

AI 6 -12 BK -1000 - Ferrule

1004301

<https://www.phoenixcontact.com/us/products/1004301>

Please be informed that the data shown in this PDF document is generated from our online catalog. Please find the complete data in the user documentation. Our general terms of use for downloads are valid.

Ferrule, Length contact range: 12 mm, sleeve length: 20 mm



The figure shows the version AI 1,5-8

Your advantages

- In terms of dimensions, they correspond to DIN 46228-4: 1990-09
- The ferrules with plastic sleeve are made from soft tin-plated electrolytic copper

Commercial data

Item number	1004301
Packing unit	1,000 pc
Minimum order quantity	1,000 pc
Sales key	BH34
Product key	BH3411
GTIN	4055626473307
Weight per piece (including packing)	0.393 g
Weight per piece (excluding packing)	0.393 g
Customs tariff number	85369010
Country of origin	DE

AI 6 -12 BK -1000 - Ferrule

1004301

<https://www.phoenixcontact.com/us/products/1004301>

Technical data

Product properties

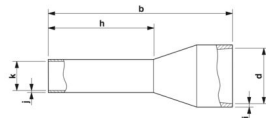
Product type	Cable end sleeve
Product property	UL certified
	Made from soft tin-plated electrolytic copper
	Correspond to the requirements of DIN 46228-4 and UL 486F in terms of size
	Plastic collar made of polypropylene
	Halogen-free
	Long/short-term temperature: +105°C/+120°C

Connection data

Conductor connection

Conductor cross-section flexible max.	6 mm ²
Conductor cross-section AWG max.	10
Stripping length	15 mm

Dimensions

Dimensional drawing	
Sleeve length	20 mm
Length contact range	12 mm
Ferrule diameter	3.5 mm
Sleeve wall thickness	0.2 mm
Insulating collar thickness	0.3 mm
Inner dimensions of the insulating collar	6.2 mm

Material specifications

Color	black (RAL 9005)
Material	CU-DHP
Flammability rating according to UL 94	HB
Coating	galvanically tin-plated
Surface characteristics	Tin-plated
Components	free from silicone and halogen

Mechanical properties

Technical data

Sleeve length	20 mm
---------------	-------

AI 6 -12 BK -1000 - Ferrule



1004301

<https://www.phoenixcontact.com/us/products/1004301>

Environmental and real-life conditions

Ambient conditions

Permanent temperature	105 °C (-40 °C no load / 0 °C dynamic load)
Short-term temperature	120 °C

Standards and regulations

Design according to standard	UL 486F-E, Sonderfarbe
------------------------------	------------------------

Drawings

Dimensional drawing



Sleeve length (b), length contact range (h), insulating collar inner dimension (d), sleeve diameter (k), insulating collar thickness (i), sleeve wall thickness (j)

AI 6 -12 BK -1000 - Ferrule



1004301

<https://www.phoenixcontact.com/us/products/1004301>

Approvals

To download certificates, visit the product detail page: <https://www.phoenixcontact.com/us/products/1004301>



cULus Listed

Approval ID: E488001

AI 6 -12 BK -1000 - Ferrule



1004301

<https://www.phoenixcontact.com/us/products/1004301>

Classifications

ECLASS

ECLASS-13.0	27400201
ECLASS-15.0	27400201

ETIM

ETIM 10.0	EC000005
-----------	----------

UNSPSC

UNSPSC 21.0	27121703
-------------	----------

AI 6 -12 BK -1000 - Ferrule



1004301

<https://www.phoenixcontact.com/us/products/1004301>

Environmental product compliance

EU RoHS

Fulfills EU RoHS substance requirements	Yes, No exemptions
---	--------------------

China RoHS

Environment friendly use period (EFUP)	EFUP-E
	No hazardous substances above the limits

EU REACH SVHC

REACH candidate substance (CAS No.)	No substance above 0.1 wt%
-------------------------------------	----------------------------

EF3.1 Climate Change

CO2e kg	0.003 kg CO2e
---------	---------------

Phoenix Contact 2026 © - all rights reserved
<https://www.phoenixcontact.com>

Phoenix Contact USA
586 Fulling Mill Road
Middletown, PA 17057, United States
(+717) 944-1300
info@phoenixcon.com