

# INJ 2103-T - Injector



1004065

<https://www.phoenixcontact.com/us/products/1004065>

Please be informed that the data shown in this PDF document is generated from our online catalog. Please find the complete data in the user documentation. Our general terms of use for downloads are valid.



PoE injector, 30 W, RJ45 jack on Push-in terminal blocks, 10/100/1000 Mbps, DIN rail mounting, IP20, potential separation, shield contacting with strain relief, shield current monitoring, surge protection

## Product description

The midspan injectors connect Ethernet devices without PoE (e.g., switches) to PoE-capable end devices (e.g., IP cameras). As power sourcing equipment (PSE), the injector supplies the required power to a powered device (PD) via the data cable. The injector and end device negotiate the electrical power requirements autonomously.

## Your advantages

- Extended temperature range of -40 °C ... +75 °C
- Fast connection of the PoE cable
- Wiring space covered with front panel cover
- Integrated surge protection to ensure high system availability
- Electrical isolation of the internal power supply unit for protection against short circuits on the PoE side
- 10/100/1000 Mbps

## Commercial data

Item number	1004065
Packing unit	1 pc
Minimum order quantity	1 pc
Sales key	DN18
Product key	DNC351
GTIN	4055626473109
Weight per piece (including packing)	464.6 g
Weight per piece (excluding packing)	324.72 g
Customs tariff number	85044083
Country of origin	DE

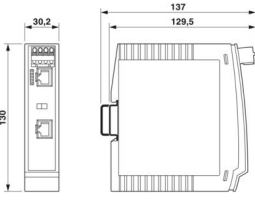
# INJ 2103-T - Injector

1004065

<https://www.phoenixcontact.com/us/products/1004065>

## Technical data

### Dimensions

Dimensional drawing	
Width	30.2 mm
Height	130 mm
Depth	120 mm

### Notes

#### Note on application

Note on application	Only for industrial use
---------------------	-------------------------

#### Utilization restriction

CCCEX note	Use in potentially explosive areas is not permitted in China.
------------	---

### Material specifications

Color (Housing)	light gray (RAL 7035)
Material (Housing)	Plastic
Flammability rating according to UL 94	V0

### Mounting

Mounting type	DIN rail mounting
Mounting position	vertical

### Interfaces

Basic functions	PSE/Midspan, compliant with IEEE 802.3af, at
-----------------	--

#### Data: Power over Ethernet

Serial transmission speed	10/100/1000 Mbps
Frequency range	125 MHz
Connection method	Push-in connection
Note on the connection method	CAT5e
No. of channels	1
Pin assignment	1:1
Transmission length	100 m (including patch cables)
Single conductor/terminal point, rigid	0.2 mm <sup>2</sup> ... 1.5 mm <sup>2</sup>
Single-wire/terminal point, flexible	0.2 mm <sup>2</sup> ... 1.5 mm <sup>2</sup>
Conductor cross-section, flexible, with ferrule, with plastic sleeve	0.25 mm <sup>2</sup> ... 1.5 mm <sup>2</sup> (only together with CRIMPFOX 6)

# INJ 2103-T - Injector



1004065

<https://www.phoenixcontact.com/us/products/1004065>

Conductor cross-section, flexible, with ferrule, without plastic sleeve	0.25 mm <sup>2</sup> ... 1.5 mm <sup>2</sup> (only together with CRIMPFOX 6)
Max. AWG conductor cross-section, flexible	16
Min. AWG conductor cross-section, flexible	26
Single-wire/terminal point, rigid AWG max.	16
Single-wire/terminal point, rigid AWG min.	26
Stripping length	8 mm
Output nominal voltage	54 V DC (PoE)
Output power	30 W
Maximum output power	40 W (UL)

## Data: Ethernet

Connection method	RJ45 jack
Note on the connection method	CAT5e

## Product properties

Product type	Injector
IEC test classification	C2
MTTF	1510 Years (SN 29500 standard, temperature 25°C, operating cycle 21%)
	661 Years (SN 29500 standard, temperature 40°C, operating cycle 34.25%)
	256 Years (SN 29500 standard, temperature 40°C, operating cycle 100%)

## Functions

Basic functions	PSE/Midspan, compliant with IEEE 802.3af, at
-----------------	--

## Security functions

Basic functions	PSE/Midspan, compliant with IEEE 802.3af, at
-----------------	--

## Electrical properties

Electrical isolation	VCC // SCM + FE // PoE
Maximum power dissipation for nominal condition	7 W (at 18 V DC)
	5 W (24 V DC ... 48 V DC)
Test voltage data interface/power supply	1.5 kV AC (50 Hz, 1 min.)

## Supply

Supply voltage range	18 V DC ... 57 V DC
Nominal supply voltage	24 V DC (SELV/PELV, restrictions for ATEX applications)
	48 V DC
Max. current consumption	2.1 A
	1.4 A (24 V DC, Ex areas in accordance with UL-HazLoc)
	0.7 A (48 V DC, Ex areas in accordance with UL-HazLoc)
Power consumption	≤ 40 W
Protective circuit	Reverse polarity protection

## Function

# INJ 2103-T - Injector



1004065

<https://www.phoenixcontact.com/us/products/1004065>

Designation	Shield current monitoring
Switch-on threshold	≥ 30 mA
Local diagnostics	Yellow LED
Precision	± 5 %
Response time	3 s
Current	≤ 2 A
Power consumption	270 mW (Shield current monitoring)

## Connection data

### Supply

Connection method	Push-in connection
Conductor cross-section, flexible, with ferrule, without plastic sleeve	0.25 mm <sup>2</sup> ... 2.5 mm <sup>2</sup>
Conductor cross-section, flexible, with ferrule, with plastic sleeve	0.25 mm <sup>2</sup> ... 2.5 mm <sup>2</sup>
Single conductor/terminal point, rigid	0.2 mm <sup>2</sup> ... 2.5 mm <sup>2</sup>
Single-wire/terminal point, flexible	0.2 mm <sup>2</sup> ... 2.5 mm <sup>2</sup>
Conductor cross-section, flexible [AWG]	20 ... 12

## Environmental and real-life conditions

### Ambient conditions

Degree of protection	IP20 (Manufacturer's declaration)
Ambient temperature (operation)	-40 °C ... 65 °C (75°C, observe derating)
Ambient temperature (storage/transport)	-40 °C ... 85 °C
Altitude	≤ 5000 m (For restrictions, see the manufacturer's declaration for altitude operation) ≤ 2000 m (Restrictions for ATEX applications)
Permissible humidity (operation)	10 % ... 95 % (non-condensing)
Air pressure (operation)	80 kPa ... 110 kPa (Restrictions for ATEX applications)

## Standards and regulations

Standards/regulations	IEC 61643-21
Standard designation	Surge protective devices in the low-voltage range, in telecommunications and signaling networks

## Approvals

### CE

Certificate	CE-compliant
-------------	--------------

### ATEX

Identification	⊕ II 3G Ex ec nC IIC T4 Gc
Certificate	PxCIF19ATEX2703011X
Note	Please follow the special installation instructions in the documentation!

### UL, USA/Canada

# INJ 2103-T - Injector



1004065

<https://www.phoenixcontact.com/us/products/1004065>

Identification	Class I, Zone 2, AEx nA IIC T4, Ex nA IIC Gc X T4 Class I, Div. 2, Groups A, B, C, D
UL, USA	
Certificate	UL 60079-0 Ed. 6 / UL 60079-15 Ed. 4
UL, Canada	
Certificate	CSA 22.2 No. 60079-0 Ed. 3 / CSA 22.2 No. 60079-15:16
Corrosive gas test	
Identification	ISA-S71.04-1985 G3 Harsh Group A

## EMC data

Electromagnetic compatibility	Conformance with EMC Directive 2014/30/EU FCC Part 15B Class A CISPR 22
-------------------------------	---

### Electrostatic discharge

Standards/regulations	EN 61000-4-2
-----------------------	--------------

### Electrostatic discharge

Contact discharge	± 6 kV (Test Level 3)
Discharge in air	± 8 kV (Test Level 3)
Indirect discharge	± 6 kV
Comments	Criterion B

### Electromagnetic HF field

Standards/regulations	EN 61000-4-3
-----------------------	--------------

### Electromagnetic HF field

Frequency range	80 MHz ... 3 GHz (Test Level 3)
Field intensity	10 V/m
Comments	Criterion A

### Fast transients (burst)

Standards/regulations	EN 61000-4-4
-----------------------	--------------

### Fast transients (burst)

Input	± 2.2 kV (1 minute)
Signal	± 2.2 kV (1 minute)
Comments	Criterion B

### Surge current load (surge)

Standards/regulations	EN 61000-4-5
-----------------------	--------------

### Surge current load (surge)

Input	± 0.5 kV
Signal	± 1 kV (Data line, asymmetrical) ± 2 kV (I/O cable on field side only, asymmetric)

# INJ 2103-T - Injector



1004065

<https://www.phoenixcontact.com/us/products/1004065>

Comments	Criterion B
Conducted interference	
Standards/regulations	EN 61000-4-6
Conducted interference	
Frequency range	0.15 MHz ... 80 MHz
Comments	Criterion A
Voltage	10 V
Emitted interference	
Standards/regulations	EN 61000-6-4
Comments	Class A, industrial applications
Emitted interference	
Standards/regulations	EN 61000-6-3
Comments	Class B, domain of use: residential and small commercial
Criteria	
Criterion A	Normal operating behavior within the specified limits.
Criterion B	Temporary impairment to operational behavior that is corrected by the device itself.

## System properties

Functionality	
Basic functions	PSE/Midspan, compliant with IEEE 802.3af, at

## Signaling

Optical representation	Yellow LED
------------------------	------------

# INJ 2103-T - Injector

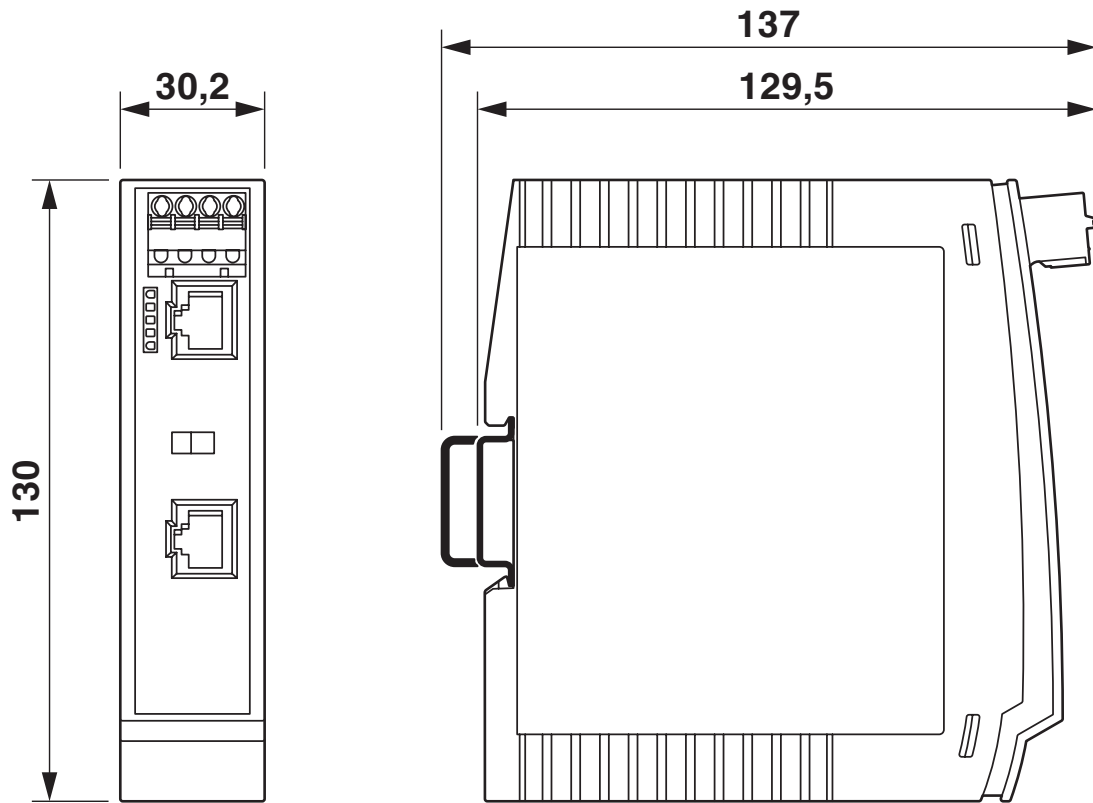
1004065

<https://www.phoenixcontact.com/us/products/1004065>



## Drawings

Dimensional drawing



Housing dimensions

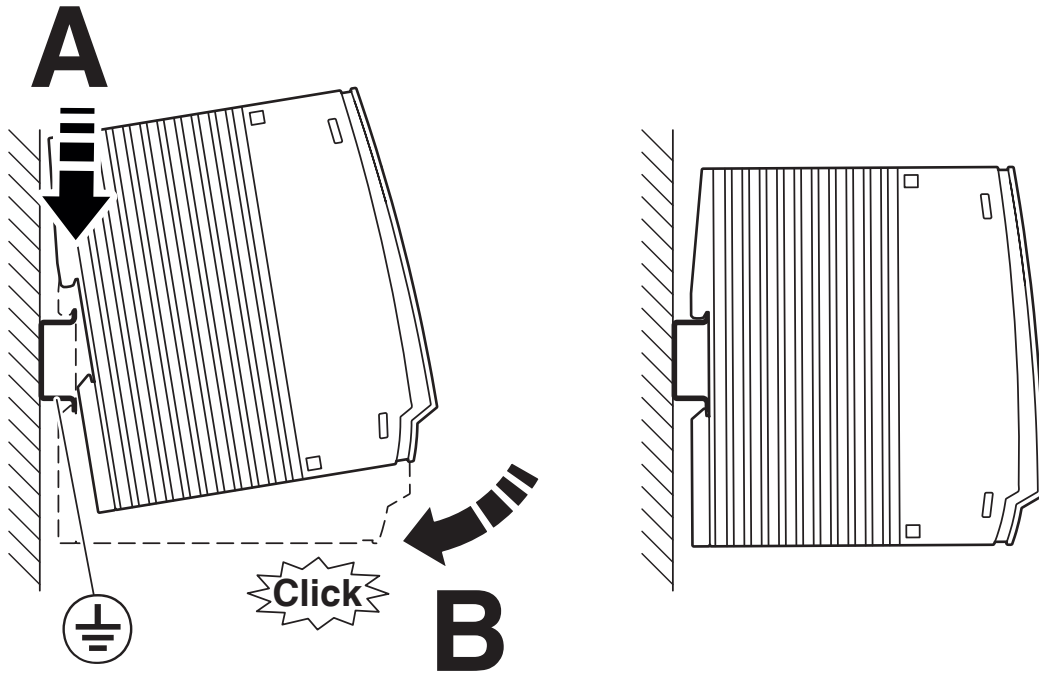
# INJ 2103-T - Injector

1004065

<https://www.phoenixcontact.com/us/products/1004065>



Schematic diagram



Mounting

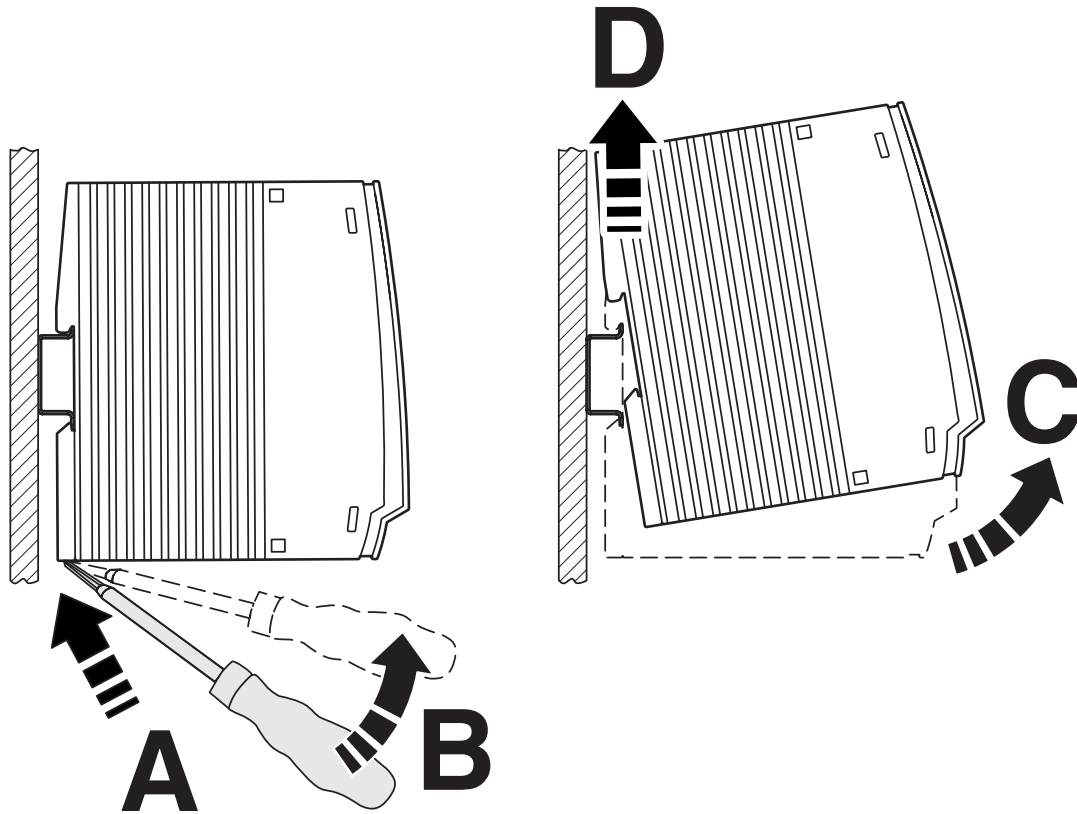
# INJ 2103-T - Injector

1004065

<https://www.phoenixcontact.com/us/products/1004065>



Schematic diagram



Removal

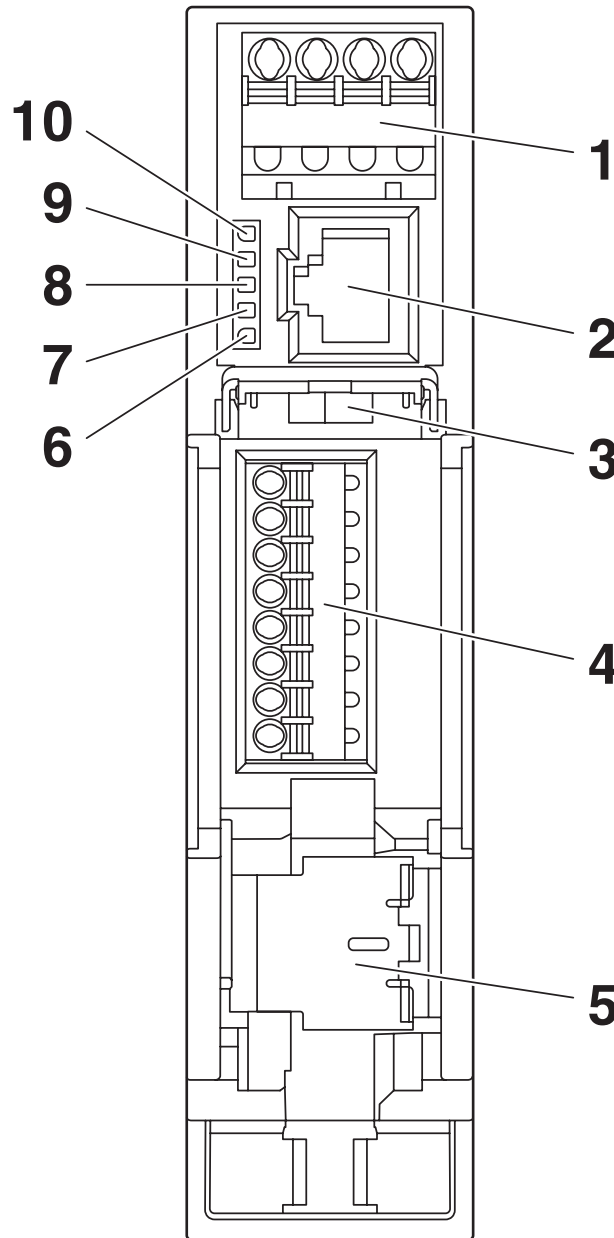
# INJ 2103-T - Injector

1004065

<https://www.phoenixcontact.com/us/products/1004065>



Schematic diagram



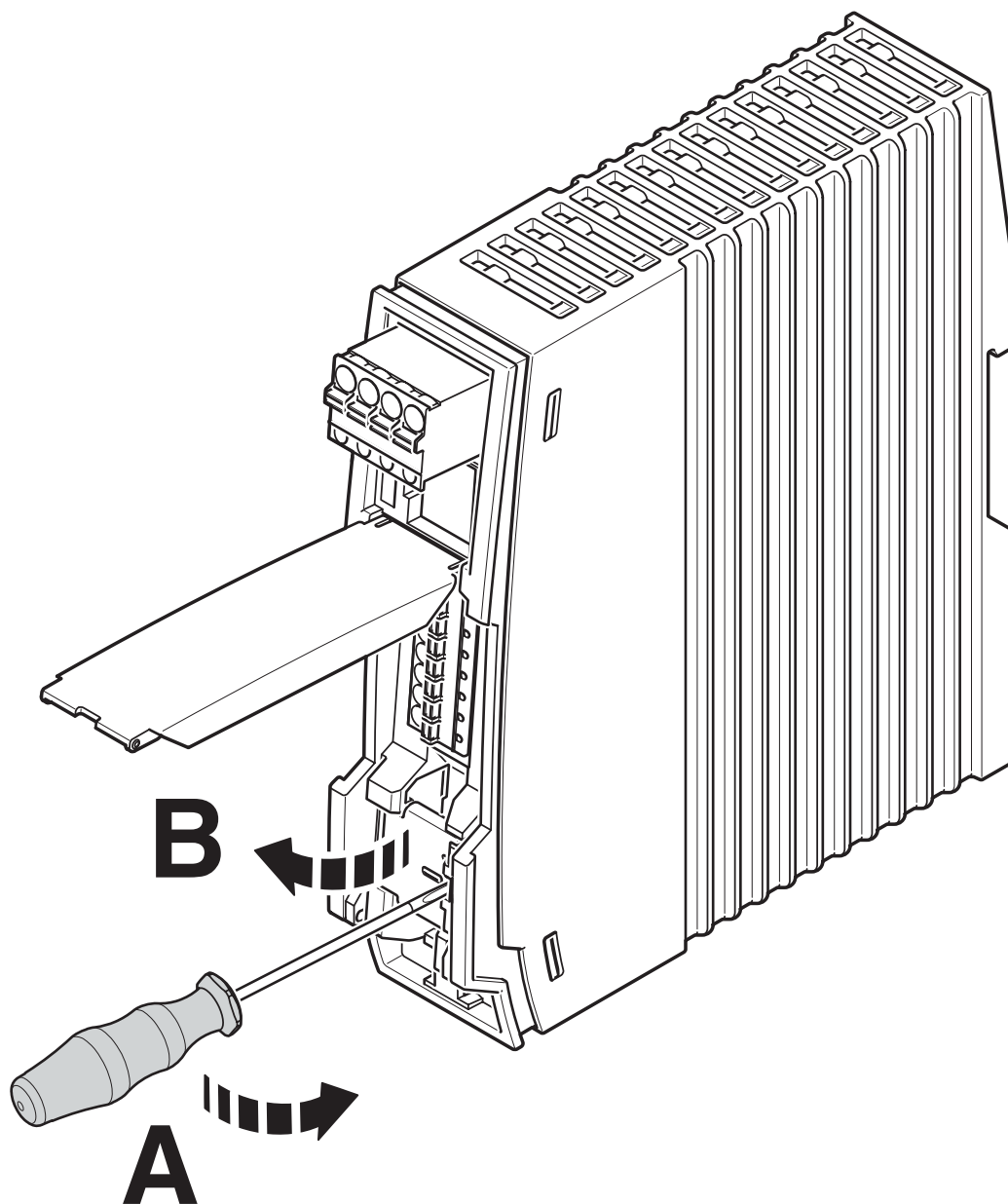
Front view

# INJ 2103-T - Injector

1004065

<https://www.phoenixcontact.com/us/products/1004065>

Schematic diagram



Open shield contact spring

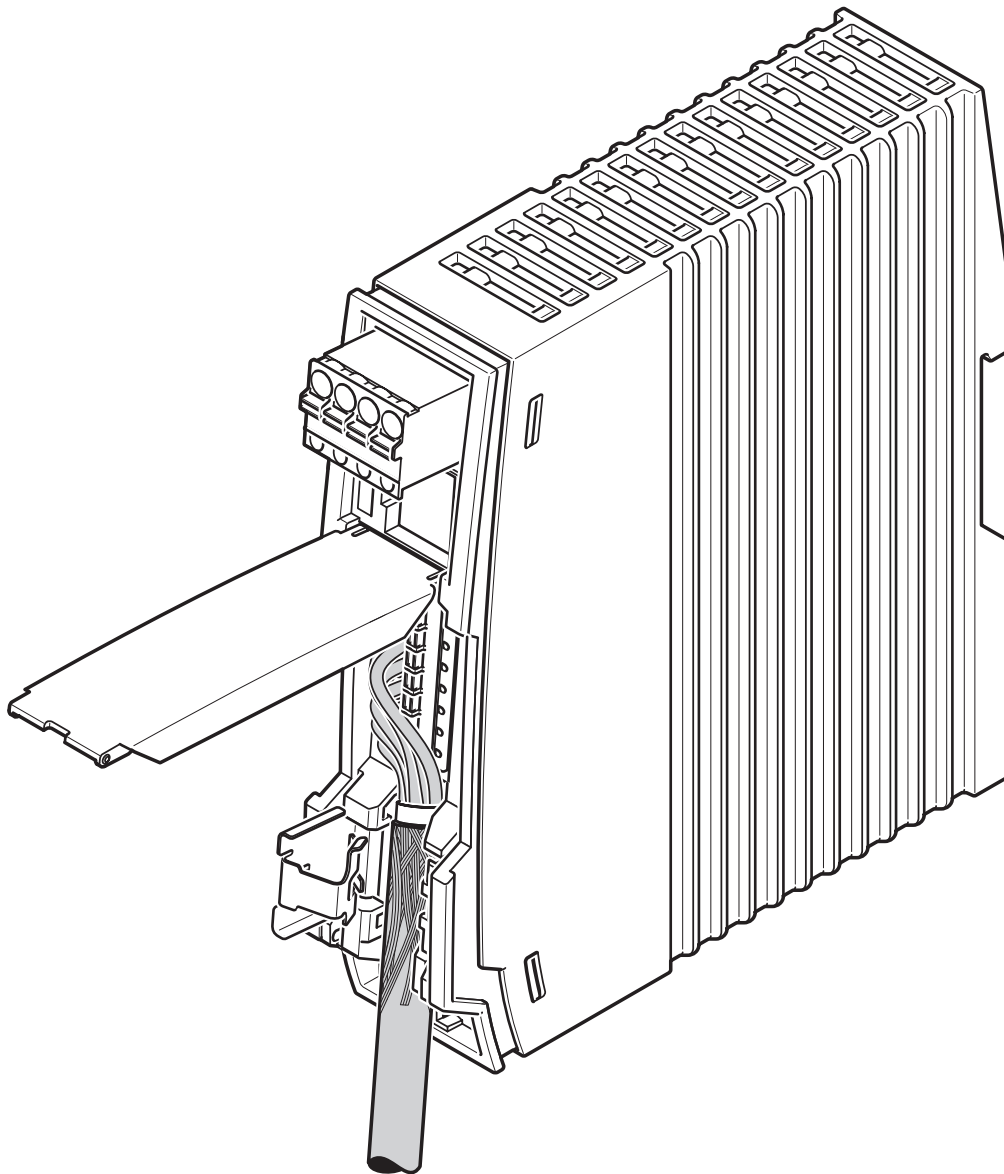
# INJ 2103-T - Injector

1004065

<https://www.phoenixcontact.com/us/products/1004065>



Schematic diagram



Inserting the cable

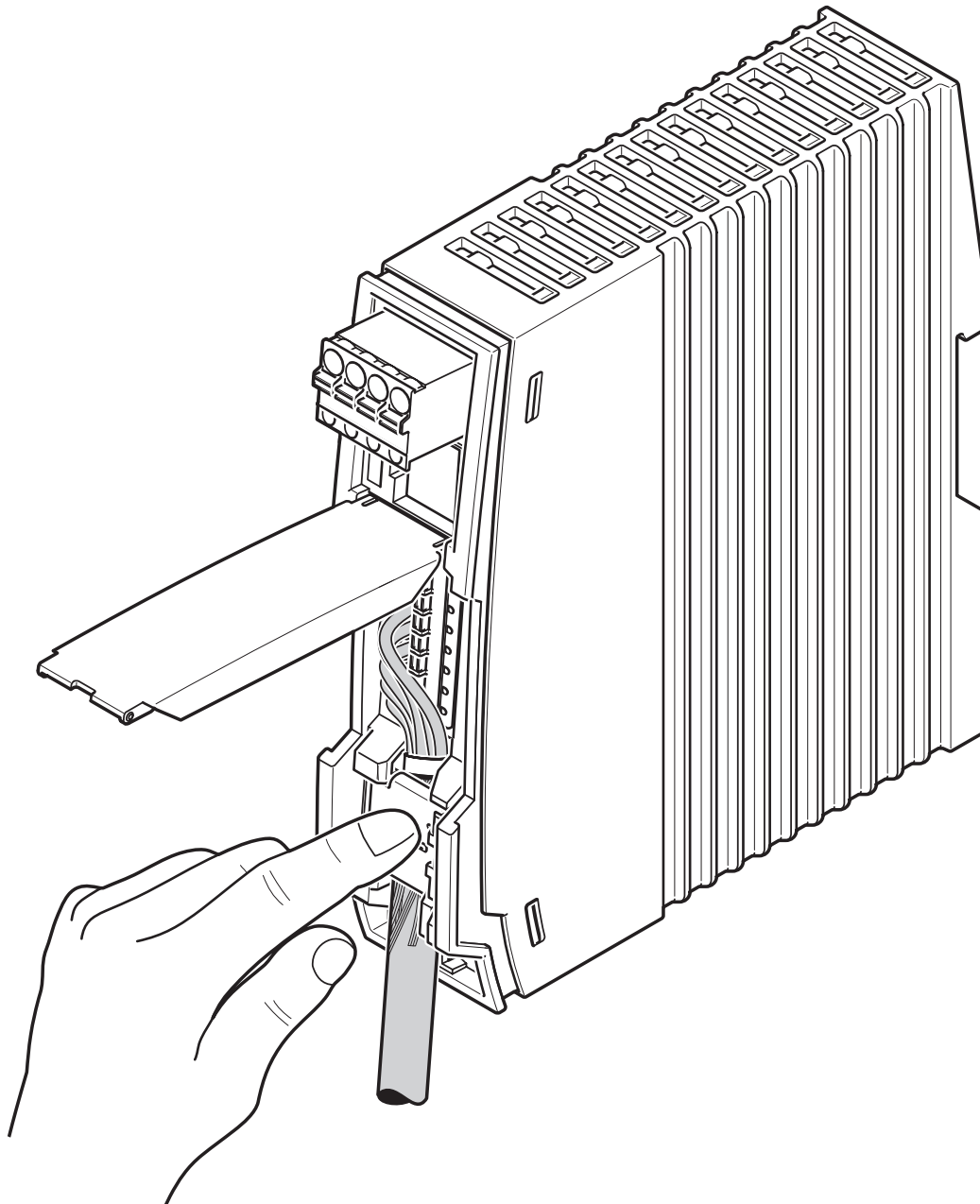
# INJ 2103-T - Injector

1004065

<https://www.phoenixcontact.com/us/products/1004065>



Schematic diagram



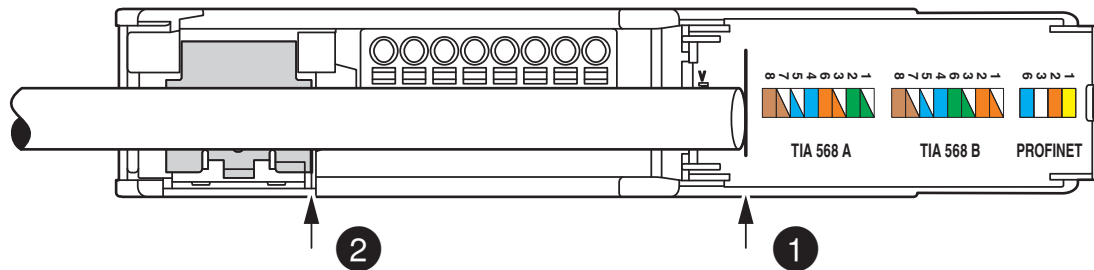
Close shield contact spring

# INJ 2103-T - Injector

1004065

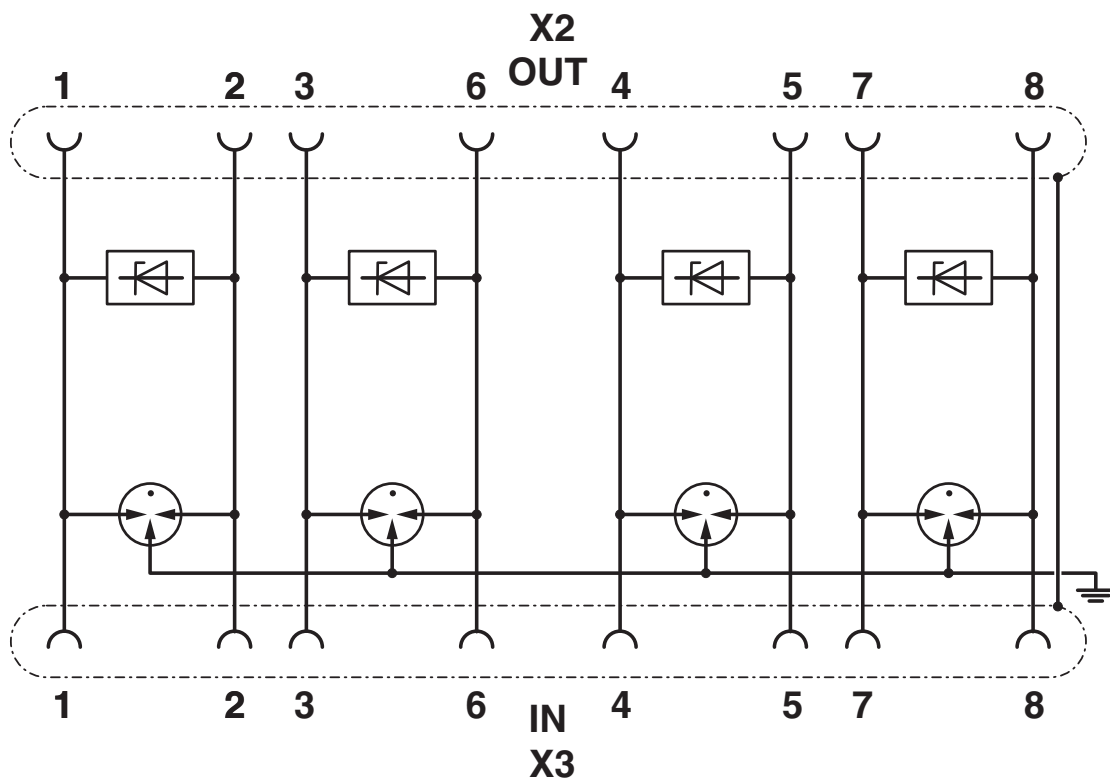
<https://www.phoenixcontact.com/us/products/1004065>

Schematic diagram



Stripping length

Circuit diagram



Circuit diagram (surge protection only)

# INJ 2103-T - Injector



1004065

<https://www.phoenixcontact.com/us/products/1004065>

## Approvals

To download certificates, visit the product detail page: <https://www.phoenixcontact.com/us/products/1004065>



**cULus Listed**

Approval ID: E238705



**cULus Listed**

Approval ID: E366272

# INJ 2103-T - Injector



1004065

<https://www.phoenixcontact.com/us/products/1004065>

## Classifications

### ECLASS

ECLASS-13.0	19170112
ECLASS-15.0	19170112

### ETIM

ETIM 10.0	EC001128
-----------	----------

### UNSPSC

UNSPSC 21.0	43223300
-------------	----------

# INJ 2103-T - Injector



1004065

<https://www.phoenixcontact.com/us/products/1004065>

## Environmental product compliance

### EU RoHS

Fulfills EU RoHS substance requirements	Yes
Exemption	6(c), 7(a), 7(c)-I

### China RoHS

Environment friendly use period (EFUP)	EFUP-50
	An article-related China RoHS declaration table can be found in the download area for the respective article under "Manufacturer declaration". For all articles with EFUP-E, no China RoHS declaration table issued and required.

### EU REACH SVHC

REACH candidate substance (CAS No.)	Lead(CAS: 7439-92-1)
SCIP	44d0d5b2-11f7-4970-85f2-a6640b144742

Phoenix Contact 2026 © - all rights reserved

<https://www.phoenixcontact.com>

Phoenix Contact USA  
586 Fulling Mill Road  
Middletown, PA 17057, United States  
(+717) 944-1300  
[info@phoenixcon.com](mailto:info@phoenixcon.com)