

SF-PZ 2-100 S-VDE PL-10 - Philips screwdriver



1003621

<https://www.phoenixcontact.com/us/products/1003621>

Please be informed that the data shown in this PDF document is generated from our online catalog. Please find the complete data in the user documentation. Our general terms of use for downloads are valid.



Screwdriver with slim design, crosshead PZ (lasered), insulation integrated in the blade, size: PZ 2 x 100, two-component handle, with non-slip grip, 10 pcs.

Your advantages

- Screwdrivers for Phillips screws with Pozidriv and Phillips Recess screw head
- VDE approval

Commercial data

Item number	1003621
Packing unit	1 pc
Minimum order quantity	1 pc
Product key	BH3146
GTIN	4055626471556
Weight per piece (including packing)	865.2 g
Weight per piece (excluding packing)	865.2 g
Country of origin	CZ

SF-PZ 2-100 S-VDE PL-10 - Philips screwdriver



1003621

<https://www.phoenixcontact.com/us/products/1003621>

Technical data

Notes

Environmental Product Compliance

California Proposition 65

Further information on California's prop. 65 is available under "Downloads" in the manufacturer's declaration

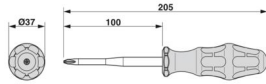
Product properties

Product type	Screwdriver tools
Type	Phillips
Type of packaging	packed in cardboard

Connection data

Output	Phillips/Pozidriv
--------	-------------------

Dimensions

Dimensional drawing	
Width	37 mm
Blade height	100 mm
Length	205 mm

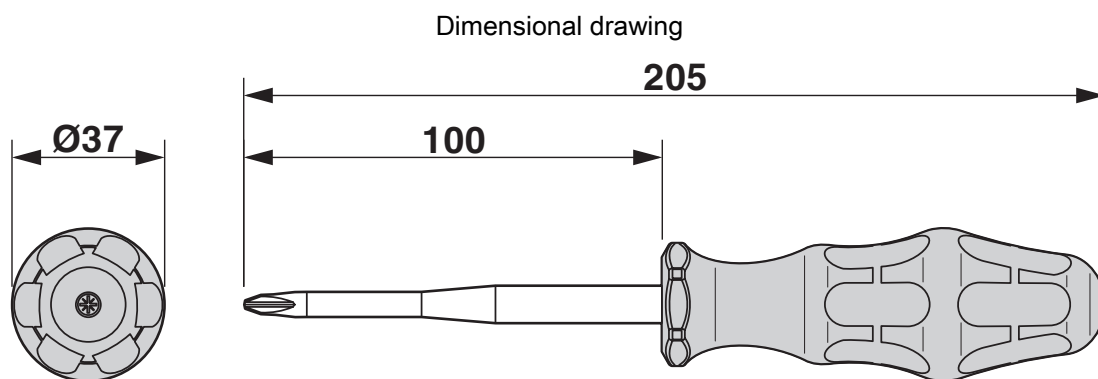
SF-PZ 2-100 S-VDE PL-10 - Philips screwdriver



1003621

<https://www.phoenixcontact.com/us/products/1003621>

Drawings



SF-PZ 2-100 S-VDE PL-10 - Philips screwdriver



1003621

<https://www.phoenixcontact.com/us/products/1003621>

Classifications

ECLASS

ECLASS-13.0	21045016
ECLASS-15.0	21045016

ETIM

ETIM 9.0	EC011815
----------	----------

UNSPSC

UNSPSC 21.0	27113200
-------------	----------

SF-PZ 2-100 S-VDE PL-10 - Philips screwdriver



1003621

<https://www.phoenixcontact.com/us/products/1003621>

Environmental product compliance

EU RoHS

Fulfills EU RoHS substance requirements	Not applicable, No electrical and electronic equipment (EEE), cannot be used in EEE
-----------------------------------------	-------------------------------------------------------------------------------------

EU REACH SVHC

REACH candidate substance (CAS No.)	No substance above 0.1 wt%
-------------------------------------	----------------------------

Phoenix Contact 2026 © - all rights reserved

<https://www.phoenixcontact.com>

Phoenix Contact USA
586 Fulling Mill Road
Middletown, PA 17057, United States
(+717) 944-1300
info@phoenixcon.com