

# V-RC/TGUM 11/KVD 11/LBL 12 - Cable connector



1000041

<https://www.phoenixcontact.com/us/products/1000041>

Please be informed that the data shown in this PDF document is generated from our online catalog. Please find the complete data in the user documentation. Our general terms of use for downloads are valid.



Cable connector, number of positions: 12, status display: no; master cable connection: M23 screw locking, shielding: no, this item is expected to be lead-free from Q2 2026 in accordance with RoHS II without exception 6c (Pb < 0.1%), a lead-free alternative is possible on request in advance. This product is in the process of being discontinued. This product must no longer be considered for new projects. Please contact your sales representative for alternatives.

## Commercial data

Item number	1000041
Packing unit	1 pc
Minimum order quantity	1 pc
Sales key	AB31
Product key	ABRAFA
GTIN	4017918399832
Weight per piece (including packing)	101.9 g
Weight per piece (excluding packing)	98.55 g
Customs tariff number	85366990
Country of origin	DE

# V-RC/TGUM 11/KVD 11/LBL 12 - Cable connector



1000041

<https://www.phoenixcontact.com/us/products/1000041>

## Technical data

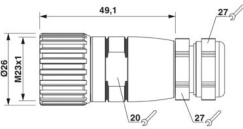
### Notes

Notes on operation	The connector is designed for use on sensor/actuator boxes with an M23 plug-in connection.
--------------------	--

### Product properties

Product type	Circular connector (cable-side)
Number of positions	12

### Dimensions

Dimensional drawing	
Width	26 mm
Height	26 mm
Length	69 mm

### Material specifications

Material Housing	GD-Zn
Flammability rating according to UL 94	V0

### Connection data

#### Connection assignment

Slot/position = Wire color or connection	1 / 4 (A) = 1 = WH
	2 / 4 (A) = 2 = GN
	3 / 4 (A) = 3 = YE
	4 / 4 (A) = 4 = GY
	5 / 4 (A) = 5 = PK
	6 / 4 (A) = 6 = RD
	7 / 4 (A) = 7 = BK
	8 / 4 (A) = 8 = VT
	1-8 / 1 (+ 120 V) = 11 = BN
	1-8 / 3 (0 V) = 9+10 = BU
	1-8 / 5 (PE) = 12 = GNYE

### Electrical properties

Nominal voltage $U_N$	150 V
Rated current, total	8 A (with 1 mm <sup>2</sup> conductor cross-section)

### Connector

# V-RC/TGUM 11/KVD 11/LBL 12 - Cable connector



1000041

<https://www.phoenixcontact.com/us/products/1000041>

## Connection 2

Head design	Socket
Head cable outlet	straight
Head thread type	M23

## Insulating body

Coding	N
Material (Insulating body)	PBT
Material (Contact)	CuZn
Material (Contact surface)	Ni/Au
Insertion/withdrawal cycles	50
Connection method	Solder cup
Contact switching type	Socket
Application	Signal
Number of positions	12
Direction of rotation	Standard
Connection profile	12
Number (Contact group 1)	12
Contact diameter (Contact group 1)	1 mm
Litz wires Min. cross section (Contact group 1)	0.08 mm <sup>2</sup>
Litz wires Max. cross section (Contact group 1)	1 mm <sup>2</sup>
Rated current Contact (Contact group 1)	8 A (for max. connection cross section)
Rated voltage Contact (Contact group 1)	48 V AC 74 V DC
Rated surge voltage	1.5 kV
Overvoltage category	III
Degree of pollution	3

## Cable/line

External cable diameter	8 mm ... 12 mm
Connection method	M23 screw locking

## Environmental and real-life conditions

### Ambient conditions

Degree of protection	IP65 IP67
Ambient temperature (operation)	-20 °C ... 80 °C

# V-RC/TGUM 11/KVD 11/LBL 12 - Cable connector

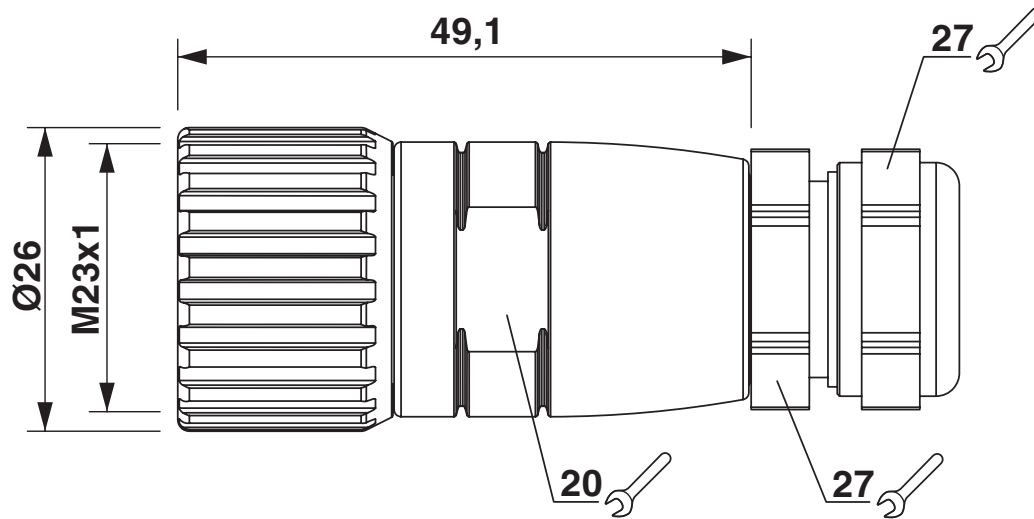


1000041

<https://www.phoenixcontact.com/us/products/1000041>

## Drawings

Dimensional drawing



Dimensional drawing

1000041

<https://www.phoenixcontact.com/us/products/1000041>

Schematic diagram



Connector pin assignment

1000041

<https://www.phoenixcontact.com/us/products/1000041>

Schematic diagram



Dimensional drawing

1000041

<https://www.phoenixcontact.com/us/products/1000041>

## Classifications

### ECLASS

ECLASS-13.0	27440116
ECLASS-15.0	27440116

### ETIM

ETIM 10.0	EC002635
-----------	----------

### UNSPSC

UNSPSC 21.0	39121400
-------------	----------

1000041

<https://www.phoenixcontact.com/us/products/1000041>

## Environmental product compliance

### EU RoHS

Fulfills EU RoHS substance requirements	Yes
Exemption	6(c)

### China RoHS

Environment friendly use period (EFUP)	EFUP-50
	An article-related China RoHS declaration table can be found in the download area for the respective article under "Manufacturer declaration". For all articles with EFUP-E, no China RoHS declaration table issued and required.

### EU REACH SVHC

REACH candidate substance (CAS No.)	Lead(CAS: 7439-92-1)
SCIP	008ba455-c7a7-4dbc-b158-1057109a88b4

Phoenix Contact 2026 © - all rights reserved  
<https://www.phoenixcontact.com>

Phoenix Contact USA  
586 Fulling Mill Road  
Middletown, PA 17057, United States  
(+717) 944-1300  
[info@phoenixcon.com](mailto:info@phoenixcon.com)