

# TMC 1 F1 200 12,0A - Thermal-magnetic device circuit breaker



0914358

<https://www.phoenixcontact.com/us/products/0914358>

Please be informed that the data shown in this PDF document is generated from our online catalog. Please find the complete data in the user documentation. Our general terms of use for downloads are valid.



Thermal-magnetic circuit breaker, 1-pos., fast blow, 1 N/C contact, with universal foot for mounting on NS 32 or NS 35

## Commercial data

Item number	0914358
Packing unit	1 pc
Note	Made to order (non-returnable)
Sales key	CL04
Product key	CLA121
GTIN	4017918009038
Weight per piece (including packing)	65.37 g
Weight per piece (excluding packing)	65.37 g
Customs tariff number	85362010
Country of origin	DE

# TMC 1 F1 200 12,0A - Thermal-magnetic device circuit breaker



0914358

<https://www.phoenixcontact.com/us/products/0914358>

## Technical data

### Product properties

Product type	Thermomagnetic device circuit breakers
Product family	TMC
Type	DIN rail module, one-piece
Number of positions	1
Number of connections	4
Number of rows	2

### Insulation characteristics

Overvoltage category	II
Degree of pollution	2

### Electrical properties

Fuse type	Automatic device
-----------	------------------

### General

Rated voltage	65 V DC
Rated current $I_N$	12 A
Rated surge voltage	2.5 kV
Insulation resistance $R_{iso}$	> 100 M $\Omega$ (500 V DC)
Auxiliary circuit	240 V AC / 1 A (Low-induction) 65 V AC / 1 A (Low-induction)
Tripping method	TM (thermal-magnetic)
Device resistance	0.02 $\Omega$
Rated short-circuit switching capacity $I_{cn}$	2500 A (32 V DC)
Short-circuit switching capacity	2000 A (UL 1077: 65 V DC)
Dielectric strength	3000 V AC (Actuation area) 3000 V AC (Main to auxiliary circuit)
Switching cycles, max.	10000 (At $1 \times I_N$ , inductive)
Fuse	F1 (fast blow)
Contact switching type	1 N/C contact

### Connection data

#### Main contact

Connection method	Screw connection
Screw thread	M3
Tightening torque	0.6 ... 0.8 Nm
Stripping length	12 mm
Internal cylindrical gage	A3
Conductor cross-section rigid	0.2 mm <sup>2</sup> ... 6 mm <sup>2</sup>

# TMC 1 F1 200 12,0A - Thermal-magnetic device circuit breaker



0914358

<https://www.phoenixcontact.com/us/products/0914358>

Cross section AWG	24 ... 10 (converted acc. to IEC)
Conductor cross-section flexible	0.2 mm <sup>2</sup> ... 4 mm <sup>2</sup>
Conductor cross-section flexible (ferrule without plastic sleeve)	0.25 mm <sup>2</sup> ... 4 mm <sup>2</sup>
Flexible conductor cross-section (ferrule with plastic sleeve)	0.25 mm <sup>2</sup> ... 2.5 mm <sup>2</sup>
2 conductors with same cross section, rigid	0.2 mm <sup>2</sup> ... 0.75 mm <sup>2</sup>
2 conductors with same cross section, flexible	0.2 mm <sup>2</sup> ... 0.75 mm <sup>2</sup>
2 conductors with same cross section, flexible, with ferrule without plastic sleeve	0.25 mm <sup>2</sup> ... 1 mm <sup>2</sup>
2 conductors with the same cross section, flexible, with TWIN ferrule with plastic sleeve	0.5 mm <sup>2</sup> ... 2.5 mm <sup>2</sup>
Nominal current	12 A

## Auxiliary contact

Connection method	Screw connection
Screw thread	M3
Tightening torque	0.6 ... 0.8 Nm
Stripping length	12 mm
Internal cylindrical gage	A1
Conductor cross-section rigid	0.2 mm <sup>2</sup> ... 2.5 mm <sup>2</sup>
Cross section AWG	24 ... 14 (converted acc. to IEC)
Conductor cross-section flexible	0.2 mm <sup>2</sup> ... 1.5 mm <sup>2</sup>
Conductor cross-section flexible (ferrule without plastic sleeve)	0.25 mm <sup>2</sup> ... 2.5 mm <sup>2</sup>
Flexible conductor cross-section (ferrule with plastic sleeve)	0.25 mm <sup>2</sup> ... 1.5 mm <sup>2</sup>
2 conductors with same cross section, rigid	0.2 m <sup>2</sup> ... 0.75 m <sup>2</sup>
2 conductors with same cross section, flexible	0.2 m <sup>2</sup> ... 0.75 mm <sup>2</sup>
2 conductors with same cross section, flexible, with ferrule without plastic sleeve	0.25 mm <sup>2</sup> ... 0.5 mm <sup>2</sup>
2 conductors with the same cross section, flexible, with TWIN ferrule with plastic sleeve	0.5 mm <sup>2</sup> ... 0.75 mm <sup>2</sup>

## Dimensions

Dimensional drawing	
Width	12.5 mm
Height	82.5 mm
Depth	96 mm

## Material specifications

Flammability rating according to UL 94	V-2
--	-----

# TMC 1 F1 200 12,0A - Thermal-magnetic device circuit breaker



0914358

<https://www.phoenixcontact.com/us/products/0914358>

Insulating material group	II
Insulating material	PA66

## Mechanical properties

### Mechanical data

Open side panel	No
-----------------	----

## Environmental and real-life conditions

### Ambient conditions

Degree of protection	IP30 (Actuation area)
	IP20 (Connection area)
Ambient temperature (operation)	-30 °C ... 60 °C
Humidity test	240 h, 95 % RH, 40 °C

## Standards and regulations

Standards/specifications	EN 60934
Standards/specifications	UL 1077

## Mounting

Mounting type	DIN rail: 35 mm
---------------	-----------------

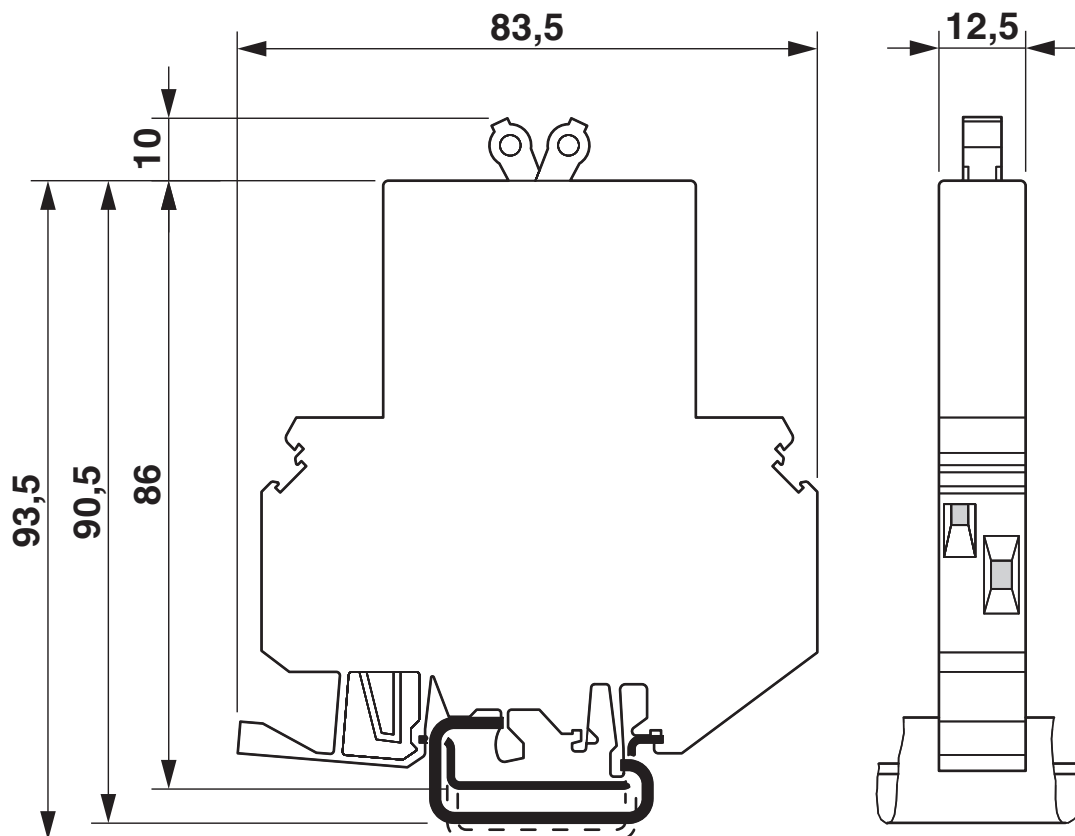
# TMC 1 F1 200 12,0A - Thermal-magnetic device circuit breaker

0914358

<https://www.phoenixcontact.com/us/products/0914358>

## Drawings

Dimensional drawing



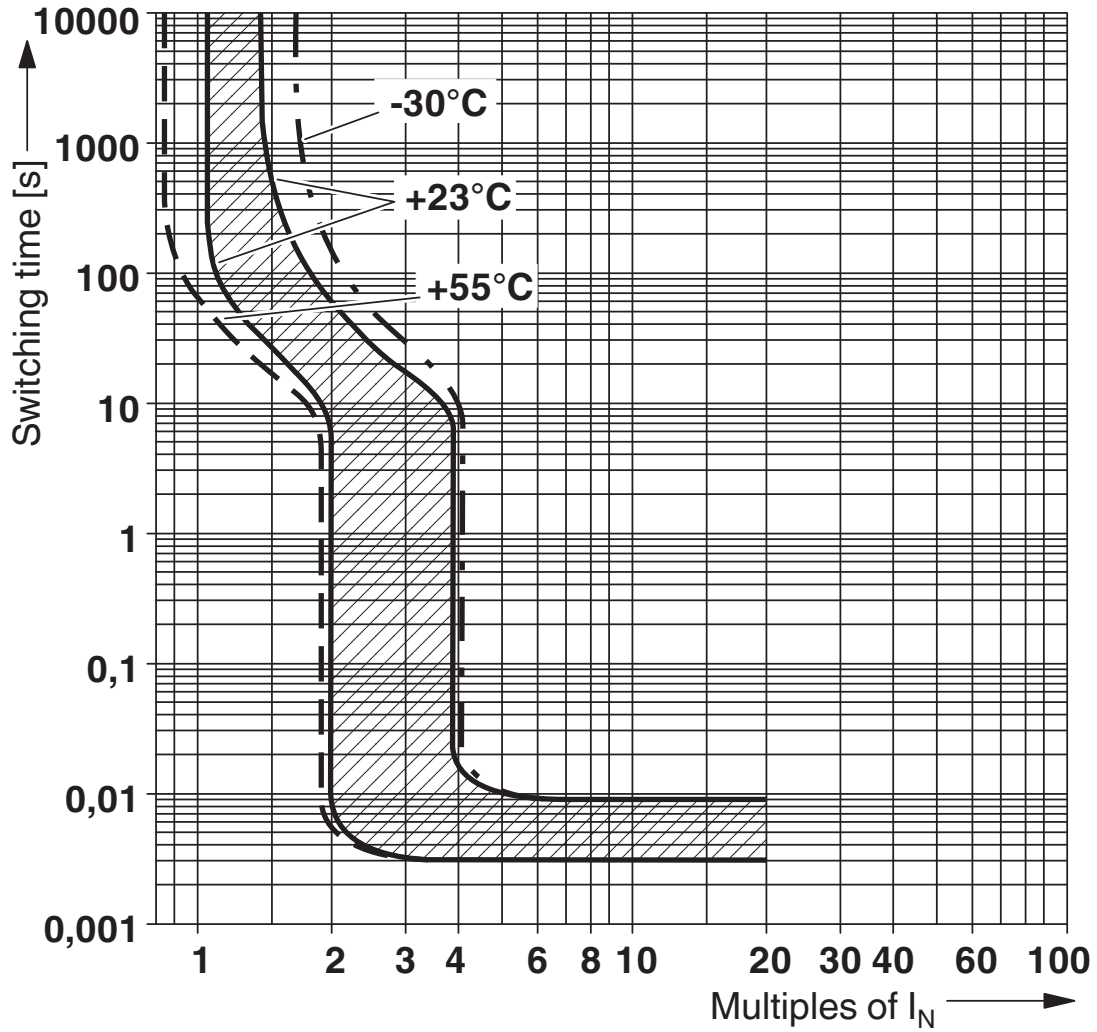
# TMC 1 F1 200 12,0A - Thermal-magnetic device circuit breaker



0914358

<https://www.phoenixcontact.com/us/products/0914358>

Diagram



Phoenix Contact 2026 © - all rights reserved  
<https://www.phoenixcontact.com>

Phoenix Contact USA  
586 Fulling Mill Road  
Middletown, PA 17057, United States  
(+717) 944-1300  
[info@phoenixcon.com](mailto:info@phoenixcon.com)