

# TMC 1 F1 200 0,2A - Thermal-magnetic device circuit breaker



0914196

<https://www.phoenixcontact.com/us/products/0914196>

Please be informed that the data shown in this PDF document is generated from our online catalog. Please find the complete data in the user documentation. Our general terms of use for downloads are valid.



Thermal-magnetic circuit breaker, 1-pos., fast blow, 1 N/C contact, with universal foot for mounting on NS 32 or NS 35

## Commercial data

Item number	0914196
Packing unit	6 pc
Minimum order quantity	1 pc
Sales key	CL04
Product key	CLA121
GTIN	4017918008871
Weight per piece (including packing)	68.85 g
Weight per piece (excluding packing)	68.15 g
Customs tariff number	85362010
Country of origin	DE

# TMC 1 F1 200 0,2A - Thermal-magnetic device circuit breaker



0914196

<https://www.phoenixcontact.com/us/products/0914196>

## Technical data

### Product properties

Product type	Thermomagnetic device circuit breakers
Product family	TMC
Type	DIN rail module, one-piece
Number of positions	1
Number of connections	4
Number of rows	2
No. of channels	1

### Insulation characteristics

Overvoltage category	II
Degree of pollution	2

### Electrical properties

Fuse type	Automatic device
-----------	------------------

### General

Rated voltage	65 V DC
Rated current $I_N$	0.2 A
Rated surge voltage	2.5 kV
Insulation resistance $R_{iso}$	> 100 M $\Omega$ (500 V DC)
Auxiliary circuit	240 V AC / 1 A (Low-induction) 65 V AC / 1 A (Low-induction)
Tripping method	TM (thermal-magnetic)
Device resistance	39.3 $\Omega$
Rated short-circuit switching capacity $I_{cn}$	2500 A (32 V DC)
Short-circuit switching capacity	2000 A (UL 1077: 65 V DC)
Dielectric strength	3000 V AC (Actuation area) 3000 V AC (Main to auxiliary circuit)
Switching cycles, max.	10000 (At $1 \times I_N$ , inductive)
Fuse	F1 (fast blow)
Contact switching type	1 N/C contact

### Indicator/remote signaling

Connection name	Auxiliary contact
Operating voltage	250 V AC 65 V DC
Operating current	0.2 A AC (Low-induction)

### Connection data

#### Main contact

Connection method	Screw connection
-------------------	------------------

# TMC 1 F1 200 0,2A - Thermal-magnetic device circuit breaker



0914196

<https://www.phoenixcontact.com/us/products/0914196>

Screw thread	M3
Tightening torque	0.6 ... 0.8 Nm
Stripping length	12 mm
Internal cylindrical gage	A3
Conductor cross-section rigid	0.2 mm <sup>2</sup> ... 6 mm <sup>2</sup>
Cross section AWG	24 ... 10 (converted acc. to IEC)
Conductor cross-section flexible	0.2 mm <sup>2</sup> ... 4 mm <sup>2</sup>
Conductor cross-section flexible (ferrule without plastic sleeve)	0.25 mm <sup>2</sup> ... 4 mm <sup>2</sup>
Flexible conductor cross-section (ferrule with plastic sleeve)	0.25 mm <sup>2</sup> ... 2.5 mm <sup>2</sup>
2 conductors with same cross section, rigid	0.2 mm <sup>2</sup> ... 0.75 mm <sup>2</sup>
2 conductors with same cross section, flexible	0.2 mm <sup>2</sup> ... 0.75 mm <sup>2</sup>
2 conductors with same cross section, flexible, with ferrule without plastic sleeve	0.25 mm <sup>2</sup> ... 1 mm <sup>2</sup>
2 conductors with the same cross section, flexible, with TWIN ferrule with plastic sleeve	0.5 mm <sup>2</sup> ... 2.5 mm <sup>2</sup>
Nominal current	0.2 A

## Auxiliary contact

Connection method	Screw connection
Screw thread	M3
Tightening torque	0.6 ... 0.8 Nm
Stripping length	12 mm
Internal cylindrical gage	A1
Conductor cross-section rigid	0.2 mm <sup>2</sup> ... 2.5 mm <sup>2</sup>
Cross section AWG	24 ... 14 (converted acc. to IEC)
Conductor cross-section flexible	0.2 mm <sup>2</sup> ... 1.5 mm <sup>2</sup>
Conductor cross-section flexible (ferrule without plastic sleeve)	0.25 mm <sup>2</sup> ... 2.5 mm <sup>2</sup>
Flexible conductor cross-section (ferrule with plastic sleeve)	0.25 mm <sup>2</sup> ... 1.5 mm <sup>2</sup>
2 conductors with same cross section, rigid	0.2 m <sup>2</sup> ... 0.75 m <sup>2</sup>
2 conductors with same cross section, flexible	0.2 m <sup>2</sup> ... 0.75 mm <sup>2</sup>
2 conductors with same cross section, flexible, with ferrule without plastic sleeve	0.25 mm <sup>2</sup> ... 0.5 mm <sup>2</sup>
2 conductors with the same cross section, flexible, with TWIN ferrule with plastic sleeve	0.5 mm <sup>2</sup> ... 0.75 mm <sup>2</sup>

## Main contact

Connection method	Screw connection
Screw thread	M3
Tightening torque	0.6 Nm ... 0.8 Nm
Stripping length	12 mm
Conductor cross-section flexible	0.2 mm <sup>2</sup> ... 4 mm <sup>2</sup>
Conductor cross-section rigid	0.2 mm <sup>2</sup> ... 6 mm <sup>2</sup>
Conductor cross-section AWG	24 ... 10
2 conductors with the same cross section, flexible, with TWIN ferrule with plastic sleeve	0.5 mm <sup>2</sup> ... 2.5 mm <sup>2</sup>
Conductor cross-section, flexible, with ferrule, with plastic sleeve	0.25 mm <sup>2</sup> ... 2.5 mm <sup>2</sup>

# TMC 1 F1 200 0,2A - Thermal-magnetic device circuit breaker

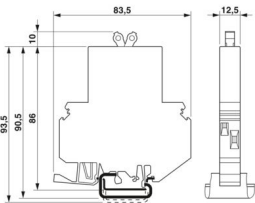


0914196

<https://www.phoenixcontact.com/us/products/0914196>

Conductor cross-section, flexible, with ferrule, without plastic sleeve	0.25 mm <sup>2</sup> ... 4 mm <sup>2</sup>
<b>Auxiliary contact</b>	
Connection method	Screw connection
Screw thread	M3
Tightening torque	0.6 Nm ... 0.8 Nm
Stripping length	12 mm
Conductor cross-section flexible	0.2 mm <sup>2</sup> ... 1.5 mm <sup>2</sup>
Conductor cross-section rigid	0.2 mm <sup>2</sup> ... 2.5 mm <sup>2</sup>
Conductor cross-section AWG	24 ... 14
Conductor cross-section, flexible, with ferrule, with plastic sleeve	0.25 mm <sup>2</sup> ... 1.5 mm <sup>2</sup>
Conductor cross-section, flexible, with ferrule, without plastic sleeve	0.25 mm <sup>2</sup> ... 2.5 mm <sup>2</sup>

## Dimensions

Dimensional drawing	
Width	12.5 mm
Height	82.5 mm
Depth	96 mm

## Material specifications

Color	black (RAL 9005)
Flammability rating according to UL 94	V-2
Insulating material group	II
Insulating material	PA66

## Mechanical properties

### Mechanical data

Open side panel	No
-----------------	----

## Environmental and real-life conditions

### Ambient conditions

Degree of protection	IP30 (Actuation area) IP20 (Connection area)
Ambient temperature (operation)	-30 °C ... 60 °C
Humidity test	240 h, 95 % RH, 40 °C

# TMC 1 F1 200 0,2A - Thermal-magnetic device circuit breaker



0914196

<https://www.phoenixcontact.com/us/products/0914196>

## Standards and regulations

Standards/specifications	EN 60934
Standards/specifications	UL 1077

## Mounting

Mounting type	DIN rail: 35 mm
---------------	-----------------

# TMC 1 F1 200 0,2A - Thermal-magnetic device circuit breaker



0914196

<https://www.phoenixcontact.com/us/products/0914196>

## Drawings

Dimensional drawing



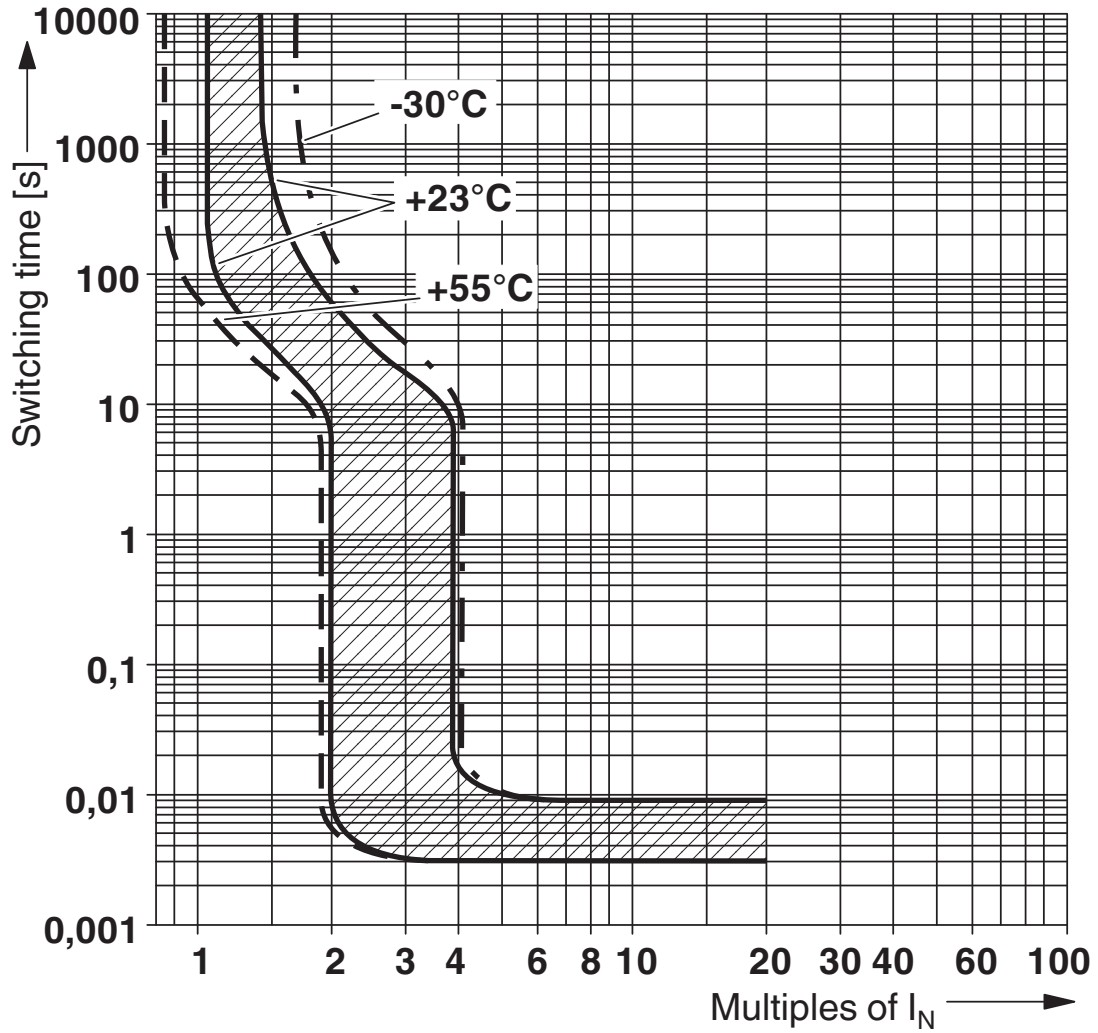
# TMC 1 F1 200 0,2A - Thermal-magnetic device circuit breaker



0914196

<https://www.phoenixcontact.com/us/products/0914196>

Diagram



# TMC 1 F1 200 0,2A - Thermal-magnetic device circuit breaker



0914196

<https://www.phoenixcontact.com/us/products/0914196>

## Approvals

To download certificates, visit the product detail page: <https://www.phoenixcontact.com/us/products/0914196>



**CSA**

Approval ID: 074317



**UL Recognized**

Approval ID: FILE E 140459



**VDE Zeichengenehmigung**

Approval ID: 40029348

**UAE-RoHS**

Approval ID: 23-10-88786

# TMC 1 F1 200 0,2A - Thermal-magnetic device circuit breaker



0914196

<https://www.phoenixcontact.com/us/products/0914196>

## Classifications

### ECLASS

ECLASS-13.0	27140401
ECLASS-15.0	27140401

### ETIM

ETIM 10.0	EC003538
-----------	----------

### UNSPSC

UNSPSC 21.0	39121400
-------------	----------

# TMC 1 F1 200 0,2A - Thermal-magnetic device circuit breaker



0914196

<https://www.phoenixcontact.com/us/products/0914196>

## Environmental product compliance

### EU RoHS

Fulfills EU RoHS substance requirements	Yes
Exemption	6(c)

### China RoHS

Environment friendly use period (EFUP)	EFUP-25
	An article-related China RoHS declaration table can be found in the download area for the respective article under "Manufacturer declaration". For all articles with EFUP-E, no China RoHS declaration table issued and required.

### EU REACH SVHC

REACH candidate substance (CAS No.)	Lead(CAS: 7439-92-1)
SCIP	a5ba4edc-7847-4a08-b79e-50cc8e1307ae

Phoenix Contact 2026 © - all rights reserved

<https://www.phoenixcontact.com>

Phoenix Contact USA  
586 Fulling Mill Road  
Middletown, PA 17057, United States  
(+717) 944-1300  
[info@phoenixcon.com](mailto:info@phoenixcon.com)