

# TMC 1 F1 100 10,0A - Thermal-magnetic device circuit breaker



0914167

<https://www.phoenixcontact.com/us/products/0914167>

Please be informed that the data shown in this PDF document is generated from our online catalog. Please find the complete data in the user documentation. Our general terms of use for downloads are valid.



Thermal-magnetic device circuit breaker, 1-position, connection method: Screw connection, nominal current: 10 A, tripping characteristic: F1 (fast blow), fuse type: Automatic device, mounting type: DIN rail: 35 mm, rated current: 10 A

## Commercial data

Item number	0914167
Packing unit	1 pc
Minimum order quantity	1 pc
Note	Made to order (non-returnable)
Sales key	CL04
Product key	CLA121
GTIN	4017918008840
Weight per piece (including packing)	65.05 g
Weight per piece (excluding packing)	65.05 g
Customs tariff number	85362010
Country of origin	DE

# TMC 1 F1 100 10,0A - Thermal-magnetic device circuit breaker



0914167

<https://www.phoenixcontact.com/us/products/0914167>

## Technical data

### Product properties

Product type	Thermomagnetic device circuit breakers
Product family	TMC
Type	DIN rail module, one-piece
Number of positions	1
Number of connections	4
Number of rows	2
No. of channels	1

### Insulation characteristics

Overvoltage category	II
Degree of pollution	2

### Electrical properties

Fuse type	Automatic device
-----------	------------------

### General

Rated voltage	65 V DC
Rated current $I_N$	10 A
Rated surge voltage	2.5 kV
Insulation resistance $R_{iso}$	> 100 M $\Omega$ (500 V DC)
Auxiliary circuit	240 V AC / 1 A (Low-induction) 65 V AC / 1 A (Low-induction)
Tripping method	TM (thermal-magnetic)
Device resistance	0.022 $\Omega$
Rated short-circuit switching capacity $I_{cn}$	2500 A (32 V DC)
Short-circuit switching capacity	2000 A (UL 1077: 65 V DC)
Dielectric strength	3000 V AC (Actuation area) 3000 V AC (Main to auxiliary circuit)
Switching cycles, max.	10000 (At $1 \times I_N$ , inductive)
Fuse	F1 (fast blow)
Contact switching type	1 N/O contact

### Indicator/remote signaling

Connection name	Auxiliary contact
Operating voltage	240 V AC 65 V DC
Operating current	10 A AC (Low-induction)

### Connection data

#### Main contact

# TMC 1 F1 100 10,0A - Thermal-magnetic device circuit breaker



0914167

<https://www.phoenixcontact.com/us/products/0914167>

Connection method	Screw connection
Screw thread	M3
Tightening torque	0.6 ... 0.8 Nm
Stripping length	12 mm
Internal cylindrical gage	A3
Conductor cross-section rigid	0.2 mm <sup>2</sup> ... 6 mm <sup>2</sup>
Cross section AWG	24 ... 10 (converted acc. to IEC)
Conductor cross-section flexible	0.2 mm <sup>2</sup> ... 4 mm <sup>2</sup>
Conductor cross-section flexible (ferrule without plastic sleeve)	0.25 mm <sup>2</sup> ... 4 mm <sup>2</sup>
Flexible conductor cross-section (ferrule with plastic sleeve)	0.25 mm <sup>2</sup> ... 2.5 mm <sup>2</sup>
2 conductors with same cross section, rigid	0.2 mm <sup>2</sup> ... 0.75 mm <sup>2</sup>
2 conductors with same cross section, flexible	0.2 mm <sup>2</sup> ... 0.75 mm <sup>2</sup>
2 conductors with same cross section, flexible, with ferrule without plastic sleeve	0.25 mm <sup>2</sup> ... 1 mm <sup>2</sup>
2 conductors with the same cross section, flexible, with TWIN ferrule with plastic sleeve	0.5 mm <sup>2</sup> ... 2.5 mm <sup>2</sup>
Nominal current	10 A

## Auxiliary contact

Connection method	Screw connection
Screw thread	M3
Tightening torque	0.6 ... 0.8 Nm
Stripping length	12 mm
Internal cylindrical gage	A1
Conductor cross-section rigid	0.2 mm <sup>2</sup> ... 2.5 mm <sup>2</sup>
Cross section AWG	24 ... 14 (converted acc. to IEC)
Conductor cross-section flexible	0.2 mm <sup>2</sup> ... 1.5 mm <sup>2</sup>
Conductor cross-section flexible (ferrule without plastic sleeve)	0.25 mm <sup>2</sup> ... 2.5 mm <sup>2</sup>
Flexible conductor cross-section (ferrule with plastic sleeve)	0.25 mm <sup>2</sup> ... 1.5 mm <sup>2</sup>
2 conductors with same cross section, rigid	0.2 m <sup>2</sup> ... 0.75 m <sup>2</sup>
2 conductors with same cross section, flexible	0.2 m <sup>2</sup> ... 0.75 mm <sup>2</sup>
2 conductors with same cross section, flexible, with ferrule without plastic sleeve	0.25 mm <sup>2</sup> ... 0.5 mm <sup>2</sup>
2 conductors with the same cross section, flexible, with TWIN ferrule with plastic sleeve	0.5 mm <sup>2</sup> ... 0.75 mm <sup>2</sup>

## Main contact

Connection method	Screw connection
Screw thread	M3
Tightening torque	0.6 Nm ... 0.8 Nm
Stripping length	12 mm
Conductor cross-section flexible	0.2 mm <sup>2</sup> ... 4 mm <sup>2</sup>
Conductor cross-section rigid	0.2 mm <sup>2</sup> ... 6 mm <sup>2</sup>
Conductor cross-section AWG	24 ... 10

# TMC 1 F1 100 10,0A - Thermal-magnetic device circuit breaker



0914167

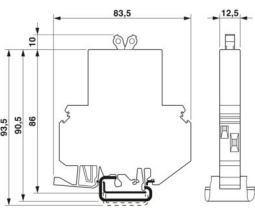
<https://www.phoenixcontact.com/us/products/0914167>

2 conductors with the same cross section, flexible, with TWIN ferrule with plastic sleeve	0.5 mm <sup>2</sup> ... 2.5 mm <sup>2</sup>
Conductor cross-section, flexible, with ferrule, with plastic sleeve	0.25 mm <sup>2</sup> ... 2.5 mm <sup>2</sup>
Conductor cross-section, flexible, with ferrule, without plastic sleeve	0.25 mm <sup>2</sup> ... 4 mm <sup>2</sup>

## Auxiliary contact

Connection method	Screw connection
Screw thread	M3
Tightening torque	0.6 Nm ... 0.8 Nm
Stripping length	12 mm
Conductor cross-section flexible	0.2 mm <sup>2</sup> ... 1.5 mm <sup>2</sup>
Conductor cross-section rigid	0.2 mm <sup>2</sup> ... 2.5 mm <sup>2</sup>
Conductor cross-section AWG	24 ... 14
Conductor cross-section, flexible, with ferrule, with plastic sleeve	0.25 mm <sup>2</sup> ... 1.5 mm <sup>2</sup>
Conductor cross-section, flexible, with ferrule, without plastic sleeve	0.25 mm <sup>2</sup> ... 2.5 mm <sup>2</sup>

## Dimensions

Dimensional drawing	
Width	12.5 mm
Height	82.5 mm
Depth	96 mm

## Material specifications

Color	black (RAL 9005)
Flammability rating according to UL 94	V-2
Insulating material group	II
Insulating material	PA66

## Mechanical properties

### Mechanical data

Open side panel	No
-----------------	----

## Environmental and real-life conditions

### Ambient conditions

Degree of protection	IP30 (Actuation area)
----------------------	-----------------------

# TMC 1 F1 100 10,0A - Thermal-magnetic device circuit breaker



0914167

<https://www.phoenixcontact.com/us/products/0914167>

	IP20 (Connection area)
Ambient temperature (operation)	-30 °C ... 60 °C
Humidity test	240 h, 95 % RH, 40 °C

## Standards and regulations

Standards/specifications	EN 60934
Standards/specifications	UL 1077

## Mounting

Mounting type	DIN rail: 35 mm
---------------	-----------------

# TMC 1 F1 100 10,0A - Thermal-magnetic device circuit breaker

0914167

<https://www.phoenixcontact.com/us/products/0914167>

## Drawings

Dimensional drawing



# TMC 1 F1 100 10,0A - Thermal-magnetic device circuit breaker



0914167

<https://www.phoenixcontact.com/us/products/0914167>

Diagram



# TMC 1 F1 100 10,0A - Thermal-magnetic device circuit breaker



0914167

<https://www.phoenixcontact.com/us/products/0914167>

## Approvals

To download certificates, visit the product detail page: <https://www.phoenixcontact.com/us/products/0914167>



**CSA**

Approval ID: 074317



**UL Recognized**

Approval ID: FILE E 140459



**VDE Zeichengenehmigung**

Approval ID: 40029348

**UAE-RoHS**

Approval ID: 23-10-88786

# TMC 1 F1 100 10,0A - Thermal-magnetic device circuit breaker



0914167

<https://www.phoenixcontact.com/us/products/0914167>

## Classifications

### ECLASS

ECLASS-13.0	27140401
ECLASS-15.0	27140401

### ETIM

ETIM 10.0	EC003538
-----------	----------

### UNSPSC

UNSPSC 21.0	39121400
-------------	----------

# TMC 1 F1 100 10,0A - Thermal-magnetic device circuit breaker



0914167

<https://www.phoenixcontact.com/us/products/0914167>

## Environmental product compliance

### EU RoHS

Fulfills EU RoHS substance requirements	Yes
Exemption	6(c)

### China RoHS

Environment friendly use period (EFUP)	EFUP-25
	An article-related China RoHS declaration table can be found in the download area for the respective article under "Manufacturer declaration". For all articles with EFUP-E, no China RoHS declaration table issued and required.

### EU REACH SVHC

REACH candidate substance (CAS No.)	Lead(CAS: 7439-92-1)
SCIP	58fbd11c-f4b5-4025-ada9-cee98c5baef8

### EF3.1 Climate Change

CO2e kg	3.786 kg CO2e
---------	---------------

Phoenix Contact 2026 © - all rights reserved  
<https://www.phoenixcontact.com>

Phoenix Contact USA  
586 Fulling Mill Road  
Middletown, PA 17057, United States  
(+717) 944-1300  
[info@phoenixcon.com](mailto:info@phoenixcon.com)