

E S4 A 450X620X160 - Junction box



0899623

<https://www.phoenixcontact.com/us/products/0899623>

Please be informed that the data shown in this PDF document is generated from our online catalog. Please find the complete data in the user documentation. Our general terms of use for downloads are valid.



Junction box, material: Stainless steel 304 / 1.4301, surface resistance: brushed, silver-colored, 450 mm x 620 mm x 160 mm, type of locking: Screw-on cover, scope of supply - ATD: Mounting panel, Fixing angle with mounting screws, M12 grounding bolts, affixed externally, Installation notes, Mounting panel

Your advantages

- Innovative product range of high-quality stainless steel housings as the basis for individual terminal boxes
- Reduced assembly and approval effort thanks to ready-equipped terminal boxes
- Flange plates possible on four sides of the housing, including seal protection
- Housing adjustments using threads, bore holes, and rectangular cutouts with consideration given to normative specifications

Commercial data

Item number	0899623
Packing unit	1 pc
Minimum order quantity	2 pc
Product key	BH9112
GTIN	4055626286655
Weight per piece (including packing)	99.99 g
Weight per piece (excluding packing)	99.99 g
Country of origin	DE

E S4 A 450X620X160 - Junction box



0899623

<https://www.phoenixcontact.com/us/products/0899623>

Technical data

Product properties

Product type	Terminal box
Scope of supply	Mounting panel
	Fixing angle with mounting screws
	M12 grounding bolts, affixed externally
	Installation notes

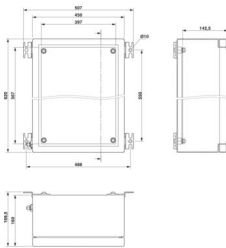
Insulation characteristics

Protection class	I
------------------	---

Electrical properties

Maximum power dissipation	28 W (T6 up to 40 °C)
	17.5 W (T6 up to 55 °C)
	10.5 W (T6 up to 65 °C)
	38.5 W (T5 up to 40 °C)
	28 W (T5 up to 55 °C)
	21 W (T5 up to 65 °C)
	45.5 W (T4 up to 40 °C)
	21.9 W (T4 up to 55 °C)
28 W (T4 up to 65 °C)	

Dimensions

Dimensional drawing	
Width	450 mm
Height	620 mm
Depth	160 mm
Clearance width, maximum DIN rail length	788 mm
Max. material thickness	2 mm

Material specifications

Color	silver-colored
Material	Stainless steel 304 / 1.4301
Seal material	Silicon
Surface characteristics	brushed
Note	240 grain

E S4 A 450X620X160 - Junction box



0899623

<https://www.phoenixcontact.com/us/products/0899623>

Mechanical properties

General

Type of locking (GRP)

Screw-on cover Allen screws

Environmental and real-life conditions

Degree of protection (IP code)

Degree of protection

IP66

Ambient conditions

Ambient temperature (operation)

-55 °C ... 135 °C

Mounting

Assembly note

External fixing clips

E S4 A 450X620X160 - Junction box

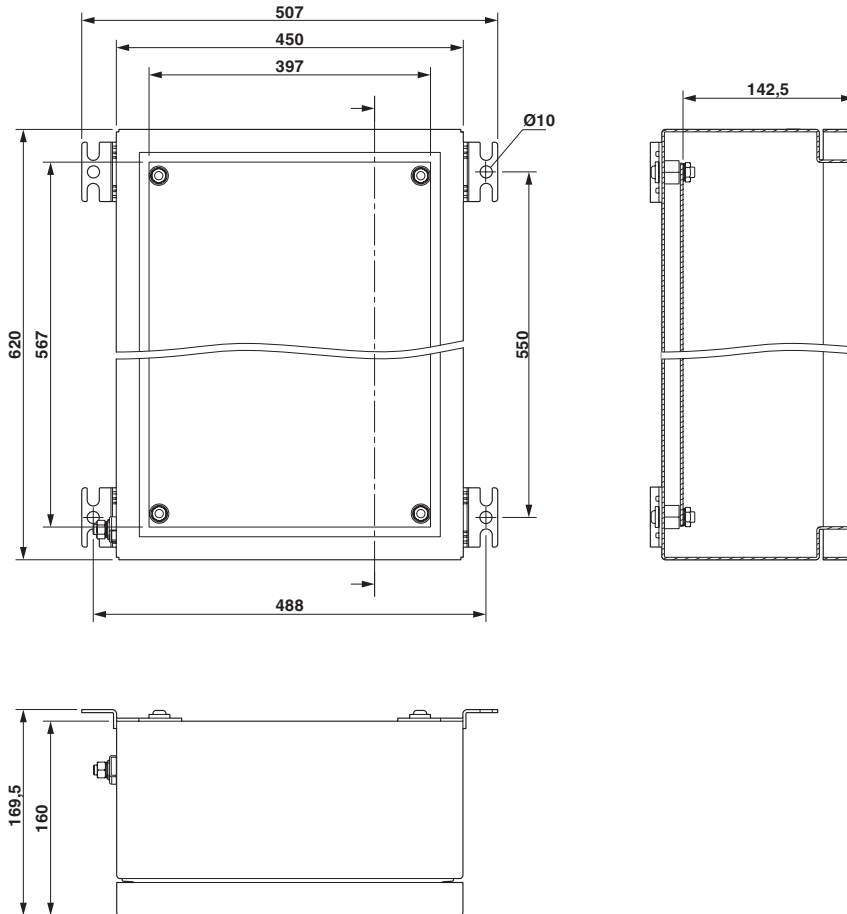
0899623

<https://www.phoenixcontact.com/us/products/0899623>



Drawings

Dimensional drawing



E S4 A 450X620X160 - Junction box

0899623

<https://www.phoenixcontact.com/us/products/0899623>



Schematic diagram



E S4 A 450X620X160 - Junction box



0899623

<https://www.phoenixcontact.com/us/products/0899623>

Classifications

UNSPSC

UNSPSC 21.0	31261502
-------------	----------

E S4 A 450X620X160 - Junction box



0899623

<https://www.phoenixcontact.com/us/products/0899623>

Environmental product compliance

EU RoHS

Fulfills EU RoHS substance requirements	Yes, No exemptions
---	--------------------

China RoHS

Environment friendly use period (EFUP)	EFUP-E
	No hazardous substances above the limits

EU REACH SVHC

REACH candidate substance (CAS No.)	No substance above 0.1 wt%
-------------------------------------	----------------------------

Phoenix Contact 2026 © - all rights reserved
<https://www.phoenixcontact.com>

Phoenix Contact USA
586 Fulling Mill Road
Middletown, PA 17057, United States
(+717) 944-1300
info@phoenixcon.com