

E PE A 55X55X59 - Empty enclosure

0899336

<https://www.phoenixcontact.com/us/products/0899336>

Please be informed that the data shown in this PDF document is generated from our online catalog. Please find the complete data in the user documentation. Our general terms of use for downloads are valid.



Empty enclosure, material: Polyester fiberglass reinforced, squirrel gray RAL 7000, 55 mm x 55 mm x 59 mm, type of locking: Screw-on cover

Commercial data

Item number	0899336
Packing unit	1 pc
Minimum order quantity	1 pc
Note	Made to order (non-returnable)
Sales key	BH91
Product key	BH9141
GTIN	4055626276052
Weight per piece (including packing)	278 g
Weight per piece (excluding packing)	138 g
Customs tariff number	85389099
Country of origin	HU

E PE A 55X55X59 - Empty enclosure

0899336

<https://www.phoenixcontact.com/us/products/0899336>

Technical data

Notes

General	Prepared for direct installation of a DIN rail
---------	------------------------------------------------

Product properties

Product type	Terminal box
Type	Empty enclosure with cover

Insulation characteristics

Protection class	II
------------------	----

Dimensions

Dimensional drawing	
Width	55 mm
Height	55 mm
Depth	59 mm

Material specifications

Color	squirrel gray RAL 7000
Material	Polyester fiberglass reinforced
Flammability rating according to UL 94	V0
Seal material	Chloroprene
Components	halogen-free

Mechanical properties

General

Type of locking (GRP)	Screw-on cover Plus/minus screw
-----------------------	---------------------------------

Environmental and real-life conditions

Degree of protection (IP code)

Degree of protection	IP66
----------------------	------

Ambient conditions

Ambient temperature (operation)	-40 °C ... 100 °C
---------------------------------	-------------------

Mounting

Assembly note	Integrated blind hole
	External fixing clips available as an option

E PE A 55X55X59 - Empty enclosure



0899336

<https://www.phoenixcontact.com/us/products/0899336>

Direct DIN rail mounting	yes
--------------------------	-----

E PE A 55X55X59 - Empty enclosure

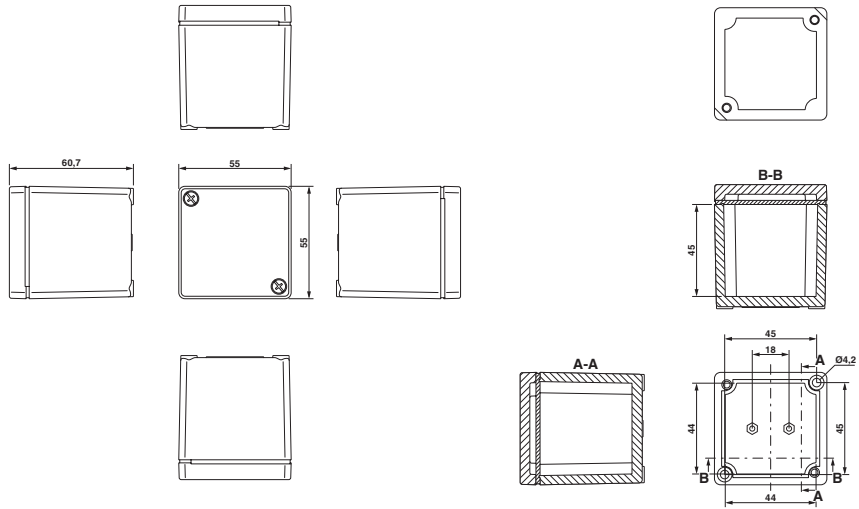
0899336

<https://www.phoenixcontact.com/us/products/0899336>

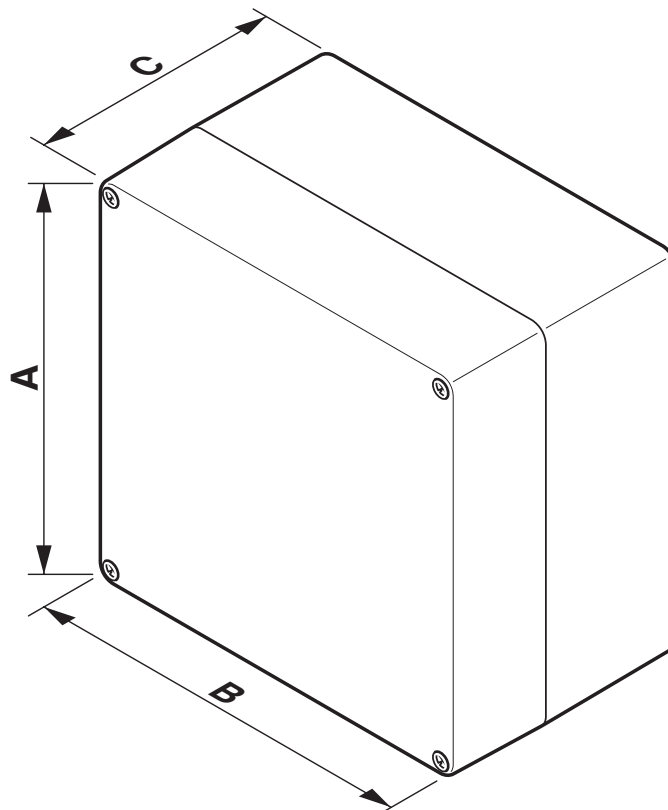


Drawings

Dimensional drawing



Schematic diagram



E PE A 55X55X59 - Empty enclosure



0899336

<https://www.phoenixcontact.com/us/products/0899336>

Classifications

ECLASS

ECLASS-13.0	27180101
ECLASS-15.0	27180101

ETIM

ETIM 10.0	EC000261
-----------	----------

UNSPSC

UNSPSC 21.0	31261500
-------------	----------

E PE A 55X55X59 - Empty enclosure



0899336

<https://www.phoenixcontact.com/us/products/0899336>

Environmental product compliance

EU RoHS

Fulfills EU RoHS substance requirements	Yes, No exemptions
-----------------------------------------	--------------------

China RoHS

Environment friendly use period (EFUP)	EFUP-E
	No hazardous substances above the limits

EU REACH SVHC

REACH candidate substance (CAS No.)	No substance above 0.1 wt%
-------------------------------------	----------------------------

Phoenix Contact 2026 © - all rights reserved
<https://www.phoenixcontact.com>

Phoenix Contact USA
586 Fulling Mill Road
Middletown, PA 17057, United States
(+717) 944-1300
info@phoenixcon.com