

E PE A 55X55X37 - Empty enclosure

0899335

<https://www.phoenixcontact.com/us/products/0899335>

Please be informed that the data shown in this PDF document is generated from our online catalog. Please find the complete data in the user documentation. Our general terms of use for downloads are valid.



Empty enclosure, material: Polyester fiberglass reinforced, squirrel gray RAL 7000, 55 mm x 55 mm x 37 mm, type of locking: Screw-on cover

The figure shows a similar product

Commercial data

| | |
|--------------------------------------|--------------------------------|
| Item number | 0899335 |
| Packing unit | 1 pc |
| Minimum order quantity | 1 pc |
| Note | Made to order (non-returnable) |
| Sales key | BH91 |
| Product key | BH9141 |
| GTIN | 4055626276045 |
| Weight per piece (including packing) | 103 g |
| Weight per piece (excluding packing) | 103 g |
| Customs tariff number | 85389099 |
| Country of origin | HU |

E PE A 55X55X37 - Empty enclosure

0899335

<https://www.phoenixcontact.com/us/products/0899335>

Technical data

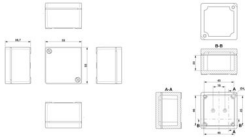
Product properties

| | |
|--------------|----------------------------|
| Product type | Terminal box |
| Type | Empty enclosure with cover |

Insulation characteristics

| | |
|------------------|----|
| Protection class | II |
|------------------|----|

Dimensions

| | |
|---------------------|--|
| Dimensional drawing |  |
| Width | 55 mm |
| Height | 55 mm |
| Depth | 37 mm |

Material specifications

| | |
|--|---------------------------------|
| Color | squirrell gray RAL 7000 |
| Material | Polyester fiberglass reinforced |
| Flammability rating according to UL 94 | V0 |
| Seal material | Chloroprene |
| Components | halogen-free |

Mechanical properties

General

| | |
|-----------------------|---------------------------------|
| Type of locking (GRP) | Screw-on cover Plus/minus screw |
|-----------------------|---------------------------------|

Environmental and real-life conditions

Degree of protection (IP code)

| | |
|----------------------|------|
| Degree of protection | IP66 |
|----------------------|------|

Ambient conditions

| | |
|---------------------------------|-------------------|
| Ambient temperature (operation) | -40 °C ... 100 °C |
|---------------------------------|-------------------|

Mounting

| | |
|--------------------------|---|
| Assembly note | Integrated blind hole External fixing clips available as an option |
| Direct DIN rail mounting | yes |

E PE A 55X55X37 - Empty enclosure

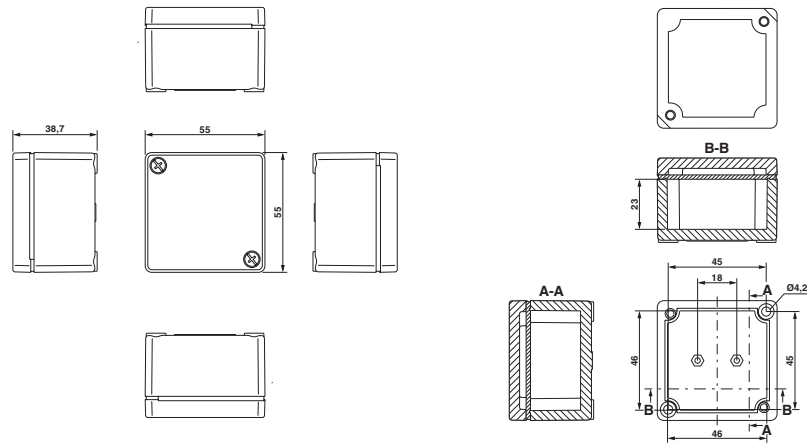
0899335

<https://www.phoenixcontact.com/us/products/0899335>

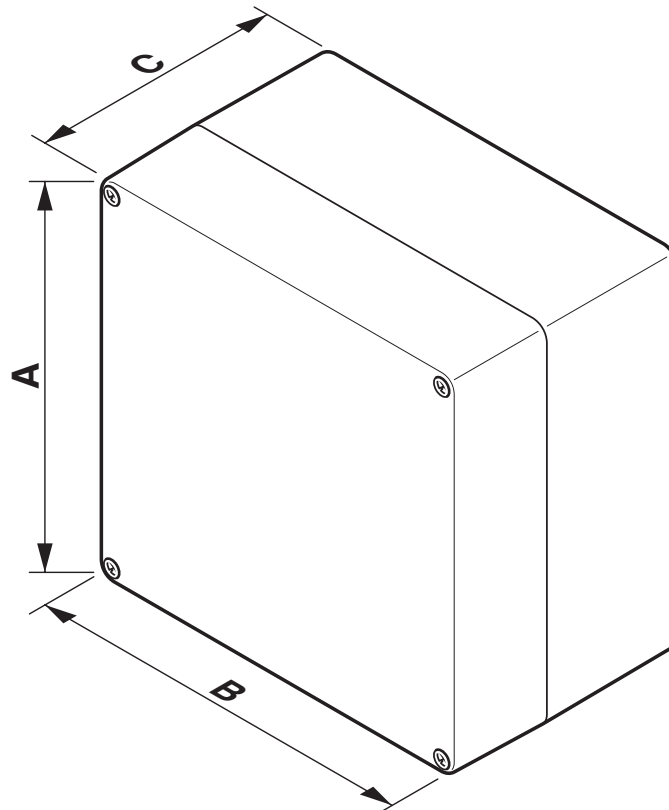


Drawings

Dimensional drawing



Schematic diagram



E PE A 55X55X37 - Empty enclosure



0899335

<https://www.phoenixcontact.com/us/products/0899335>

Classifications

ECLASS

| | |
|-------------|----------|
| ECLASS-13.0 | 27180101 |
| ECLASS-15.0 | 27180101 |

ETIM

| | |
|-----------|----------|
| ETIM 10.0 | EC000261 |
|-----------|----------|

UNSPSC

| | |
|-------------|----------|
| UNSPSC 21.0 | 31261500 |
|-------------|----------|

E PE A 55X55X37 - Empty enclosure



0899335

<https://www.phoenixcontact.com/us/products/0899335>

Environmental product compliance

EU RoHS

| | |
|---|--------------------|
| Fulfills EU RoHS substance requirements | Yes, No exemptions |
|---|--------------------|

China RoHS

| | |
|--|--|
| Environment friendly use period (EFUP) | EFUP-E |
| | No hazardous substances above the limits |

EU REACH SVHC

| | |
|-------------------------------------|----------------------------|
| REACH candidate substance (CAS No.) | No substance above 0.1 wt% |
|-------------------------------------|----------------------------|

Phoenix Contact 2026 © - all rights reserved
<https://www.phoenixcontact.com>

Phoenix Contact USA
586 Fulling Mill Road
Middletown, PA 17057, United States
(+717) 944-1300
info@phoenixcon.com