

# C PX A 605X405X252 - Empty enclosure



0899334

<https://www.phoenixcontact.com/us/products/0899334>

Please be informed that the data shown in this PDF document is generated from our online catalog. Please find the complete data in the user documentation. Our general terms of use for downloads are valid.



Empty enclosure, material: Glass-fiber-reinforced polyester with added graphite, black, 405 mm x 605 mm x 252 mm, type of locking: Door, scope of supply - ATD: Door hinge with 8 mm square lock, Door hinge with 8 mm square lock

## Commercial data

Item number	0899334
Packing unit	1 pc
Minimum order quantity	1 pc
Sales key	BH91
Product key	BH9142
GTIN	4055626276038
Weight per piece (including packing)	6,990 g
Weight per piece (excluding packing)	6,990 g
Customs tariff number	85389099
Country of origin	HU

# C PX A 605X405X252 - Empty enclosure

0899334

<https://www.phoenixcontact.com/us/products/0899334>

## Technical data

### Product properties

Product type	Terminal box
Type	Ex empty enclosure with door
Scope of supply	Door hinge with 8 mm square lock

### Insulation characteristics

Protection class	II
------------------	----

### Dimensions

Dimensional drawing	
Width	405 mm
Height	605 mm
Depth	252 mm
Clearance width, maximum DIN rail length	565 mm
max. assembly length	545 mm

### Material specifications

Color	black
Material	Glass-fiber-reinforced polyester with added graphite
Flammability rating according to UL 94	V0
Seal material	Silicon
Components	halogen-free

### Mechanical properties

#### General

Type of locking (GRP)	Door Square lock
-----------------------	------------------

### Environmental and real-life conditions

#### Degree of protection (IP code)

Degree of protection	IP66
----------------------	------

#### Ambient conditions

Ambient temperature (operation)	-55 °C ... 127 °C
---------------------------------	-------------------

### Mounting

Assembly note	External fixing clips
---------------	-----------------------

# C PX A 605X405X252 - Empty enclosure



0899334

<https://www.phoenixcontact.com/us/products/0899334>

	External fixing clip not supplied as standard
Direct DIN rail mounting	no
Useable DIN rail type	NS 35

# C PX A 605X405X252 - Empty enclosure

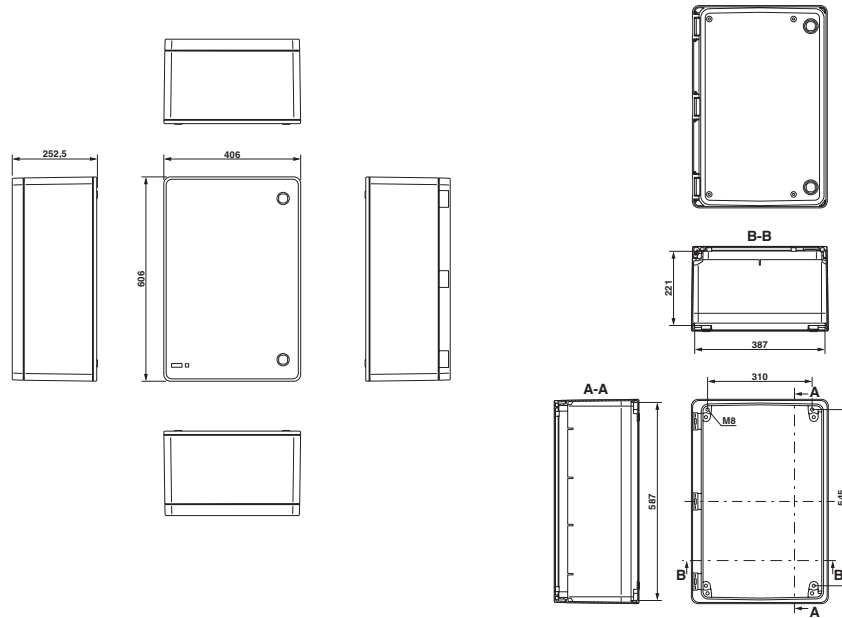


0899334

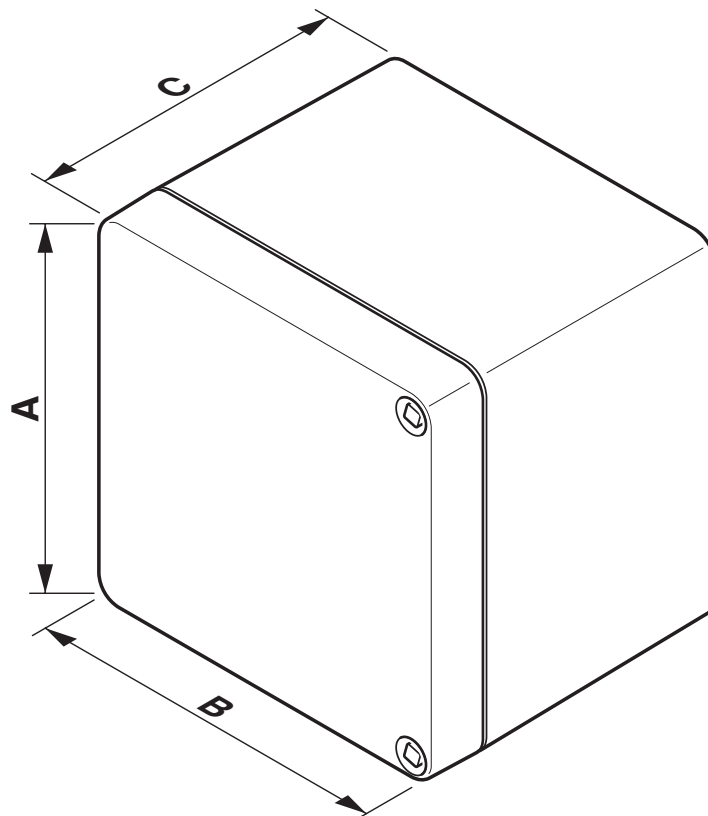
<https://www.phoenixcontact.com/us/products/0899334>

## Drawings

Dimensional drawing



Schematic diagram



# C PX A 605X405X252 - Empty enclosure



0899334

<https://www.phoenixcontact.com/us/products/0899334>

## Classifications

### ECLASS

ECLASS-13.0	27180101
ECLASS-15.0	27180101

### ETIM

ETIM 10.0	EC000261
-----------	----------

### UNSPSC

UNSPSC 21.0	31261500
-------------	----------

# C PX A 605X405X252 - Empty enclosure



0899334

<https://www.phoenixcontact.com/us/products/0899334>

## Environmental product compliance

### EU RoHS

Fulfills EU RoHS substance requirements	Yes, No exemptions
---	--------------------

### China RoHS

Environment friendly use period (EFUP)	EFUP-E
	No hazardous substances above the limits

### EU REACH SVHC

REACH candidate substance (CAS No.)	No substance above 0.1 wt%
-------------------------------------	----------------------------

Phoenix Contact 2026 © - all rights reserved  
<https://www.phoenixcontact.com>

Phoenix Contact USA  
586 Fulling Mill Road  
Middletown, PA 17057, United States  
(+717) 944-1300  
[info@phoenixcon.com](mailto:info@phoenixcon.com)