

O PX A 161X161X93 - Empty enclosure

0899329

<https://www.phoenixcontact.com/us/products/0899329>

Please be informed that the data shown in this PDF document is generated from our online catalog. Please find the complete data in the user documentation. Our general terms of use for downloads are valid.



Empty enclosure, Octagonal, material: Glass-fiber-reinforced polyester with added graphite, black, 161 mm x 161 mm x 93 mm, type of locking: Screw-on cover

The figure shows a similar product

Commercial data

Item number	0899329
Packing unit	1 pc
Minimum order quantity	1 pc
Note	Made to order (non-returnable)
Sales key	BH91
Product key	BH9142
GTIN	4055626275987
Weight per piece (including packing)	99.99 g
Weight per piece (excluding packing)	99.99 g
Customs tariff number	85389099
Country of origin	IN

O PX A 161X161X93 - Empty enclosure

0899329

<https://www.phoenixcontact.com/us/products/0899329>

Technical data

Product properties

Product type	Terminal box
Type	Ex empty enclosure, octagonal

Insulation characteristics

Protection class	II
------------------	----

Dimensions

Dimensional drawing	
Width	161 mm
Height	161 mm
Depth	93 mm
Clearance width, maximum DIN rail length	141 mm
max. assembly length	107.5 mm

Material specifications

Color	black
Material	Glass-fiber-reinforced polyester with added graphite
Flammability rating according to UL 94	V0
Seal material	Silicon
Components	halogen-free

Mechanical properties

General

Type of locking (GRP)	Screw-on cover Plus/minus screw
-----------------------	---------------------------------

Environmental and real-life conditions

Degree of protection (IP code)

Degree of protection	IP66
----------------------	------

Ambient conditions

Ambient temperature (operation)	-55 °C ... 127 °C
---------------------------------	-------------------

Mounting

Assembly note	Integrated external fixing clip
Direct DIN rail mounting	yes
Useable DIN rail type	NS 15

O PX A 161X161X93 - Empty enclosure



0899329

<https://www.phoenixcontact.com/us/products/0899329>

NS 15

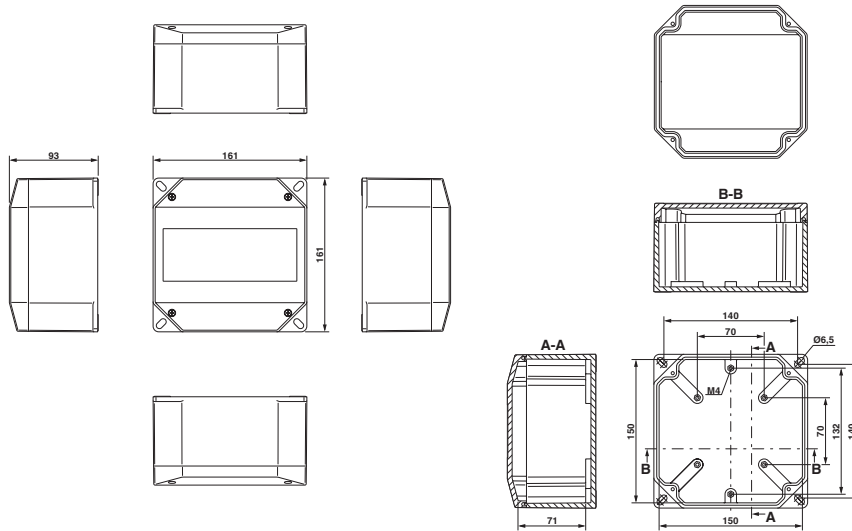
O PX A 161X161X93 - Empty enclosure

0899329

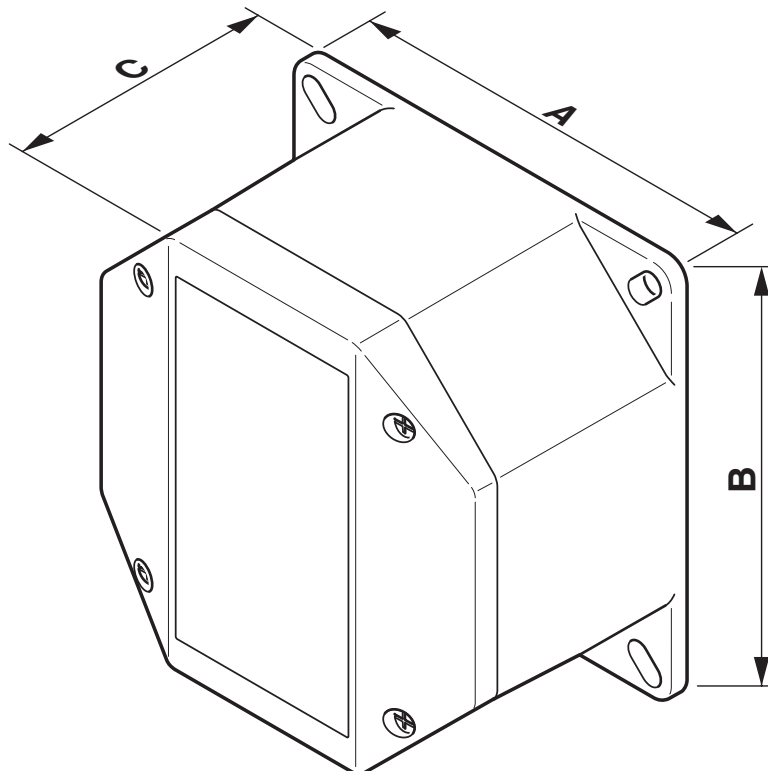
<https://www.phoenixcontact.com/us/products/0899329>

Drawings

Dimensional drawing



Schematic diagram



O PX A 161X161X93 - Empty enclosure



0899329

<https://www.phoenixcontact.com/us/products/0899329>

Classifications

ECLASS

ECLASS-13.0	27180101
ECLASS-15.0	27180101

ETIM

ETIM 10.0	EC000261
-----------	----------

UNSPSC

UNSPSC 21.0	31261500
-------------	----------

O PX A 161X161X93 - Empty enclosure



0899329

<https://www.phoenixcontact.com/us/products/0899329>

Environmental product compliance

EU RoHS

Fulfills EU RoHS substance requirements	Yes, No exemptions
---	--------------------

China RoHS

Environment friendly use period (EFUP)	EFUP-E
	No hazardous substances above the limits

EU REACH SVHC

REACH candidate substance (CAS No.)	No substance above 0.1 wt%
-------------------------------------	----------------------------

Phoenix Contact 2026 © - all rights reserved
<https://www.phoenixcontact.com>

Phoenix Contact USA
586 Fulling Mill Road
Middletown, PA 17057, United States
(+717) 944-1300
info@phoenixcon.com