

E PX A 160X160X91 - Empty enclosure

0899312

<https://www.phoenixcontact.com/us/products/0899312>

Please be informed that the data shown in this PDF document is generated from our online catalog. Please find the complete data in the user documentation. Our general terms of use for downloads are valid.



Empty enclosure, material: Glass-fiber-reinforced polyester with added graphite, black, 160 mm x 160 mm x 91 mm, type of locking: Screw-on cover

The figure shows a similar product

Commercial data

Item number	0899312
Packing unit	1 pc
Minimum order quantity	1 pc
Sales key	BH91
Product key	BH9142
GTIN	4055626275819
Weight per piece (including packing)	2,520 g
Weight per piece (excluding packing)	1,280 g
Customs tariff number	85389099
Country of origin	IN

E PX A 160X160X91 - Empty enclosure

0899312

<https://www.phoenixcontact.com/us/products/0899312>

Technical data

Product properties

Product type	Terminal box
Type	Ex empty enclosure with cover

Insulation characteristics

Protection class	II
------------------	----

Dimensions

Dimensional drawing	
Width	160 mm
Height	160 mm
Depth	91 mm
Clearance width, maximum DIN rail length	144 mm
max. assembly length	122 mm

Material specifications

Color	black
Material	Glass-fiber-reinforced polyester with added graphite
Flammability rating according to UL 94	V0
Seal material	Silicon
Components	halogen-free

Mechanical properties

General

Type of locking (GRP)	Screw-on cover Plus/minus screw
-----------------------	---------------------------------

Environmental and real-life conditions

Degree of protection (IP code)

Degree of protection	IP66
----------------------	------

Ambient conditions

Ambient temperature (operation)	-55 °C ... 127 °C
---------------------------------	-------------------

Mounting

Assembly note	External fixing clips available as an option
	Integrated blind hole
Direct DIN rail mounting	yes

E PX A 160X160X91 - Empty enclosure



0899312

<https://www.phoenixcontact.com/us/products/0899312>

Useable DIN rail type	NS 35
-----------------------	-------

E PX A 160X160X91 - Empty enclosure

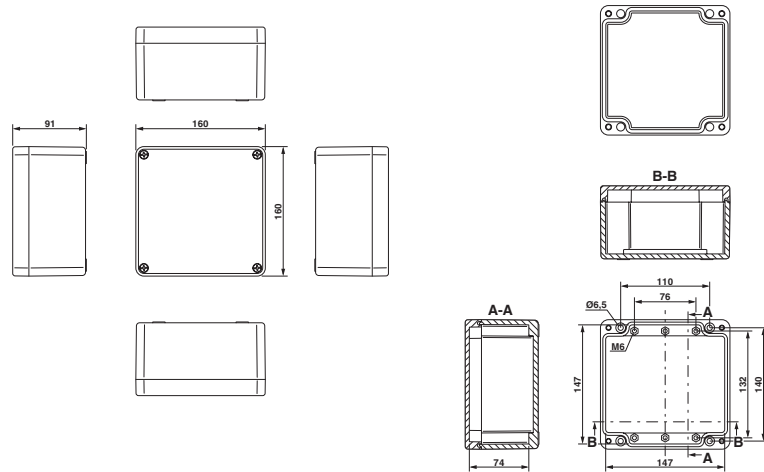
0899312

<https://www.phoenixcontact.com/us/products/0899312>

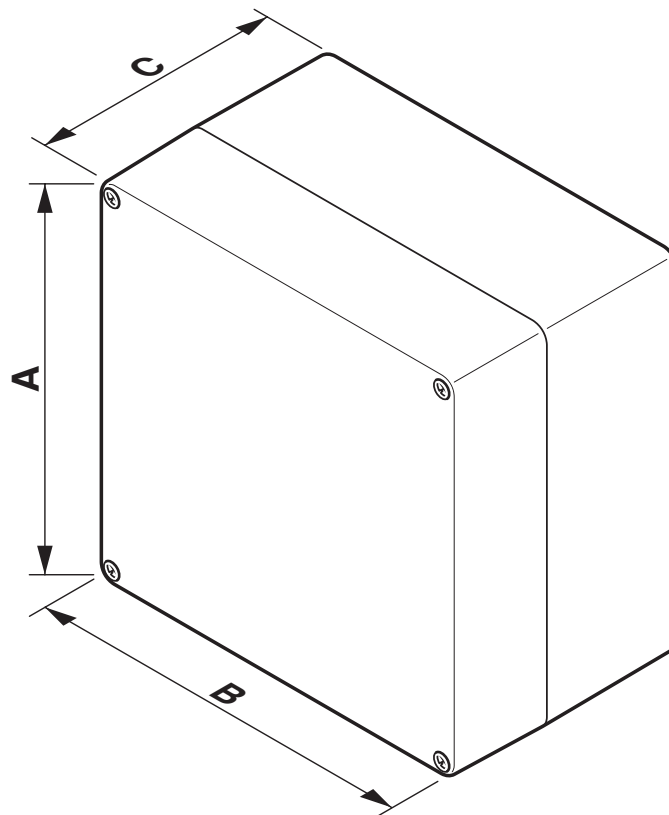


Drawings

Dimensional drawing



Schematic diagram



E PX A 160X160X91 - Empty enclosure



0899312

<https://www.phoenixcontact.com/us/products/0899312>

Classifications

ECLASS

ECLASS-13.0	27180101
ECLASS-15.0	27180101

ETIM

ETIM 10.0	EC000261
-----------	----------

UNSPSC

UNSPSC 21.0	31261500
-------------	----------

E PX A 160X160X91 - Empty enclosure



0899312

<https://www.phoenixcontact.com/us/products/0899312>

Environmental product compliance

EU RoHS

Fulfills EU RoHS substance requirements	Yes, No exemptions
---	--------------------

China RoHS

Environment friendly use period (EFUP)	EFUP-E
	No hazardous substances above the limits

EU REACH SVHC

REACH candidate substance (CAS No.)	No substance above 0.1 wt%
-------------------------------------	----------------------------

Phoenix Contact 2026 © - all rights reserved
<https://www.phoenixcontact.com>

Phoenix Contact USA
586 Fulling Mill Road
Middletown, PA 17057, United States
(+717) 944-1300
info@phoenixcon.com