

# E PX A 75X160X56 - Empty enclosure

0899304

<https://www.phoenixcontact.com/us/products/0899304>

Please be informed that the data shown in this PDF document is generated from our online catalog. Please find the complete data in the user documentation. Our general terms of use for downloads are valid.

Empty enclosure, material: Glass-fiber-reinforced polyester with added graphite, black, 75 mm x 160 mm x 56 mm, type of locking: Screw-on cover



The figure shows a similar product

## Commercial data

Item number	0899304
Packing unit	1 pc
Minimum order quantity	1 pc
Note	Made to order (non-returnable)
Sales key	BH91
Product key	BH9142
GTIN	4055626275734
Weight per piece (including packing)	453 g
Weight per piece (excluding packing)	99.99 g
Customs tariff number	85389099
Country of origin	IN

# E PX A 75X160X56 - Empty enclosure

0899304

<https://www.phoenixcontact.com/us/products/0899304>

## Technical data

### Product properties

Product type	Terminal box
Type	Ex empty enclosure with cover

### Insulation characteristics

Protection class	II
------------------	----

### Dimensions

Dimensional drawing	
Width	75 mm
Height	160 mm
Depth	56 mm
Clearance width, maximum DIN rail length	148 mm
max. assembly length	129 mm

### Material specifications

Color	black
Material	Glass-fiber-reinforced polyester with added graphite
Flammability rating according to UL 94	V0
Seal material	Silicon
Components	halogen-free

### Mechanical properties

#### General

Type of locking (GRP)	Screw-on cover Plus/minus screw
-----------------------	---------------------------------

### Environmental and real-life conditions

#### Degree of protection (IP code)

Degree of protection	IP66
----------------------	------

#### Ambient conditions

Ambient temperature (operation)	-55 °C ... 127 °C
---------------------------------	-------------------

### Mounting

Assembly note	External fixing clips available as an option
	Integrated blind hole

# E PX A 75X160X56 - Empty enclosure



0899304

<https://www.phoenixcontact.com/us/products/0899304>

Direct DIN rail mounting	yes
Useable DIN rail type	NS 15

# E PX A 75X160X56 - Empty enclosure

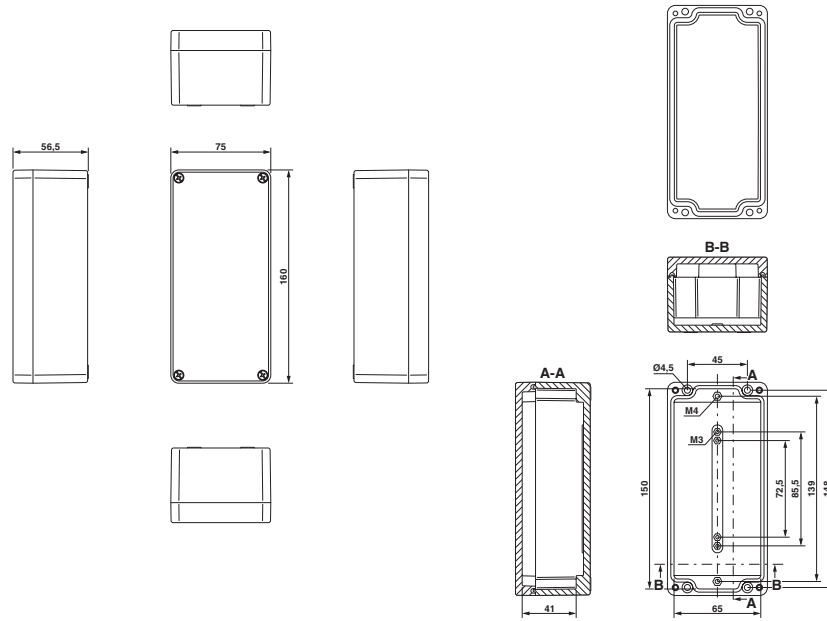


0899304

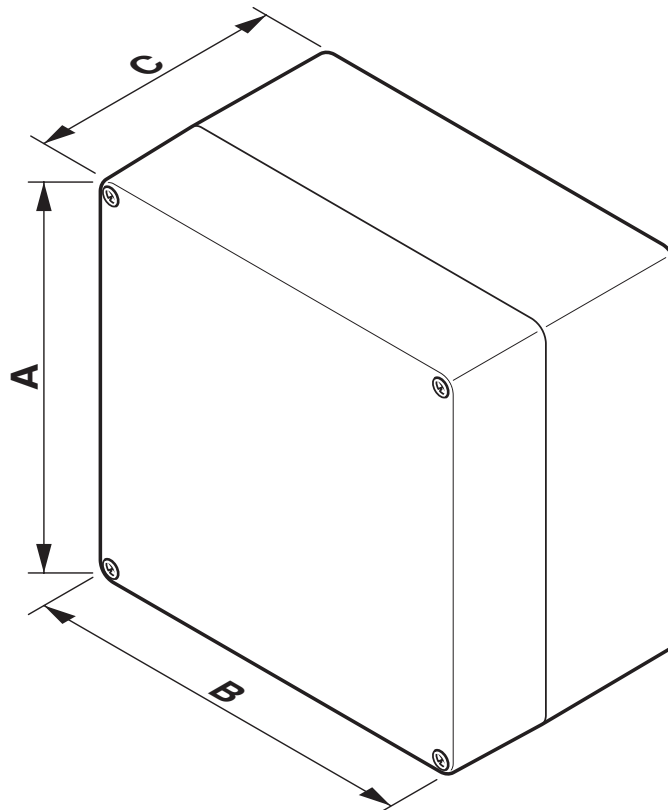
<https://www.phoenixcontact.com/us/products/0899304>

## Drawings

### Dimensional drawing



### Schematic diagram



# E PX A 75X160X56 - Empty enclosure



0899304

<https://www.phoenixcontact.com/us/products/0899304>

## Classifications

### ECLASS

ECLASS-13.0	27180101
ECLASS-15.0	27180101

### ETIM

ETIM 10.0	EC000261
-----------	----------

### UNSPSC

UNSPSC 21.0	31261500
-------------	----------

# E PX A 75X160X56 - Empty enclosure



0899304

<https://www.phoenixcontact.com/us/products/0899304>

## Environmental product compliance

### EU RoHS

Fulfills EU RoHS substance requirements	Yes, No exemptions
---	--------------------

### China RoHS

Environment friendly use period (EFUP)	EFUP-E
	No hazardous substances above the limits

### EU REACH SVHC

REACH candidate substance (CAS No.)	No substance above 0.1 wt%
-------------------------------------	----------------------------

Phoenix Contact 2026 © - all rights reserved  
<https://www.phoenixcontact.com>

Phoenix Contact USA  
586 Fulling Mill Road  
Middletown, PA 17057, United States  
(+717) 944-1300  
[info@phoenixcon.com](mailto:info@phoenixcon.com)