

# C S6 A 380X380X160 - Empty enclosure



0899061

<https://www.phoenixcontact.com/us/products/0899061>

Please be informed that the data shown in this PDF document is generated from our online catalog. Please find the complete data in the user documentation. Our general terms of use for downloads are valid.



Empty enclosure, material: Stainless steel, 316L/1.4404, surface resistance: brushed, silver-colored, 380 mm x 380 mm x 160 mm, type of locking: Door with replaceable hinge, scope of supply - ATD: Door hinge with quarter turn locking, Mounting panel, Double-bit key, Fixing angle with mounting screws, M12 grounding bolts, affixed externally, Installation notes, Door hinge with quarter turn locking

## Your advantages

- Innovative product range of high-quality stainless steel housings as the basis for individual terminal boxes
- Reduced assembly and approval effort thanks to ready-equipped terminal boxes
- Flange plates possible on four sides of the housing, including seal protection
- Housing adjustments using threads, bore holes, and rectangular cutouts with consideration given to normative specifications

## Commercial data

|                                      |                                |
|--------------------------------------|--------------------------------|
| Item number                          | 0899061                        |
| Packing unit                         | 1 pc                           |
| Minimum order quantity               | 1 pc                           |
| Note                                 | Made to order (non-returnable) |
| Sales key                            | BH91                           |
| Product key                          | BH9112                         |
| GTIN                                 | 4046356928229                  |
| Weight per piece (including packing) | 8.06 kg                        |
| Weight per piece (excluding packing) | 8.06 kg                        |
| Customs tariff number                | 94032080                       |
| Country of origin                    | DE                             |

# C S6 A 380X380X160 - Empty enclosure



0899061

<https://www.phoenixcontact.com/us/products/0899061>

## Technical data

### Product properties

|                 |   |
|-----------------|---|
| Product type    | Terminal box                            |
| Scope of supply | Door hinge with quarter turn locking    |
|                 | Mounting panel                          |
|                 | Double-bit key                          |
|                 | Fixing angle with mounting screws       |
|                 | M12 grounding bolts, affixed externally |
|                 | Installation notes                      |

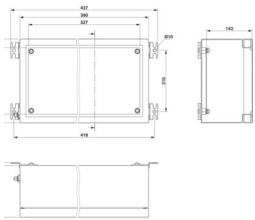
### Insulation characteristics

|                  |   |
|------------------|---|
| Protection class | I |
|------------------|---|

### Electrical properties

|                           |                         |
|---------------------------|-------------------------|
| Maximum power dissipation | 20 W (T6 up to 40 °C)   |
|                           | 12.5 W (T6 up to 55 °C) |
|                           | 7.5 W (T6 up to 65 °C)  |
|                           | 27.5 W (T5 up to 40 °C) |
|                           | 20 W (T5 up to 55 °C)   |
|                           | 15 W (T5 up to 65 °C)   |
|                           | 32.5 W (T4 up to 40 °C) |
|                           | 15.6 W (T4 up to 55 °C) |
| 20 W (T4 up to 65 °C)     |                         |

### Dimensions

|  |  |
|--|--|
| Dimensional drawing                      |  |
| Width                                    | 380 mm   |
| Height                                   | 380 mm   |
| Depth                                    | 160 mm   |
| Clearance width, maximum DIN rail length | 324 mm   |
| Max. material thickness                  | 1.5 mm   |

### Material specifications

|                         |                              |
|-------------------------|------------------------------|
| Color                   | silver-colored               |
| Material                | Stainless steel, 316L/1.4404 |
| Seal material           | Silicon                      |
| Surface characteristics | brushed                      |

# C S6 A 380X380X160 - Empty enclosure



0899061

<https://www.phoenixcontact.com/us/products/0899061>

|      |           |
|------|-----------|
| Note | 240 grain |
|------|-----------|

## Mechanical properties

### General

|                       |   |
|-----------------------|---|
| Type of locking (GRP) | Door with replaceable hinge Quarter turn locking with two-way key bit |
|-----------------------|---|

## Environmental and real-life conditions

### Degree of protection (IP code)

|                      |      |
|----------------------|------|
| Degree of protection | IP66 |
|----------------------|------|

### Ambient conditions

|                                 |                   |
|---------------------------------|-------------------|
| Ambient temperature (operation) | -55 °C ... 135 °C |
|---------------------------------|-------------------|

## Mounting

|               |                       |
|---------------|-----------------------|
| Assembly note | External fixing clips |
|---------------|-----------------------|

# C S6 A 380X380X160 - Empty enclosure

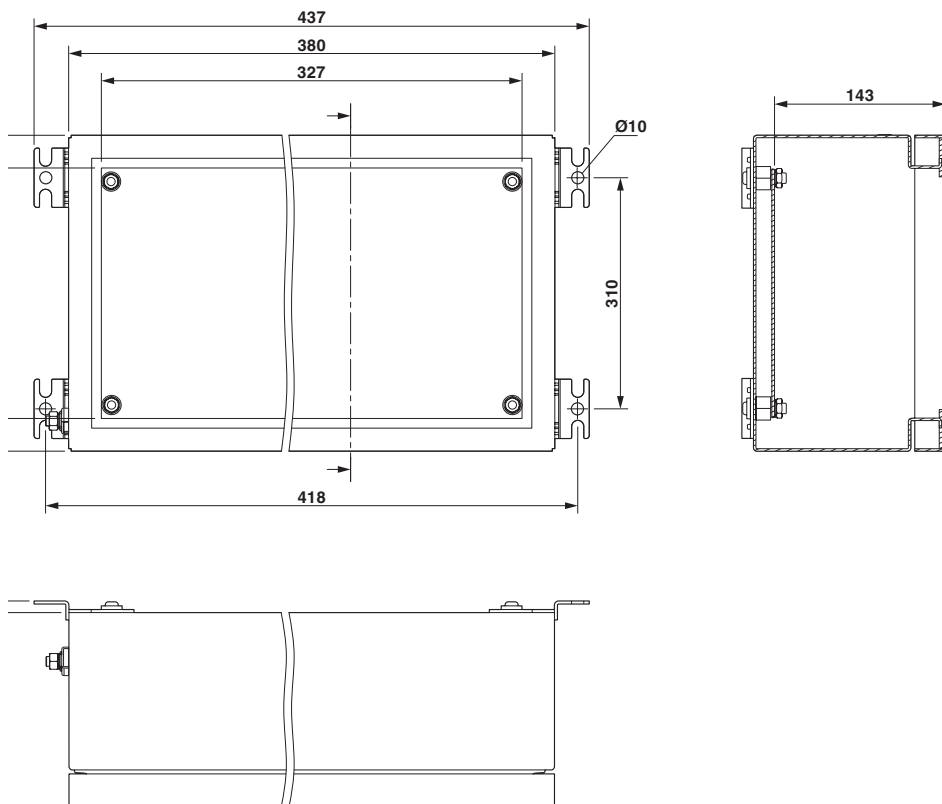


0899061

<https://www.phoenixcontact.com/us/products/0899061>

## Drawings

Dimensional drawing



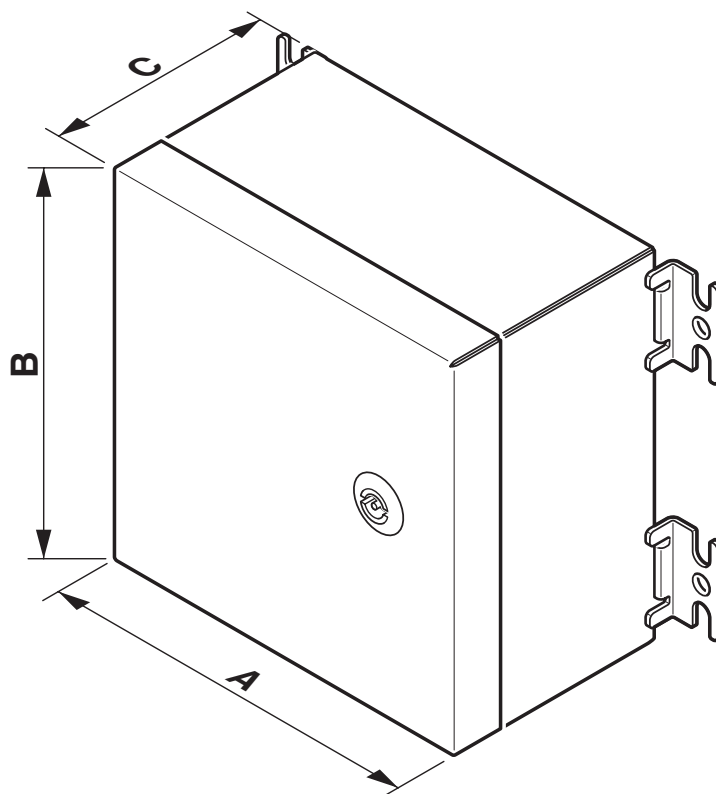
# C S6 A 380X380X160 - Empty enclosure

0899061

<https://www.phoenixcontact.com/us/products/0899061>



Schematic diagram



# C S6 A 380X380X160 - Empty enclosure



0899061

<https://www.phoenixcontact.com/us/products/0899061>

## Classifications

### ECLASS

|             |          |
|-------------|----------|
| ECLASS-13.0 | 27180101 |
| ECLASS-15.0 | 27180101 |

### ETIM

|           |          |
|-----------|----------|
| ETIM 10.0 | EC000261 |
|-----------|----------|

### UNSPSC

|             |          |
|-------------|----------|
| UNSPSC 21.0 | 31261500 |
|-------------|----------|

# C S6 A 380X380X160 - Empty enclosure



0899061

<https://www.phoenixcontact.com/us/products/0899061>

## Environmental product compliance

### EU RoHS

|   |                    |
|---|--------------------|
| Fulfills EU RoHS substance requirements | Yes, No exemptions |
|---|--------------------|

### China RoHS

|  |  |
|--|--|
| Environment friendly use period (EFUP) | EFUP-E                                   |
|  | No hazardous substances above the limits |

### EU REACH SVHC

|                                     |                            |
|-------------------------------------|----------------------------|
| REACH candidate substance (CAS No.) | No substance above 0.1 wt% |
|-------------------------------------|----------------------------|

Phoenix Contact 2026 © - all rights reserved  
<https://www.phoenixcontact.com>

Phoenix Contact USA  
586 Fulling Mill Road  
Middletown, PA 17057, United States  
(+717) 944-1300  
[info@phoenixcon.com](mailto:info@phoenixcon.com)