

E S6 A 150X150X100 - Empty enclosure



0899010

<https://www.phoenixcontact.com/us/products/0899010>

Please be informed that the data shown in this PDF document is generated from our online catalog. Please find the complete data in the user documentation. Our general terms of use for downloads are valid.



Empty enclosure, material: Stainless steel, 316L/1.4404, surface resistance: brushed, silver-colored, 150 mm x 150 mm x 100 mm, type of locking: Screw-on cover, scope of supply - ATD: Mounting panel, Fixing angle with mounting screws, M12 grounding bolts, affixed externally, Installation notes, Mounting panel

Your advantages

- Innovative product range of high-quality stainless steel housings as the basis for individual terminal boxes
- Reduced assembly and approval effort thanks to ready-equipped terminal boxes
- Flange plates possible on four sides of the housing, including seal protection
- Housing adjustments using threads, bore holes, and rectangular cutouts with consideration given to normative specifications

Commercial data

Item number	0899010
Packing unit	1 pc
Minimum order quantity	1 pc
Sales key	BH91
Product key	BH9112
GTIN	4046356927680
Weight per piece (including packing)	1.676 g
Weight per piece (excluding packing)	3,111 g
Customs tariff number	94032080
Country of origin	DE

E S6 A 150X150X100 - Empty enclosure



0899010

<https://www.phoenixcontact.com/us/products/0899010>

Technical data

Product properties

Product type	Terminal box
Scope of supply	Mounting panel
	Fixing angle with mounting screws
	M12 grounding bolts, affixed externally
	Installation notes

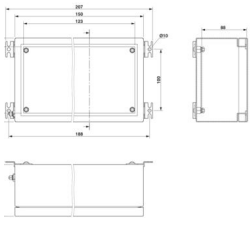
Insulation characteristics

Protection class	I
------------------	---

Electrical properties

Maximum power dissipation	10 W (T6 up to 40 °C)
	6.2 W (T6 up to 55 °C)
	3.7 W (T6 up to 65 °C)
	13.8 W (T5 up to 40 °C)
	10 W (T5 up to 55 °C)
	7.5 W (T5 up to 65 °C)
	16.3 W (T4 up to 40 °C)
	7.8 W (T4 up to 55 °C)
10 W (T4 up to 65 °C)	

Dimensions

Dimensional drawing	
Width	150 mm
Height	150 mm
Depth	100 mm
Clearance width, maximum DIN rail length	121 mm
Max. material thickness	1.5 mm

Material specifications

Color	silver-colored
Material	Stainless steel, 316L/1.4404
Seal material	Silicon
Surface characteristics	brushed
Note	240 grain

E S6 A 150X150X100 - Empty enclosure



0899010

<https://www.phoenixcontact.com/us/products/0899010>

Mechanical properties

General

Type of locking (GRP)

Screw-on cover Allen screws

Environmental and real-life conditions

Degree of protection (IP code)

Degree of protection

IP66

Ambient conditions

Ambient temperature (operation)

-55 °C ... 135 °C

Mounting

Assembly note

External fixing clips

E S6 A 150X150X100 - Empty enclosure

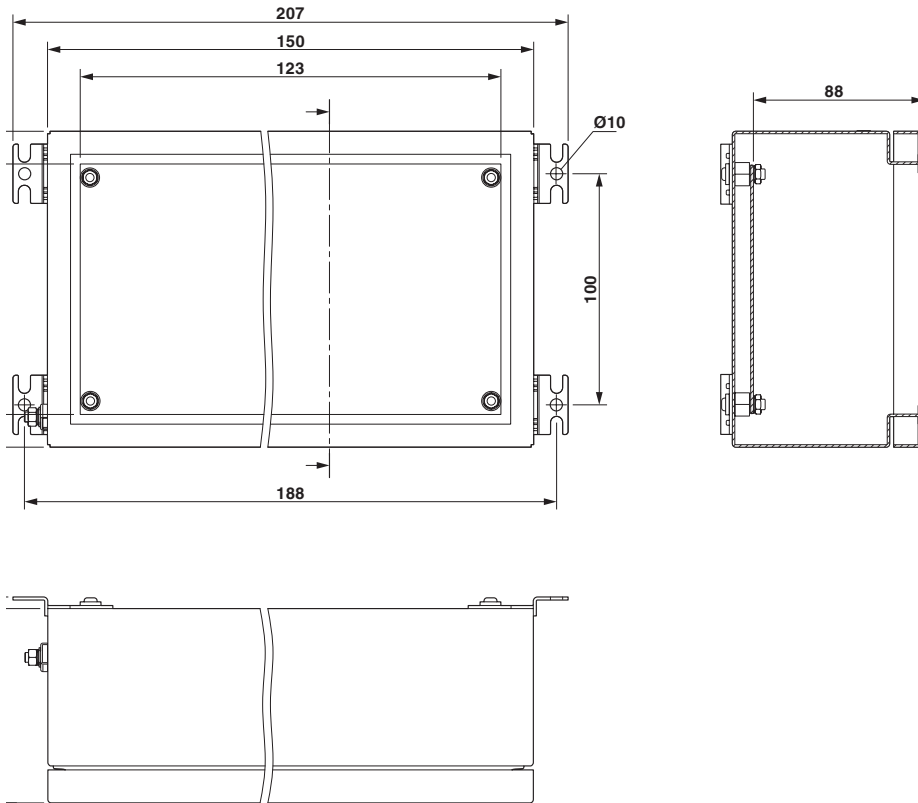


0899010

<https://www.phoenixcontact.com/us/products/0899010>

Drawings

Dimensional drawing



E S6 A 150X150X100 - Empty enclosure

0899010

<https://www.phoenixcontact.com/us/products/0899010>



Schematic diagram



E S6 A 150X150X100 - Empty enclosure



0899010

<https://www.phoenixcontact.com/us/products/0899010>

Classifications

ECLASS

ECLASS-13.0	27180101
ECLASS-15.0	27180101

ETIM

ETIM 10.0	EC000261
-----------	----------

UNSPSC

UNSPSC 21.0	31261500
-------------	----------

E S6 A 150X150X100 - Empty enclosure



0899010

<https://www.phoenixcontact.com/us/products/0899010>

Environmental product compliance

EU RoHS

Fulfills EU RoHS substance requirements	Yes, No exemptions
---	--------------------

EU REACH SVHC

REACH candidate substance (CAS No.)	No substance above 0.1 wt%
-------------------------------------	----------------------------

Phoenix Contact 2026 © - all rights reserved

<https://www.phoenixcontact.com>

Phoenix Contact USA
586 Fulling Mill Road
Middletown, PA 17057, United States
(+717) 944-1300
info@phoenixcon.com