

# E S6 A 150X100X80 - Empty enclosure



0899001

<https://www.phoenixcontact.com/us/products/0899001>

Please be informed that the data shown in this PDF document is generated from our online catalog. Please find the complete data in the user documentation. Our general terms of use for downloads are valid.



Empty enclosure, material: Stainless steel, 316L/1.4404, surface resistance: brushed, silver-colored, 150 mm x 100 mm x 80 mm, type of locking: Screw-on cover, scope of supply - ATD: Fixing angle with mounting screws, M12 grounding bolts, affixed externally, Installation notes, Fixing angle with mounting screws

## Your advantages

- Innovative product range of high-quality stainless steel housings as the basis for individual terminal boxes
- Reduced assembly and approval effort thanks to ready-equipped terminal boxes
- Flange plates possible on four sides of the housing, including seal protection
- Housing adjustments using threads, bore holes, and rectangular cutouts with consideration given to normative specifications

## Commercial data

|                                      |                                |
|--------------------------------------|--------------------------------|
| Item number                          | 0899001                        |
| Packing unit                         | 1 pc                           |
| Minimum order quantity               | 1 pc                           |
| Note                                 | Made to order (non-returnable) |
| Sales key                            | BH91                           |
| Product key                          | BH9112                         |
| GTIN                                 | 4046356927598                  |
| Weight per piece (including packing) | 1.193 kg                       |
| Weight per piece (excluding packing) | 1.193 kg                       |
| Customs tariff number                | 94032080                       |
| Country of origin                    | DE                             |

# E S6 A 150X100X80 - Empty enclosure



0899001

<https://www.phoenixcontact.com/us/products/0899001>

## Technical data

### Notes

|                    |  |
|--------------------|--|
| Notes on operation | Prepared for direct installation of a DIN rail |
|--------------------|--|

### Product properties

|                 |   |
|-----------------|---|
| Product type    | Terminal box                            |
| Scope of supply | Fixing angle with mounting screws       |
|                 | M12 grounding bolts, affixed externally |
|                 | Installation notes                      |

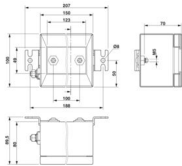
### Insulation characteristics

|                  |   |
|------------------|---|
| Protection class | I |
|------------------|---|

### Electrical properties

|                           |                        |
|---------------------------|------------------------|
| Maximum power dissipation | 5 W (T6 up to 40 °C)   |
|                           | 3.1 W (T6 up to 55 °C) |
|                           | 1.8 W (T6 up to 65 °C) |
|                           | 6.9 W (T5 up to 40 °C) |
|                           | 5 W (T5 up to 55 °C)   |
|                           | 3.8 W (T5 up to 65 °C) |
|                           | 8.1 W (T4 up to 40 °C) |
|                           | 3.9 W (T4 up to 55 °C) |
| 5 W (T4 up to 65 °C)      |                        |

### Dimensions

|  |  |
|--|--|
| Dimensional drawing                      |  |
| Width                                    | 150 mm   |
| Height                                   | 100 mm   |
| Depth                                    | 80 mm  |
| Clearance width, maximum DIN rail length | 140 mm   |
| Drill hole spacing                       | 100 mm   |
| Max. material thickness                  | 1.5 mm   |

### Material specifications

|                         |                              |
|-------------------------|------------------------------|
| Color                   | silver-colored               |
| Material                | Stainless steel, 316L/1.4404 |
| Seal material           | Silicon                      |
| Surface characteristics | brushed                      |

# E S6 A 150X100X80 - Empty enclosure



0899001

<https://www.phoenixcontact.com/us/products/0899001>

|      |           |
|------|-----------|
| Note | 240 grain |
|------|-----------|

## Mechanical properties

### General

|                       |                             |
|-----------------------|-----------------------------|
| Type of locking (GRP) | Screw-on cover Allen screws |
|-----------------------|-----------------------------|

### Technical data

|                    |        |
|--------------------|--------|
| Drill hole spacing | 100 mm |
|--------------------|--------|

## Environmental and real-life conditions

### Degree of protection (IP code)

|                      |      |
|----------------------|------|
| Degree of protection | IP66 |
|----------------------|------|

### Ambient conditions

|                                 |                   |
|---------------------------------|-------------------|
| Ambient temperature (operation) | -55 °C ... 135 °C |
|---------------------------------|-------------------|

## Mounting

|               |                       |
|---------------|-----------------------|
| Assembly note | External fixing clips |
|---------------|-----------------------|

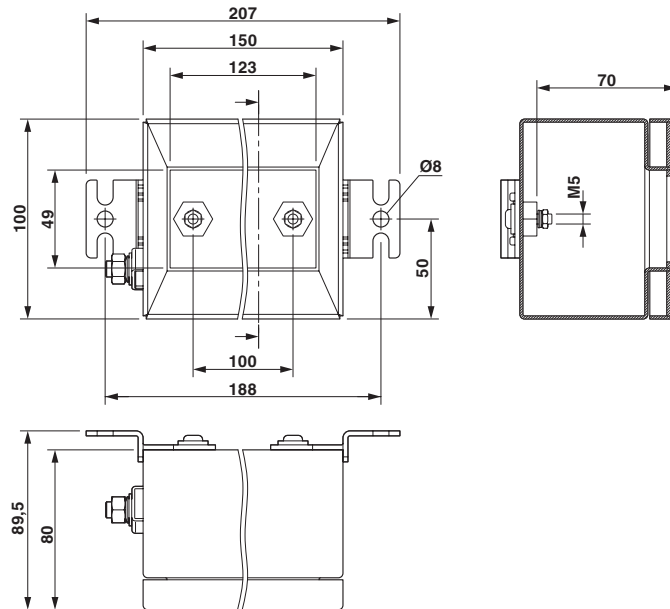
# E S6 A 150X100X80 - Empty enclosure

0899001

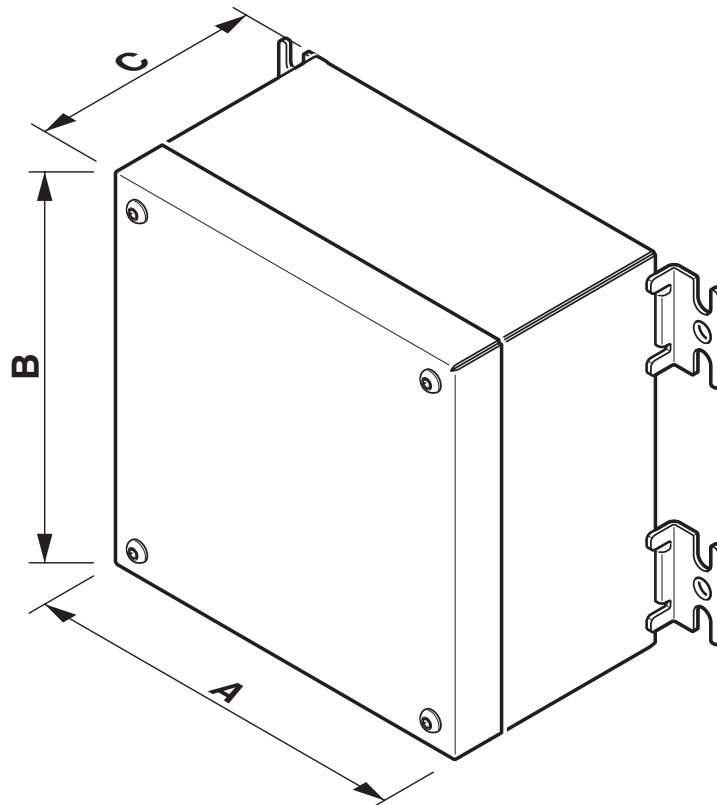
<https://www.phoenixcontact.com/us/products/0899001>

## Drawings

Dimensional drawing



Schematic diagram



# E S6 A 150X100X80 - Empty enclosure



0899001

<https://www.phoenixcontact.com/us/products/0899001>

## Classifications

### ECLASS

|             |          |
|-------------|----------|
| ECLASS-13.0 | 27180101 |
| ECLASS-15.0 | 27180101 |

### ETIM

|           |          |
|-----------|----------|
| ETIM 10.0 | EC000261 |
|-----------|----------|

### UNSPSC

|             |          |
|-------------|----------|
| UNSPSC 21.0 | 31261500 |
|-------------|----------|

# E S6 A 150X100X80 - Empty enclosure



0899001

<https://www.phoenixcontact.com/us/products/0899001>

## Environmental product compliance

### EU RoHS

|   |                    |
|---|--------------------|
| Fulfills EU RoHS substance requirements | Yes, No exemptions |
|---|--------------------|

### China RoHS

|  |  |
|--|--|
| Environment friendly use period (EFUP) | EFUP-E                                   |
|  | No hazardous substances above the limits |

### EU REACH SVHC

|                                     |                            |
|-------------------------------------|----------------------------|
| REACH candidate substance (CAS No.) | No substance above 0.1 wt% |
|-------------------------------------|----------------------------|

Phoenix Contact 2026 © - all rights reserved  
<https://www.phoenixcontact.com>

Phoenix Contact USA  
586 Fulling Mill Road  
Middletown, PA 17057, United States  
(+717) 944-1300  
[info@phoenixcon.com](mailto:info@phoenixcon.com)