

TOPMARK LASER STATION - Cart for printer



0831835

<https://www.phoenixcontact.com/us/products/0831835>

Please be informed that the data shown in this PDF document is generated from our online catalog. Please find the complete data in the user documentation. Our general terms of use for downloads are valid.



Unit for accommodating the TOPMARK LASER or TOPMARK NEO with space for an extraction unit and a notebook

Your advantages

- Sturdy sheet steel transport trolley for laser marking systems from Phoenix Contact
- Space for the devices and materials required for laser marking, including extraction system
- Ergonomic positioning of the devices with quick and easy access
- Large castors with locking on one side for effortless maneuvering

Commercial data

Item number	0831835
Packing unit	1 pc
Minimum order quantity	1 pc
Sales key	BG03
Product key	BG125Z
GTIN	4046356948821
Weight per piece (including packing)	100,000 g
Weight per piece (excluding packing)	100,000 g
Customs tariff number	94032080
Country of origin	DE

TOPMARK LASER STATION - Cart for printer



0831835

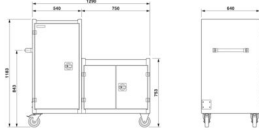
<https://www.phoenixcontact.com/us/products/0831835>

Technical data

Product properties

Product type	Printing system accessories
--------------	-----------------------------

Dimensions

Dimensional drawing	
Width	1371 mm
Height	1183 mm
Length	640 mm

Material specifications

Material	Sheet steel
----------	-------------

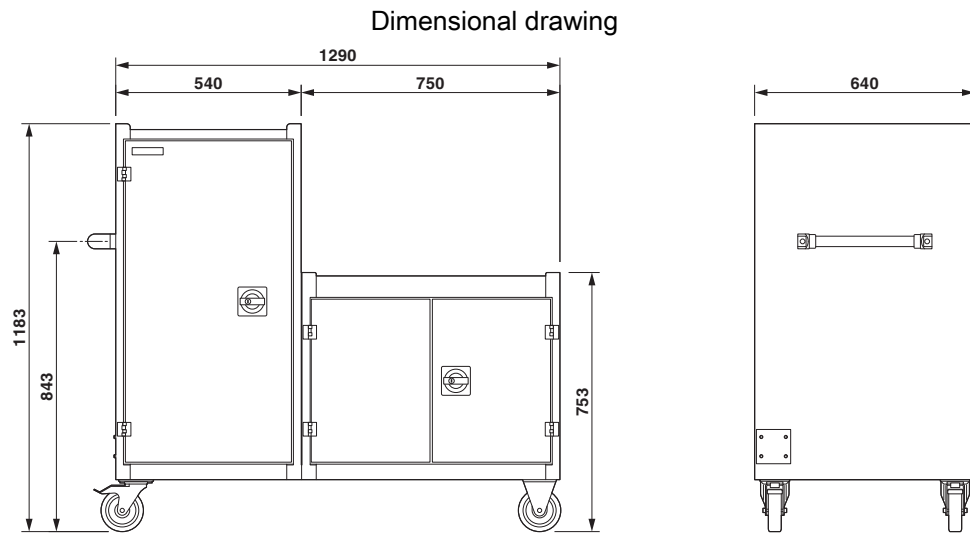
TOPMARK LASER STATION - Cart for printer

0831835

<https://www.phoenixcontact.com/us/products/0831835>



Drawings



TOPMARK LASER STATION - Cart for printer



0831835

<https://www.phoenixcontact.com/us/products/0831835>

Classifications

ECLASS

ECLASS-13.0

19140192

ETIM

ETIM 9.0

EC001675

UNSPSC

UNSPSC 21.0

43211600

TOPMARK LASER STATION - Cart for printer



0831835

<https://www.phoenixcontact.com/us/products/0831835>

Environmental product compliance

EU RoHS

Fulfills EU RoHS substance requirements	Not applicable, No electrical and electronic equipment (EEE), cannot be used in EEE
---	---

EU REACH SVHC

REACH candidate substance (CAS No.)	No substance above 0.1 wt%
-------------------------------------	----------------------------

Phoenix Contact 2026 © - all rights reserved

<https://www.phoenixcontact.com>

Phoenix Contact USA
586 Fulling Mill Road
Middletown, PA 17057, United States
(+717) 944-1300
info@phoenixcon.com