

ZKS M6X12 SW 3,0 - Screw

0807025

<https://www.phoenixcontact.com/us/products/0807025>

Please be informed that the data shown in this PDF document is generated from our online catalog. Please find the complete data in the user documentation. Our general terms of use for downloads are valid.

Pan head screw, for fixing DIN rails, extra-flat screw head, with hexagonal socket head, WAF 3



Commercial data

| | |
|--------------------------------------|---------------|
| Item number | 0807025 |
| Packing unit | 100 pc |
| Minimum order quantity | 100 pc |
| Sales key | BE07 |
| Product key | BE711Z |
| GTIN | 4017918138769 |
| Weight per piece (including packing) | 2.592 g |
| Weight per piece (excluding packing) | 2.43 g |
| Customs tariff number | 73181552 |
| Country of origin | DE |

ZKS M6X12 SW 3,0 - Screw

0807025

<https://www.phoenixcontact.com/us/products/0807025>

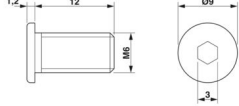


Technical data

Product properties

| | |
|--------------|-------------------|
| Product type | Mounting material |
|--------------|-------------------|

Dimensions

| | |
|---------------------|--|
| Dimensional drawing |  |
| Width | 9 mm |
| Height | 12.8 mm |
| Length | 12.8 mm |

Material specifications

| | |
|----------|-------|
| Material | Steel |
|----------|-------|

ZKS M6X12 SW 3,0 - Screw

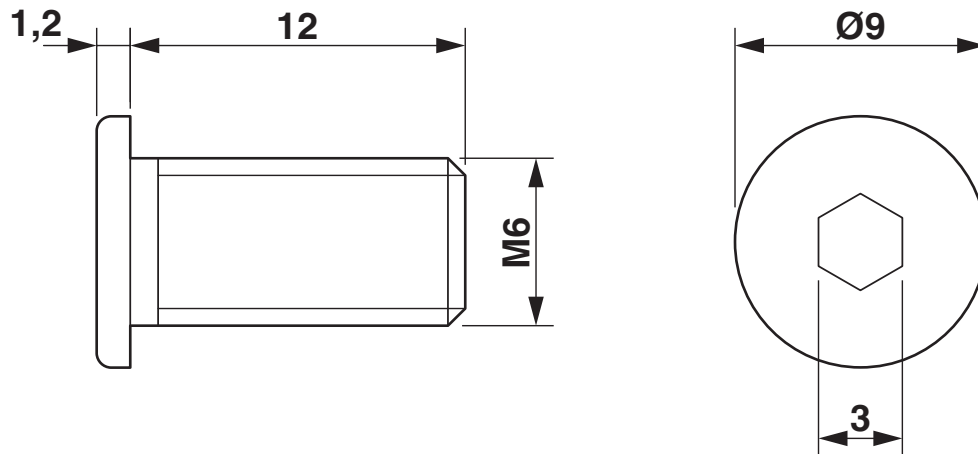
0807025

<https://www.phoenixcontact.com/us/products/0807025>



Drawings

Dimensional drawing



ZKS M6X12 SW 3,0 - Screw



0807025

<https://www.phoenixcontact.com/us/products/0807025>

Classifications

ECLASS

| | |
|-------------|----------|
| ECLASS-15.0 | 27141190 |
| ECLASS-13.0 | 27141190 |

ETIM

| | |
|-----------|----------|
| ETIM 10.0 | EC002848 |
|-----------|----------|

UNSPSC

| | |
|-------------|----------|
| UNSPSC 21.0 | 39121400 |
|-------------|----------|

ZKS M6X12 SW 3,0 - Screw



0807025

<https://www.phoenixcontact.com/us/products/0807025>

Environmental product compliance

EU RoHS

| | |
|---|--------------|
| Fulfills EU RoHS substance requirements | Yes |
| Exemption | 6(a), 6(a)-I |

China RoHS

| | |
|--|---|
| Environment friendly use period (EFUP) | EFUP-50 |
| | An article-related China RoHS declaration table can be found in the download area for the respective article under "Manufacturer declaration". For all articles with EFUP-E, no China RoHS declaration table issued and required. |

EU REACH SVHC

| | |
|-------------------------------------|--------------------------------------|
| REACH candidate substance (CAS No.) | Lead(CAS: 7439-92-1) |
| SCIP | 2fe05444-2871-4a73-a0e5-828f5f9f272f |

EF3.1 Climate Change

| | |
|---------|---------------|
| CO2e kg | 0.044 kg CO2e |
|---------|---------------|

Phoenix Contact 2026 © - all rights reserved
<https://www.phoenixcontact.com>

Phoenix Contact USA
586 Fulling Mill Road
Middletown, PA 17057, United States
(+717) 944-1300
info@phoenixcon.com