

EO-E/PT/SH/LED/GN - Socket



0804023

<https://www.phoenixcontact.com/us/products/0804023>

Please be informed that the data shown in this PDF document is generated from our online catalog. Please find the complete data in the user documentation. Our general terms of use for downloads are valid.



Socket, with extended touch protection/shutter, LED display, Pin connector pattern type E, connection method: Push-in spring connection, color: green, nom. voltage: 250 V AC (50 Hz), nominal current: 16 A, for mounting on a DIN rail in the service interface or direct mounting, standards/specifications: NF C61-314, IEC 60884-1, Country marking: France

Commercial data

| | |
|--------------------------------------|---------------|
| Item number | 0804023 |
| Packing unit | 5 pc |
| Minimum order quantity | 5 pc |
| Sales key | BE76 |
| Product key | BE7622 |
| GTIN | 4055626225654 |
| Weight per piece (including packing) | 76.45 g |
| Weight per piece (excluding packing) | 76.45 g |
| Customs tariff number | 85366990 |
| Country of origin | PL |

Technical data

Notes

General

| | |
|------|--|
| Note | The nominal current does not apply for fuse versions. In this case, the current is determined by the fuse. |
|------|--|

Product properties

| | |
|--------------|--------|
| Product type | Socket |
| Country ID | France |

Connection data

| | |
|---|--|
| Connection method | Push-in spring connection |
| Note | The electrical outlets with Push-in connection are not designed for through-wiring. Connect a maximum of one conductor to each terminal point. Multiple assignment of one terminal point is not permitted. |
| Stripping length | 10 mm |
| Internal cylindrical gage | A3 B3 |
| Conductor cross-section rigid | 0.2 mm ² ... 4 mm ² |
| Cross section AWG | 24 ... 12 (converted acc. to IEC) |
| Conductor cross-section flexible | 0.25 mm ² ... 2.5 mm ² |
| Conductor cross-section, flexible [AWG] | 24 ... 14 (converted acc. to IEC) |
| Conductor cross-section flexible (ferrule without plastic sleeve) | 0.25 mm ² ... 2.5 mm ² |
| Flexible conductor cross-section (ferrule with plastic sleeve) | 0.25 mm ² ... 2.5 mm ² |
| Conductor cross-section flexible (2 conductors with the same cross-section, with TWIN ferrule and plastic sleeve) | 0.25 mm ² ... 2.5 mm ² |
| Nominal current | 16 A |
| Nominal voltage | 250 V AC (50 Hz) |

Connection cross sections directly pluggable

| | |
|---|---|
| Conductor cross-section rigid | 0.5 mm ² ... 4 mm ² |
| Conductor cross-section flexible (ferrule without plastic sleeve) | 1 mm ² ... 2.5 mm ² |
| Flexible conductor cross-section (ferrule with plastic sleeve) | 1 mm ² ... 2.5 mm ² |

Signaling

| | |
|----------------|-----|
| Status display | yes |
|----------------|-----|

Dimensions

| | |
|--------------------|---------|
| Width | 45 mm |
| Height | 75 mm |
| Depth | 59.2 mm |
| Depth on NS 35/7,5 | 60 mm |
| Depth on NS 35/15 | 67.5 mm |

| | |
|---------------|--------|
| Hole diameter | 4.4 mm |
|---------------|--------|

Material specifications

| | |
|--|------------------|
| Color | green (RAL 6021) |
| Flammability rating according to UL 94 | V0 |
| Insulating material | PA |
| Contact material | CuZn38 |
| Static insulating material application in cold | -60 °C |
| Relative insulation material temperature index (Elec., UL 746 B) | 130 °C |
| Fire protection for rail vehicles (DIN EN 45545-2) R22 | HL 1 - HL 3 |
| Fire protection for rail vehicles (DIN EN 45545-2) R23 | HL 1 - HL 3 |
| Fire protection for rail vehicles (DIN EN 45545-2) R24 | HL 1 - HL 3 |
| Fire protection for rail vehicles (DIN EN 45545-2) R26 | HL 1 - HL 3 |
| Surface flammability NFPA 130 (ASTM E 162) | passed |
| Specific optical density of smoke NFPA 130 (ASTM E 662) | passed |
| Smoke gas toxicity NFPA 130 (SMP 800C) | passed |

Connector

| | |
|--------------|------------------------------|
| Type of plug | Pin connector pattern type E |
|--------------|------------------------------|

Environmental and real-life conditions

Oscillation/broadband noise

| | |
|------------------------|--|
| Specification | DIN EN 50155 (VDE 0115-200):2022-06 |
| Spectrum | Long life test category 2, bogie-mounted |
| Frequency | $f_1 = 5 \text{ Hz}$ to $f_2 = 250 \text{ Hz}$ |
| ASD level | $6.12 \text{ (m/s}^2\text{)}^2\text{/Hz}$ |
| Acceleration | 3.12g |
| Test duration per axis | 5 h |
| Test directions | X-, Y- and Z-axis |
| Result | Test passed |

Shocks

| | |
|--------------------------------|-------------------------------------|
| Specification | DIN EN 50155 (VDE 0115-200):2022-06 |
| Pulse shape | Half-sine |
| Acceleration | 30g |
| Shock duration | 18 ms |
| Number of shocks per direction | 3 |
| Test directions | X-, Y- and Z-axis (pos. and neg.) |
| Result | Test passed |

Ambient conditions

| | |
|---------------------------------|---|
| Degree of protection | IP20 |
| Ambient temperature (operation) | -5 °C ... 40 °C (according to IEC 60884-1, average value over a period of 24 hours not above +35°C) |

EO-E/PT/SH/LED/GN - Socket



0804023

<https://www.phoenixcontact.com/us/products/0804023>

| | |
|--|---|
| Ambient temperature (storage/transport) | -25 °C ... 60 °C (for a short time, not exceeding 24 h, -60 °C to +70 °C) |
| Permissible humidity (storage/transport) | 30 % ... 70 % |
| Resistance against air humidity | 95 % ... 48 h |

Standards and regulations

Standards

| | |
|-----------------------|-------------|
| Standards/regulations | NF C61-314 |
| | IEC 60884-1 |

Mounting

| | |
|---------------|--|
| Mounting type | for mounting on a DIN rail in the service interface or direct mounting |
|---------------|--|

EO-E/PT/SH/LED/GN - Socket

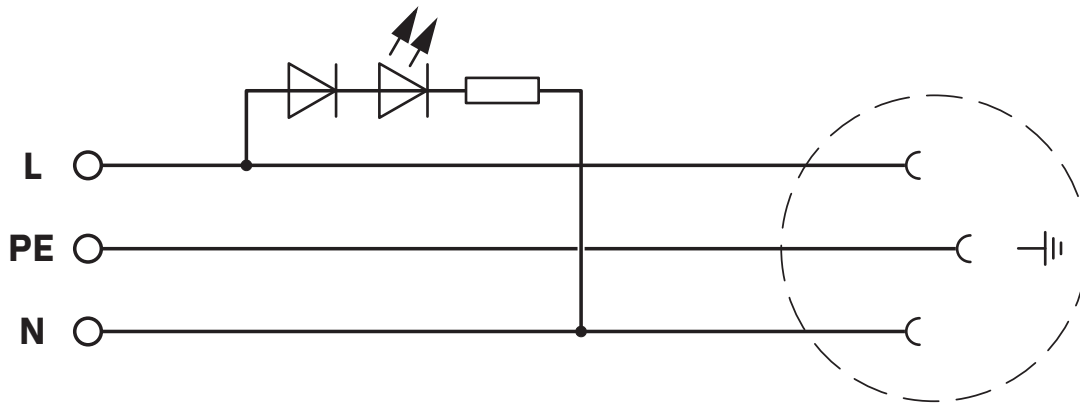


0804023

<https://www.phoenixcontact.com/us/products/0804023>

Drawings

Circuit diagram



EO-E/PT/SH/LED/GN - Socket




0804023

<https://www.phoenixcontact.com/us/products/0804023>

Approvals

To download certificates, visit the product detail page: <https://www.phoenixcontact.com/us/products/0804023>

|  VDE Gutachten mit Fertigungsüberwachung Approval ID: 40048940 | | | | |
|---|-----------------------|-----------------------|-------------------|-----------------------------|
| | Nominal voltage U_N | Nominal current I_N | Cross section AWG | Cross section mm^2 |
| keine | | | | |
| | 250 V | 16 A | - | - |

|  EAC-RoHS Approval ID: RU D-DE.HB49.B.00025 | |
|--|--|
|--|--|

|  EAC Approval ID: KZ7500651131219505 | |
|---|--|
|---|--|

EO-E/PT/SH/LED/GN - Socket



0804023

<https://www.phoenixcontact.com/us/products/0804023>

Classifications

ECLASS

| | |
|-------------|----------|
| ECLASS-13.0 | 27142305 |
| ECLASS-15.0 | 27142305 |

ETIM

| | |
|-----------|----------|
| ETIM 10.0 | EC001663 |
|-----------|----------|

UNSPSC

| | |
|-------------|----------|
| UNSPSC 21.0 | 39121400 |
|-------------|----------|

Environmental product compliance

EU RoHS

| | |
|---|--------------|
| Fulfills EU RoHS substance requirements | Yes |
| Exemption | 7(a), 7(c)-I |

China RoHS

| | |
|--|---|
| Environment friendly use period (EFUP) | EFUP-50 |
| | An article-related China RoHS declaration table can be found in the download area for the respective article under "Manufacturer declaration". For all articles with EFUP-E, no China RoHS declaration table issued and required. |

EU REACH SVHC

| | |
|-------------------------------------|--------------------------------------|
| REACH candidate substance (CAS No.) | Lead(CAS: 7439-92-1) |
| SCIP | 59d7ac41-6271-436e-aa03-f60485c9c0f8 |

EF3.1 Climate Change

| | |
|---------|---------------|
| CO2e kg | 0.574 kg CO2e |
|---------|---------------|

Phoenix Contact 2026 © - all rights reserved
<https://www.phoenixcontact.com>

Phoenix Contact USA
 586 Fulling Mill Road
 Middletown, PA 17057, United States
 (+717) 944-1300
info@phoenixcon.com