

# CES-B24-WRG-BK - Flat gasket



0801727

<https://www.phoenixcontact.com/us/products/0801727>

Please be informed that the data shown in this PDF document is generated from our online catalog. Please find the complete data in the user documentation. Our general terms of use for downloads are valid.

Flat gasket made of NBR, size B24



## Commercial data

Item number	0801727
Packing unit	10 pc
Minimum order quantity	1 pc
Sales key	BF67
Product key	AF7CZX
GTIN	4046356675260
Weight per piece (including packing)	13 g
Weight per piece (excluding packing)	3.24 g
Customs tariff number	40169300
Country of origin	DE

# CES-B24-WRG-BK - Flat gasket



0801727

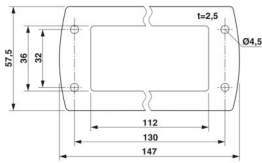
<https://www.phoenixcontact.com/us/products/0801727>

## Technical data

### Product properties

Product type	Seal
Type	B24

### Dimensions

Dimensional drawing	
Width	57.5 mm
Height	2.5 mm
Length	147 mm
Drill hole distance, horizontal	130 mm
Drill hole distance, vertical	32 mm
Hole diameter	4.5 mm

### Material specifications

Seal material	NBR
---------------	-----

### Environmental and real-life conditions

#### Ambient conditions

Ambient temperature (operation)	-20 °C ... 80 °C (static)
---------------------------------	---------------------------

### Mounting

Assembly note	For IP54 degree of protection. For mounting between sealing frame and mounting panel.
---------------	---

# CES-B24-WRG-BK - Flat gasket

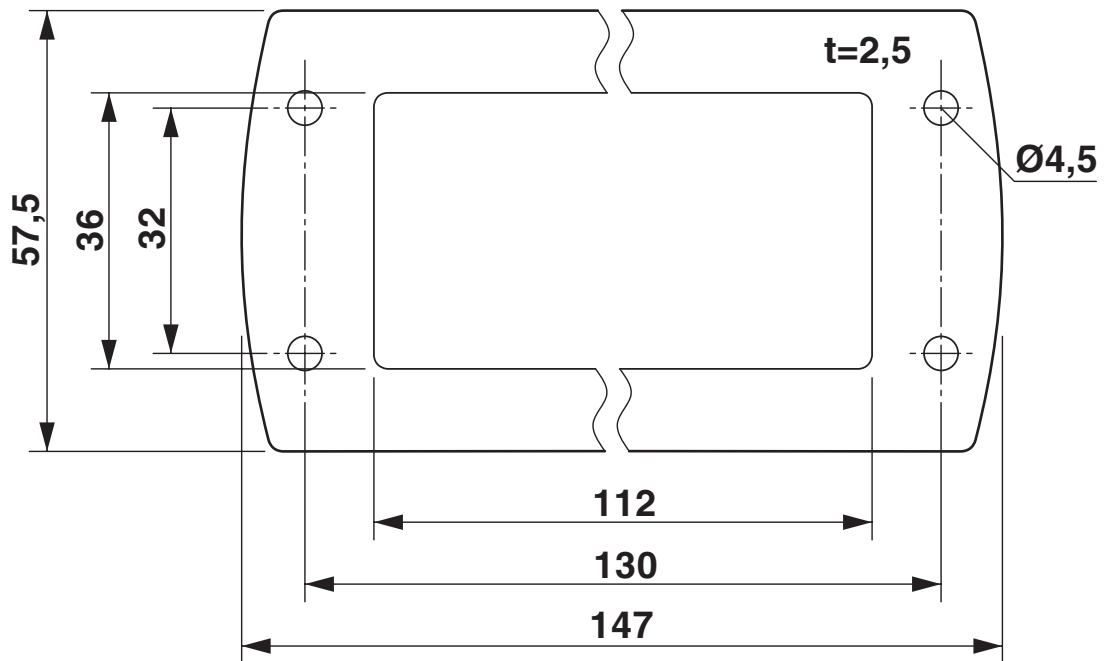


0801727

<https://www.phoenixcontact.com/us/products/0801727>

## Drawings

Dimensional drawing



Dimensional drawing

# CES-B24-WRG-BK - Flat gasket



0801727

<https://www.phoenixcontact.com/us/products/0801727>

## Approvals

🔗 To download certificates, visit the product detail page: <https://www.phoenixcontact.com/us/products/0801727>

**DNV**

Approval ID: TAE00003VJ

# CES-B24-WRG-BK - Flat gasket



0801727

<https://www.phoenixcontact.com/us/products/0801727>

## Classifications

### ECLASS

ECLASS-13.0	23071590
ECLASS-15.0	23071501

### ETIM

ETIM 10.0	EC002943
-----------	----------

### UNSPSC

UNSPSC 21.0	31401600
-------------	----------

# CES-B24-WRG-BK - Flat gasket



0801727

<https://www.phoenixcontact.com/us/products/0801727>

## Environmental product compliance

### EU RoHS

Fulfills EU RoHS substance requirements	Yes, No exemptions
---	--------------------

### China RoHS

Environment friendly use period (EFUP)	EFUP-E
	No hazardous substances above the limits

### EU REACH SVHC

REACH candidate substance (CAS No.)	No substance above 0.1 wt%
-------------------------------------	----------------------------

### EF3.1 Climate Change

CO2e kg	0.582 kg CO2e
---------	---------------

Phoenix Contact 2026 © - all rights reserved  
<https://www.phoenixcontact.com>

Phoenix Contact USA  
586 Fulling Mill Road  
Middletown, PA 17057, United States  
(+717) 944-1300  
[info@phoenixcon.com](mailto:info@phoenixcon.com)