

CES-B16-WRG-BK - Flat gasket



0801726

<https://www.phoenixcontact.com/us/products/0801726>

Please be informed that the data shown in this PDF document is generated from our online catalog. Please find the complete data in the user documentation. Our general terms of use for downloads are valid.

Flat gasket made of NBR, size B16



Commercial data

Item number	0801726
Packing unit	10 pc
Minimum order quantity	1 pc
Sales key	BF67
Product key	AF7CZX
GTIN	4046356675253
Weight per piece (including packing)	11.33 g
Weight per piece (excluding packing)	2.91 g
Customs tariff number	40169300
Country of origin	DE

CES-B16-WRG-BK - Flat gasket



0801726

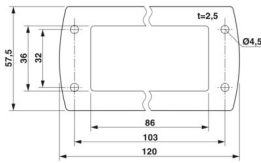
<https://www.phoenixcontact.com/us/products/0801726>

Technical data

Product properties

Product type	Seal
Type	B16

Dimensions

Dimensional drawing	
Width	57.5 mm
Height	2.5 mm
Length	120 mm
Drill hole distance, horizontal	103 mm
Drill hole distance, vertical	32 mm
Hole diameter	4.5 mm

Material specifications

Seal material	NBR
---------------	-----

Environmental and real-life conditions

Ambient conditions

Ambient temperature (operation)	-20 °C ... 80 °C (static)
---------------------------------	---------------------------

Mounting

Assembly note	For IP54 degree of protection. For mounting between sealing frame and mounting panel.
---------------	---

CES-B16-WRG-BK - Flat gasket

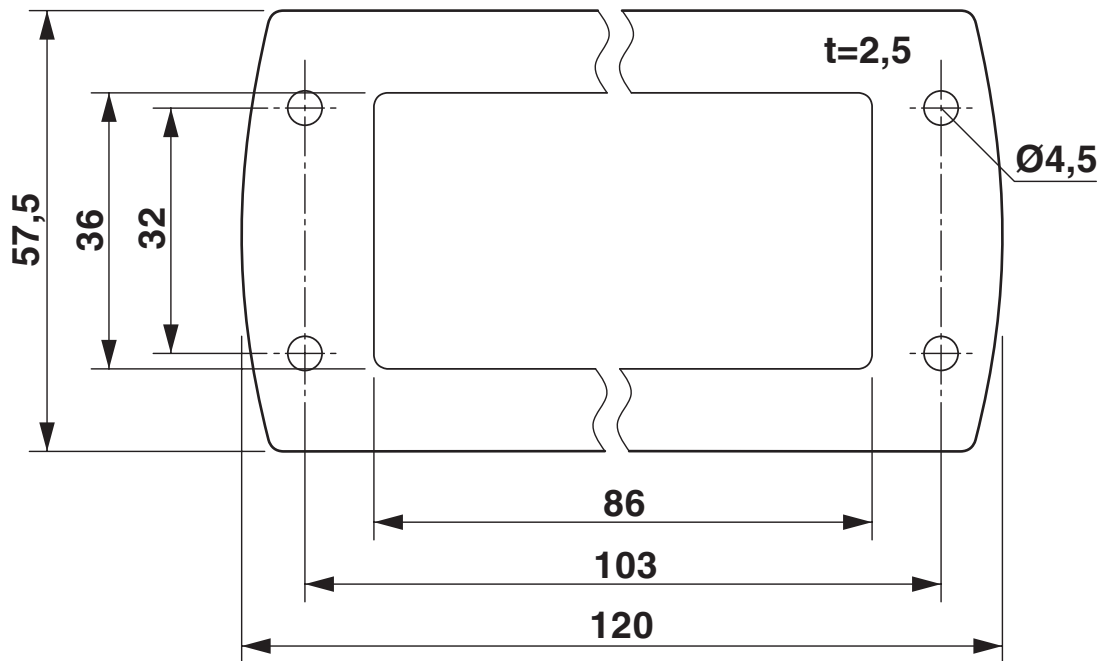


0801726

<https://www.phoenixcontact.com/us/products/0801726>

Drawings

Dimensional drawing



Dimensional drawing

CES-B16-WRG-BK - Flat gasket



0801726

<https://www.phoenixcontact.com/us/products/0801726>

Approvals

🔗 To download certificates, visit the product detail page: <https://www.phoenixcontact.com/us/products/0801726>

DNV

Approval ID: TAE00003VJ

CES-B16-WRG-BK - Flat gasket



0801726

<https://www.phoenixcontact.com/us/products/0801726>

Classifications

ECLASS

ECLASS-13.0	23071590
ECLASS-15.0	27440292

ETIM

ETIM 10.0	EC002943
-----------	----------

UNSPSC

UNSPSC 21.0	31401600
-------------	----------

CES-B16-WRG-BK - Flat gasket



0801726

<https://www.phoenixcontact.com/us/products/0801726>

Environmental product compliance

EU RoHS

Fulfills EU RoHS substance requirements	Yes, No exemptions
---	--------------------

China RoHS

Environment friendly use period (EFUP)	EFUP-E
	No hazardous substances above the limits

EU REACH SVHC

REACH candidate substance (CAS No.)	No substance above 0.1 wt%
-------------------------------------	----------------------------

EF3.1 Climate Change

CO2e kg	0.463 kg CO2e
---------	---------------

Phoenix Contact 2026 © - all rights reserved
<https://www.phoenixcontact.com>

Phoenix Contact USA
586 Fulling Mill Road
Middletown, PA 17057, United States
(+717) 944-1300
info@phoenixcon.com