

# CES-LRC-BK - Cable sleeve

0801719

<https://www.phoenixcontact.com/us/products/0801719>

Please be informed that the data shown in this PDF document is generated from our online catalog. Please find the complete data in the user documentation. Our general terms of use for downloads are valid.



Cable sleeve, large, no. of conductors: 1, type: Round cable, closed, external cable diameter: 1x 7 mm ... 24 mm, material: NBR, color: black, length: 29.5 mm, width: 19.5 mm, height: 17 mm

## Product description

Unslotted sleeves for accommodating cables and lines with a diameter of 7 ... 24 mm, can be used in CES sealing frames

## Commercial data

Item number	0801719
Packing unit	10 pc
Minimum order quantity	1 pc
Sales key	BF67
Product key	AF7CCX
GTIN	4046356675192
Weight per piece (including packing)	34.45 g
Weight per piece (excluding packing)	34.45 g
Customs tariff number	40169997
Country of origin	TW

# CES-LRC-BK - Cable sleeve

0801719

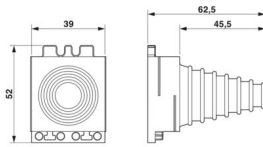
<https://www.phoenixcontact.com/us/products/0801719>

## Technical data

### Product properties

Product type	Cable sleeve
No. of conductors	1

### Dimensions

Dimensional drawing	
Width	19.5 mm
Height	17 mm
Length	29.5 mm

### Material specifications

Material	NBR
----------	-----

### Cable/line

External cable diameter	1x 7 mm ... 24 mm
-------------------------	-------------------

### Characteristics

Seal size	large
Design, Format	Round cable
Design, Cable seal	closed

### Environmental and real-life conditions

#### Ambient conditions

Degree of protection	IP54 IP65 (When using cable ties in combination with the installation direction to the side or downwards)
Ambient temperature (operation)	-40 °C ... 125 °C (static)

### Mounting

Assembly note	IP54: for vertical sealing frame mounting/for horizontal sealing frame mounting (downward cable outlet direction). IP65: vertical mounting/horizontal mounting (downward cable outlet direction) of the sealing frame directly on the housing panel and use of a 3.6 mm wide cable binder (e.g., item 3240744).
---------------	---

# CES-LRC-BK - Cable sleeve

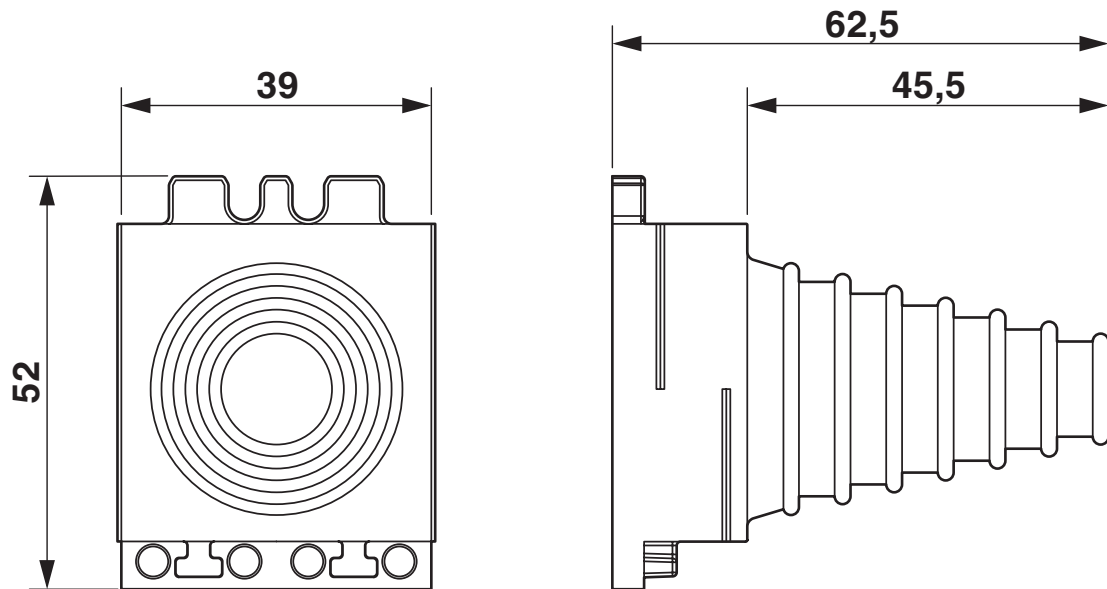
0801719

<https://www.phoenixcontact.com/us/products/0801719>



## Drawings

Dimensional drawing



Dimensional drawing

# CES-LRC-BK - Cable sleeve



0801719

<https://www.phoenixcontact.com/us/products/0801719>

## Approvals

🔗 To download certificates, visit the product detail page: <https://www.phoenixcontact.com/us/products/0801719>

**DNV**

Approval ID: TAE00003VJ

# CES-LRC-BK - Cable sleeve



0801719

<https://www.phoenixcontact.com/us/products/0801719>

## Classifications

### ECLASS

ECLASS-13.0	27144425
ECLASS-15.0	27144425

### ETIM

ETIM 10.0	EC000451
-----------	----------

### UNSPSC

UNSPSC 21.0	39121400
-------------	----------

# CES-LRC-BK - Cable sleeve



0801719

<https://www.phoenixcontact.com/us/products/0801719>

## Environmental product compliance

### EU RoHS

Fulfills EU RoHS substance requirements	Yes, No exemptions
---	--------------------

### China RoHS

Environment friendly use period (EFUP)	EFUP-E
	No hazardous substances above the limits

### EU REACH SVHC

REACH candidate substance (CAS No.)	No substance above 0.1 wt%
-------------------------------------	----------------------------

Phoenix Contact 2026 © - all rights reserved  
<https://www.phoenixcontact.com>

Phoenix Contact USA  
586 Fulling Mill Road  
Middletown, PA 17057, United States  
(+717) 944-1300  
[info@phoenixcon.com](mailto:info@phoenixcon.com)