

CES-STPG-GY - Blind sleeve



0801715

<https://www.phoenixcontact.com/us/products/0801715>

Please be informed that the data shown in this PDF document is generated from our online catalog. Please find the complete data in the user documentation. Our general terms of use for downloads are valid.



Blind sleeve, small, no. of conductors: 0, type: Blind sleeve, closed, material: SEBS (halogen-free), color: gray, length: 29.5 mm, width: 19.5 mm, height: 17 mm

Product description

Blind sleeves seal feed-through sections that are not required in CES sealing frames

Commercial data

Item number	0801715
Packing unit	10 pc
Minimum order quantity	1 pc
Sales key	BF67
Product key	AF7CCX
GTIN	4046356675161
Weight per piece (including packing)	8.15 g
Weight per piece (excluding packing)	8.15 g
Customs tariff number	40169997
Country of origin	PL

CES-STPG-GY - Blind sleeve

0801715

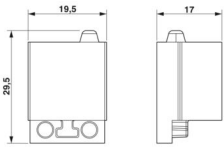
<https://www.phoenixcontact.com/us/products/0801715>

Technical data

Product properties

Product type	Cable sleeve
No. of conductors	0

Dimensions

Dimensional drawing	
Width	19.5 mm
Height	17 mm
Length	29.5 mm

Material specifications

Material	SEBS (halogen-free)
Flammability rating according to UL 94	V0

Characteristics

Conductor sealing range	Blind sleeve
Seal size	small
Design, Format	Blind sleeve
Design, Cable seal	closed

Environmental and real-life conditions

Ambient conditions

Degree of protection	IP54 (Observe the assembly instructions)
Ambient temperature (operation)	-40 °C ... 80 °C (static)

Mounting

Assembly note	IP54: for vertical sealing frame mounting/for horizontal sealing frame mounting (downward cable outlet direction).
---------------	--

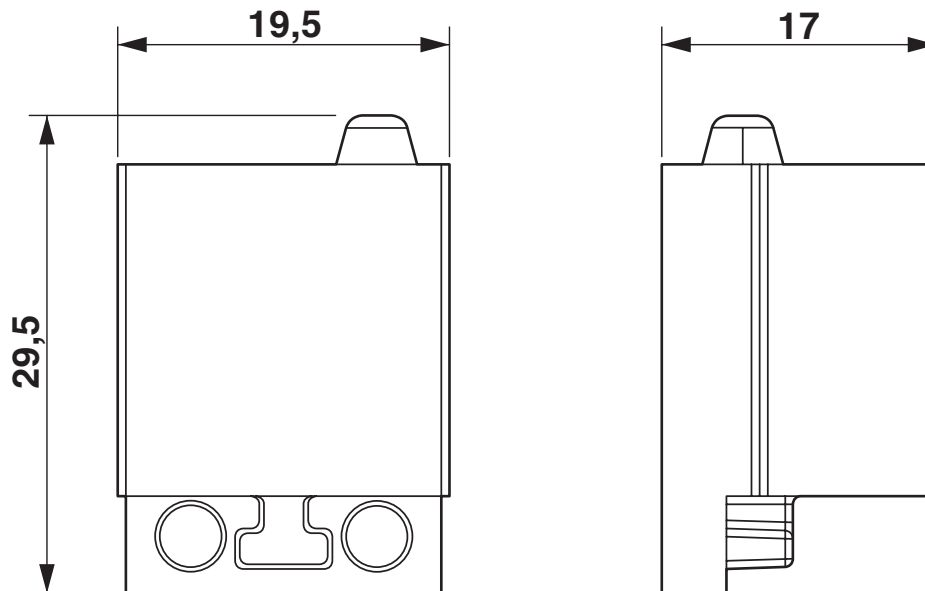
CES-STPG-GY - Blind sleeve

0801715

<https://www.phoenixcontact.com/us/products/0801715>

Drawings

Dimensional drawing



Dimensional drawing

CES-STPG-GY - Blind sleeve



0801715

<https://www.phoenixcontact.com/us/products/0801715>

Approvals

To download certificates, visit the product detail page: <https://www.phoenixcontact.com/us/products/0801715>



cUL Recognized
Approval ID: E255026



UL Recognized
Approval ID: E255026

DNV

Approval ID: TAE00003VJ

CES-STPG-GY - Blind sleeve



0801715

<https://www.phoenixcontact.com/us/products/0801715>

Classifications

ECLASS

ECLASS-13.0	27144425
ECLASS-15.0	27144425

ETIM

ETIM 10.0	EC000451
-----------	----------

UNSPSC

UNSPSC 21.0	39121400
-------------	----------

CES-STPG-GY - Blind sleeve



0801715

<https://www.phoenixcontact.com/us/products/0801715>

Environmental product compliance

EU RoHS

Fulfills EU RoHS substance requirements	Yes, No exemptions
---	--------------------

China RoHS

Environment friendly use period (EFUP)	EFUP-E
	No hazardous substances above the limits

EU REACH SVHC

REACH candidate substance (CAS No.)	No substance above 0.1 wt%
-------------------------------------	----------------------------

EF3.1 Climate Change

CO2e kg	0.058 kg CO2e
---------	---------------

Phoenix Contact 2026 © - all rights reserved
<https://www.phoenixcontact.com>

Phoenix Contact USA
586 Fulling Mill Road
Middletown, PA 17057, United States
(+717) 944-1300
info@phoenixcon.com