

# CES-B10-HFFS-PLBK - Sealing frame



0801663

<https://www.phoenixcontact.com/us/products/0801663>

Please be informed that the data shown in this PDF document is generated from our online catalog. Please find the complete data in the user documentation. Our general terms of use for downloads are valid.



Sealing frame, With locking latch, design: B10, Number of cable seals (small): 6, material: PA (halogen-free), color: black, length: 99.2 mm, width: 58 mm, height: 20 mm

## Your advantages

- Can also be used for standard panel cutouts for heavy-duty industrial connectors

## Commercial data

Item number	0801663
Packing unit	1 pc
Minimum order quantity	1 pc
Sales key	BF67
Product key	AF7CAX
GTIN	4046356674096
Weight per piece (including packing)	128 g
Weight per piece (excluding packing)	121.8 g
Customs tariff number	39269097
Country of origin	PL

# CES-B10-HFFS-PLBK - Sealing frame

0801663

<https://www.phoenixcontact.com/us/products/0801663>

## Technical data

### Notes

Note on application	Mounting screws not supplied as standard. The maximum width of the panel cutout must not exceed 51 mm (instead of 35 mm for heavy-duty industrial connectors).
---------------------	--

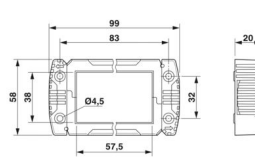
### Product properties

Product type	Frame for cable sleeves
Type	B10
Frame type	Sealing frame

### Connection data

Tightening torque	1.8 Nm (Mounting screw, M4 (ISO 4762/DIN 912))
-------------------	--

### Dimensions

Dimensional drawing	
Width	58 mm
Height	20 mm
Length	99.2 mm
Drill hole distance, horizontal	32 mm
Drill hole distance, vertical	83 mm
Hole diameter	5.5 mm

### Installation dimensions

Width of the assembly cutout	35 mm
Length of the assembly cutout	65 mm

### Material specifications

Color	black (RAL 9005)
Material	PA (halogen-free)
Flammability rating according to UL 94	V0

### Characteristics

Number of cable seals	2 ... 6 (small seals, depending on the number of large seals installed)
	0 ... 1 (large seals, depending on the number of small seals installed)

### Environmental and real-life conditions

Ambient conditions

# CES-B10-HFFS-PLBK - Sealing frame



0801663

<https://www.phoenixcontact.com/us/products/0801663>

Degree of protection	IP54
Ambient temperature (operation)	-40 °C ... 120 °C (static)

## Mounting

Assembly note	One large sleeve requires the space of 4 small sleeves, M4 mounting screws (ISO 4762/DIN 912), torque for mounting screw: 1.8 Nm
	A video tutorial on how to assemble the product can be found in the Downloads area, in the Video category.

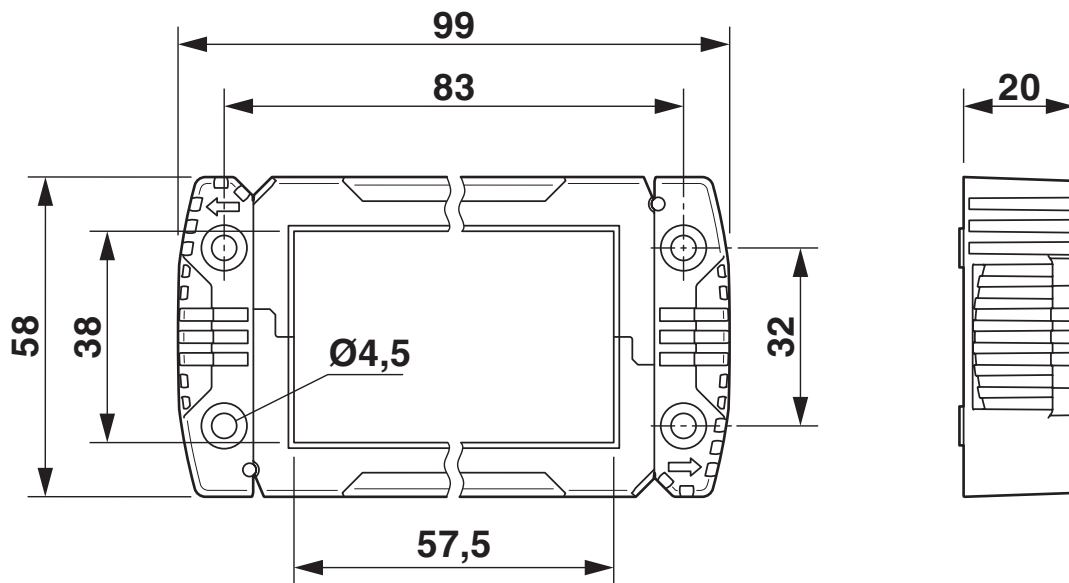
# CES-B10-HFFS-PLBK - Sealing frame

0801663

<https://www.phoenixcontact.com/us/products/0801663>

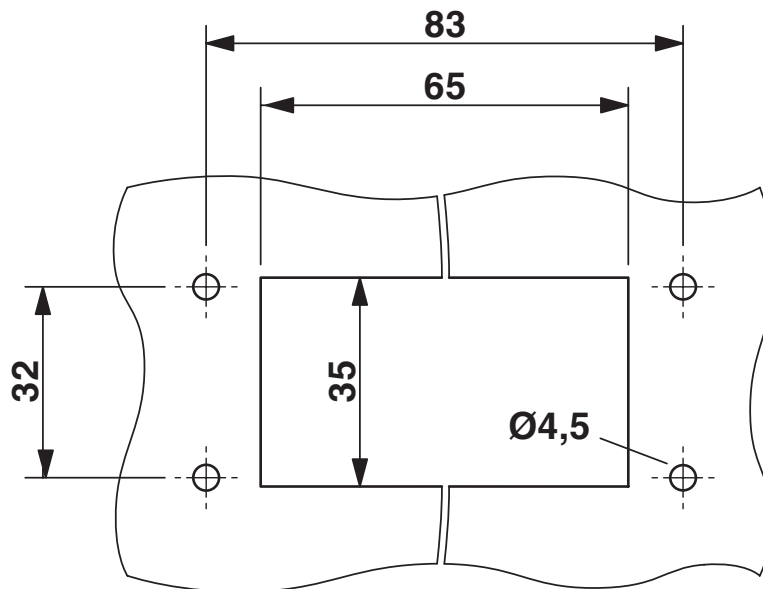
## Drawings

Dimensional drawing



Dimensional drawing

Dimensional drawing



Mounting cutout

# CES-B10-HFFS-PLBK - Sealing frame



0801663

<https://www.phoenixcontact.com/us/products/0801663>

## Approvals

To download certificates, visit the product detail page: <https://www.phoenixcontact.com/us/products/0801663>



**cUL Recognized**

Approval ID: E255026



**UL Recognized**

Approval ID: E255026

**DNV**

Approval ID: TAE00003VJ

# CES-B10-HFFS-PLBK - Sealing frame



0801663

<https://www.phoenixcontact.com/us/products/0801663>

## Classifications

### ECLASS

ECLASS-13.0	27142421
ECLASS-15.0	27182815

### ETIM

ETIM 10.0	EC002624
-----------	----------

### UNSPSC

UNSPSC 21.0	31261500
-------------	----------

# CES-B10-HFFS-PLBK - Sealing frame



0801663

<https://www.phoenixcontact.com/us/products/0801663>

## Environmental product compliance

### EU RoHS

Fulfills EU RoHS substance requirements	Yes, No exemptions
---	--------------------

### China RoHS

Environment friendly use period (EFUP)	EFUP-E
	No hazardous substances above the limits

### EU REACH SVHC

REACH candidate substance (CAS No.)	No substance above 0.1 wt%
-------------------------------------	----------------------------

### EF3.1 Climate Change

CO2e kg	1.381 kg CO2e
---------	---------------

Phoenix Contact 2026 © - all rights reserved  
<https://www.phoenixcontact.com>

Phoenix Contact USA  
586 Fulling Mill Road  
Middletown, PA 17057, United States  
(+717) 944-1300  
[info@phoenixcon.com](mailto:info@phoenixcon.com)