

# CES-B24-HFFS-PLBK - Sealing frame



0801661

<https://www.phoenixcontact.com/us/products/0801661>

Please be informed that the data shown in this PDF document is generated from our online catalog. Please find the complete data in the user documentation. Our general terms of use for downloads are valid.



Sealing frame, With locking latch, design: B24, Number of cable seals (small): 10, material: PA (halogen-free), color: black, length: 147 mm, width: 58 mm, height: 20 mm

## Your advantages

- Can also be used for standard panel cutouts for heavy-duty industrial connectors

## Commercial data

|                                      |               |
|--------------------------------------|---------------|
| Item number                          | 0801661       |
| Packing unit                         | 1 pc          |
| Minimum order quantity               | 1 pc          |
| Sales key                            | BF67          |
| Product key                          | AF7CAX        |
| GTIN                                 | 4046356674119 |
| Weight per piece (including packing) | 181.3 g       |
| Weight per piece (excluding packing) | 171 g         |
| Customs tariff number                | 39269097      |
| Country of origin                    | PL            |

# CES-B24-HFFS-PLBK - Sealing frame



0801661

<https://www.phoenixcontact.com/us/products/0801661>

## Technical data

### Notes

|                     |  |
|---------------------|--|
| Note on application | Mounting screws not supplied as standard. The maximum width of the panel cutout must not exceed 51 mm (instead of 35 mm for heavy-duty industrial connectors). |
|---------------------|--|

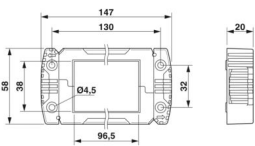
### Product properties

|              |                         |
|--------------|-------------------------|
| Product type | Frame for cable sleeves |
| Type         | B24                     |
| Frame type   | Sealing frame           |

### Connection data

|                   |  |
|-------------------|--|
| Tightening torque | 1.8 Nm (Mounting screw, M4 (ISO 4762/DIN 912)) |
|-------------------|--|

### Dimensions

|                                 |  |
|---------------------------------|--|
| Dimensional drawing             |  |
| Width                           | 58 mm  |
| Height                          | 20 mm  |
| Length                          | 147 mm   |
| Drill hole distance, horizontal | 32 mm  |
| Drill hole distance, vertical   | 130 mm   |
| Hole diameter                   | 5.5 mm   |

### Installation dimensions

|                               |        |
|-------------------------------|--------|
| Width of the assembly cutout  | 35 mm  |
| Length of the assembly cutout | 113 mm |

### Material specifications

|  |                   |
|--|-------------------|
| Color                                  | black (RAL 9005)  |
| Material                               | PA (halogen-free) |
| Flammability rating according to UL 94 | V0                |

### Characteristics

|                       |  |
|-----------------------|--|
| Number of cable seals | 2 ... 10 (small seals, depending on the number of large seals installed) |
|                       | 0 ... 2 (large seals, depending on the number of small seals installed)  |

### Environmental and real-life conditions

#### Ambient conditions

# CES-B24-HFFS-PLBK - Sealing frame



0801661

<https://www.phoenixcontact.com/us/products/0801661>

|                                 |                            |
|---------------------------------|----------------------------|
| Degree of protection            | IP54                       |
| Ambient temperature (operation) | -40 °C ... 120 °C (static) |

## Mounting

|               |  |
|---------------|--|
| Assembly note | One large sleeve requires the space of 4 small sleeves, M4 mounting screws (ISO 4762/DIN 912), torque for mounting screw: 1.8 Nm |
|               | A video tutorial on how to assemble the product can be found in the Downloads area, in the Video category.                       |

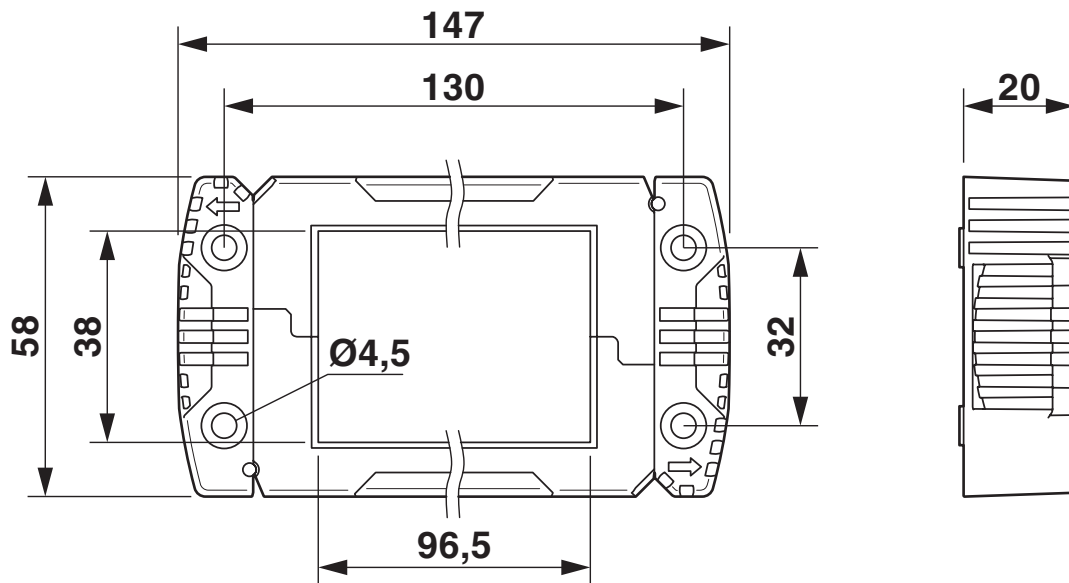
# CES-B24-HFFS-PLBK - Sealing frame

0801661

<https://www.phoenixcontact.com/us/products/0801661>

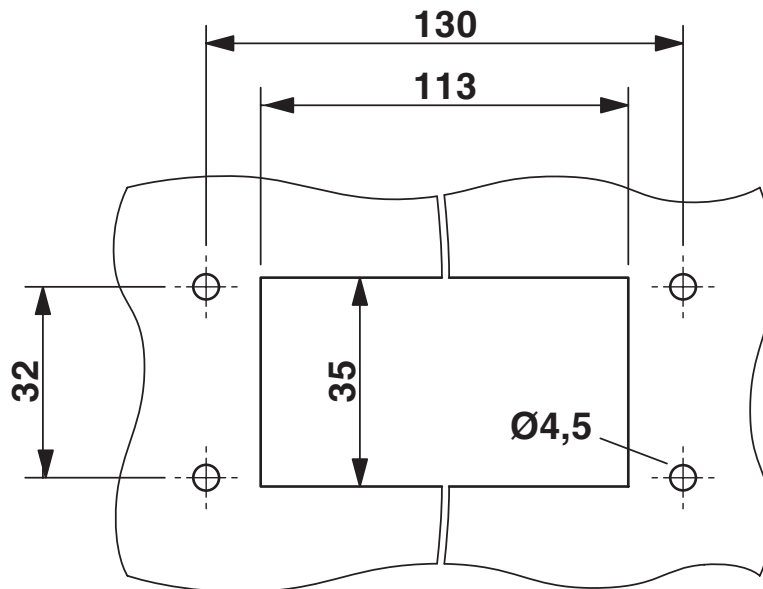
## Drawings

Dimensional drawing



Dimensional drawing

Dimensional drawing



Mounting cutout

# CES-B24-HFFS-PLBK - Sealing frame



0801661

<https://www.phoenixcontact.com/us/products/0801661>

## Approvals

To download certificates, visit the product detail page: <https://www.phoenixcontact.com/us/products/0801661>



**cUL Recognized**

Approval ID: E255026



**UL Recognized**

Approval ID: E255026

**DNV**

Approval ID: TAE00003VJ

# CES-B24-HFFS-PLBK - Sealing frame



0801661

<https://www.phoenixcontact.com/us/products/0801661>

## Classifications

### ECLASS

|             |          |
|-------------|----------|
| ECLASS-13.0 | 27142421 |
| ECLASS-15.0 | 27182815 |

### ETIM

|           |          |
|-----------|----------|
| ETIM 10.0 | EC002624 |
|-----------|----------|

### UNSPSC

|             |          |
|-------------|----------|
| UNSPSC 21.0 | 31261500 |
|-------------|----------|

# CES-B24-HFFS-PLBK - Sealing frame



0801661

<https://www.phoenixcontact.com/us/products/0801661>

## Environmental product compliance

### EU RoHS

|   |                    |
|---|--------------------|
| Fulfills EU RoHS substance requirements | Yes, No exemptions |
|---|--------------------|

### China RoHS

|  |  |
|--|--|
| Environment friendly use period (EFUP) | EFUP-E                                   |
|  | No hazardous substances above the limits |

### EU REACH SVHC

|                                     |                            |
|-------------------------------------|----------------------------|
| REACH candidate substance (CAS No.) | No substance above 0.1 wt% |
|-------------------------------------|----------------------------|

### EF3.1 Climate Change

|         |              |
|---------|--------------|
| CO2e kg | 1.84 kg CO2e |
|---------|--------------|

Phoenix Contact 2026 © - all rights reserved  
<https://www.phoenixcontact.com>

Phoenix Contact USA  
586 Fulling Mill Road  
Middletown, PA 17057, United States  
(+717) 944-1300  
[info@phoenixcon.com](mailto:info@phoenixcon.com)