

CES-B10-SFFS-PLBK - Sealing frame



0801660

<https://www.phoenixcontact.com/us/products/0801660>

Please be informed that the data shown in this PDF document is generated from our online catalog. Please find the complete data in the user documentation. Our general terms of use for downloads are valid.



Sealing frame, with screw locking, design: B10, Number of cable seals (small): 6, material: PA (halogen-free), color: black, length: 99.2 mm, width: 58 mm, height: 20 mm

Your advantages

- Can also be used for standard panel cutouts for heavy-duty industrial connectors

Commercial data

Item number	0801660
Packing unit	1 pc
Minimum order quantity	1 pc
Sales key	BF67
Product key	AF7CAX
GTIN	4046356674126
Weight per piece (including packing)	138 g
Weight per piece (excluding packing)	130.3 g
Customs tariff number	39269097
Country of origin	PL

CES-B10-SFFS-PLBK - Sealing frame



0801660

<https://www.phoenixcontact.com/us/products/0801660>

Technical data

Notes

Note on application	Mounting screws not supplied as standard. The maximum width of the panel cutout must not exceed 51 mm (instead of 35 mm for heavy-duty industrial connectors).
---------------------	--

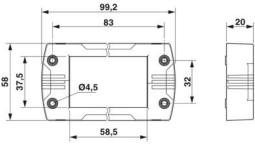
Product properties

Product type	Frame for cable sleeves
Type	B10
Frame type	Sealing frame

Connection data

Tightening torque	2 Nm ... 4 Nm (Locking screw)
	1.8 Nm (Mounting screw, M4 (ISO 4762/DIN 912))

Dimensions

Dimensional drawing	
Width	58 mm
Height	20 mm
Length	99.2 mm
Drill hole distance, horizontal	32 mm
Drill hole distance, vertical	83 mm
Hole diameter	5.5 mm

Installation dimensions

Width of the assembly cutout	35 mm
Length of the assembly cutout	65 mm

Material specifications

Color	black (RAL 9005)
Material	PA (halogen-free)
Flammability rating according to UL 94	V0

Characteristics

Number of cable seals	2 ... 6 (small seals, depending on the number of large seals installed)
	0 ... 1 (large seals, depending on the number of small seals installed)

Environmental and real-life conditions

CES-B10-SFFS-PLBK - Sealing frame



0801660

<https://www.phoenixcontact.com/us/products/0801660>

Ambient conditions

Degree of protection	IP54
	IP65
Ambient temperature (operation)	-40 °C ... 120 °C (static)

Mounting

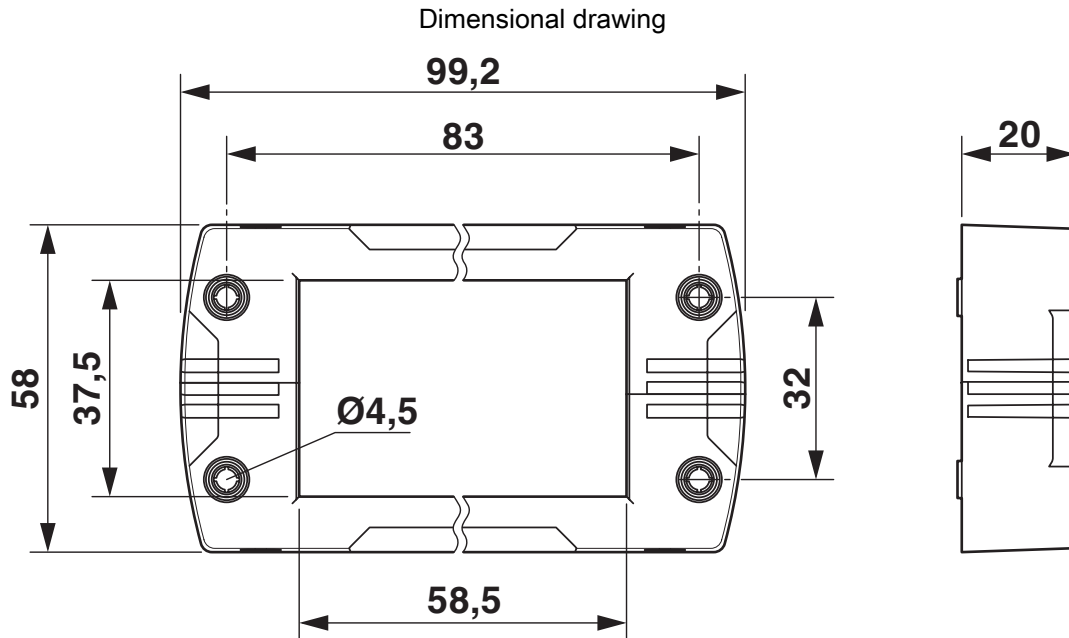
Assembly note	M4 locking screw with 3 mm Allen screw head, 3 ... 4 Nm torque, 1 large sleeve requires the space of 4 small sleeves, mounting screw: M4 (ISO 4762/DIN 912), 1.8 Nm torque
	The flat gasket supplied should be inserted between the wall and the sealing frame in the case of panel mounting. IP54: for vertical sealing frame mounting/for horizontal sealing frame mounting (downward cable outlet direction). IP65: when using the CES-SRC-BK / CES-LRC-BK cone sleeve, for vertical mounting/horizontal mounting (downward cable outlet direction) of the sealing frame directly on the housing panel, and use of a 3.6 mm wide cable binder (e.g., item 3240744).

CES-B10-SFFS-PLBK - Sealing frame

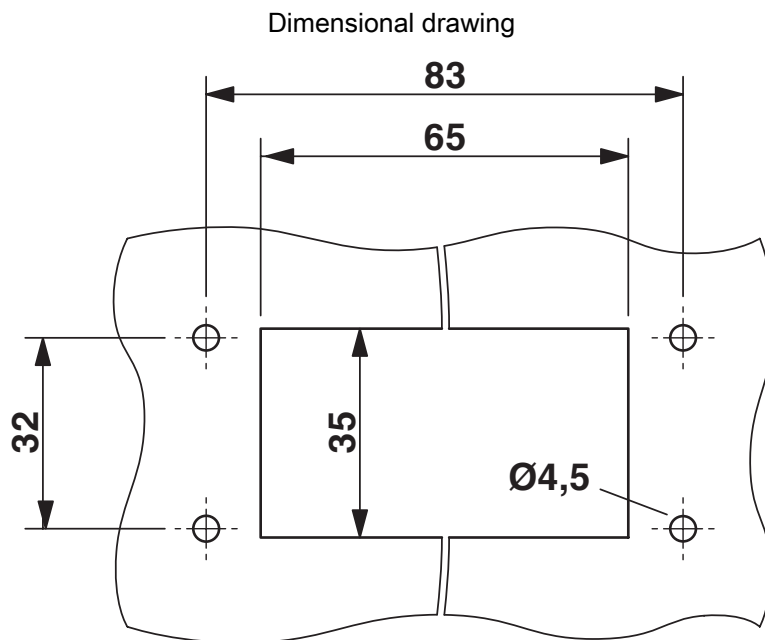
0801660

<https://www.phoenixcontact.com/us/products/0801660>

Drawings



Dimensional drawing



Mounting cutout

CES-B10-SFFS-PLBK - Sealing frame



0801660

<https://www.phoenixcontact.com/us/products/0801660>

Approvals

To download certificates, visit the product detail page: <https://www.phoenixcontact.com/us/products/0801660>



cUL Recognized

Approval ID: E255026



UL Recognized

Approval ID: E255026

DNV

Approval ID: TAE00003VJ

CES-B10-SFFS-PLBK - Sealing frame



0801660

<https://www.phoenixcontact.com/us/products/0801660>

Classifications

ECLASS

ECLASS-13.0	27142421
ECLASS-15.0	27182815

ETIM

ETIM 10.0	EC002624
-----------	----------

UNSPSC

UNSPSC 21.0	31261500
-------------	----------

CES-B10-SFFS-PLBK - Sealing frame



0801660

<https://www.phoenixcontact.com/us/products/0801660>

Environmental product compliance

EU RoHS

Fulfills EU RoHS substance requirements	Yes, No exemptions
---	--------------------

China RoHS

Environment friendly use period (EFUP)	EFUP-E
	No hazardous substances above the limits

EU REACH SVHC

REACH candidate substance (CAS No.)	No substance above 0.1 wt%
-------------------------------------	----------------------------

EF3.1 Climate Change

CO2e kg	1.191 kg CO2e
---------	---------------

Phoenix Contact 2026 © - all rights reserved
<https://www.phoenixcontact.com>

Phoenix Contact USA
586 Fulling Mill Road
Middletown, PA 17057, United States
(+717) 944-1300
info@phoenixcon.com