

# CES-B24-SFFS-PLBK - Sealing frame



0801658

<https://www.phoenixcontact.com/us/products/0801658>

Please be informed that the data shown in this PDF document is generated from our online catalog. Please find the complete data in the user documentation. Our general terms of use for downloads are valid.



Sealing frame, with screw locking, design: B24, Number of cable seals (small): 10, material: PA (halogen-free), color: black, length: 147 mm, width: 58 mm, height: 20 mm

## Your advantages

- Can also be used for standard panel cutouts for heavy-duty industrial connectors

## Commercial data

Item number	0801658
Packing unit	1 pc
Minimum order quantity	1 pc
Sales key	BF67
Product key	AF7CAX
GTIN	4046356674140
Weight per piece (including packing)	198.8 g
Weight per piece (excluding packing)	173.3 g
Customs tariff number	39269097
Country of origin	PL

# CES-B24-SFFS-PLBK - Sealing frame



0801658

<https://www.phoenixcontact.com/us/products/0801658>

## Technical data

### Notes

Note on application	Mounting screws not supplied as standard. The maximum width of the panel cutout must not exceed 51 mm (instead of 35 mm for heavy-duty industrial connectors).
---------------------	--

### Product properties

Product type	Frame for cable sleeves
Type	B24
Frame type	Sealing frame

### Connection data

Tightening torque	2 Nm ... 4 Nm (Locking screw)
	1.8 Nm (Mounting screw, M4 (ISO 4762/DIN 912))

### Dimensions

Dimensional drawing	
Width	58 mm
Height	20 mm
Length	147 mm
Drill hole distance, horizontal	32 mm
Drill hole distance, vertical	130 mm
Hole diameter	5.5 mm

### Installation dimensions

Width of the assembly cutout	35 mm
Length of the assembly cutout	113 mm

### Material specifications

Color	black (RAL 9005)
Material	PA (halogen-free)
Flammability rating according to UL 94	V0

### Characteristics

Number of cable seals	2 ... 10 (small seals, depending on the number of large seals installed)
	0 ... 2 (large seals, depending on the number of small seals installed)

### Environmental and real-life conditions

# CES-B24-SFFS-PLBK - Sealing frame



0801658

<https://www.phoenixcontact.com/us/products/0801658>

## Ambient conditions

Degree of protection	IP54
	IP65
Ambient temperature (operation)	-40 °C ... 120 °C (static)

## Mounting

Assembly note	M4 locking screw with 3 mm Allen screw head, 3 ... 4 Nm torque, 1 large sleeve requires the space of 4 small sleeves, mounting screw: M4 (ISO 4762/DIN 912), 1.8 Nm torque
	The flat gasket supplied should be inserted between the wall and the sealing frame in the case of panel mounting. IP54: for vertical sealing frame mounting/for horizontal sealing frame mounting (downward cable outlet direction). IP65: when using the CES-SRC-BK / CES-LRC-BK cone sleeve, for vertical mounting/horizontal mounting (downward cable outlet direction) of the sealing frame directly on the housing panel, and use of a 3.6 mm wide cable binder (e.g., item 3240744).

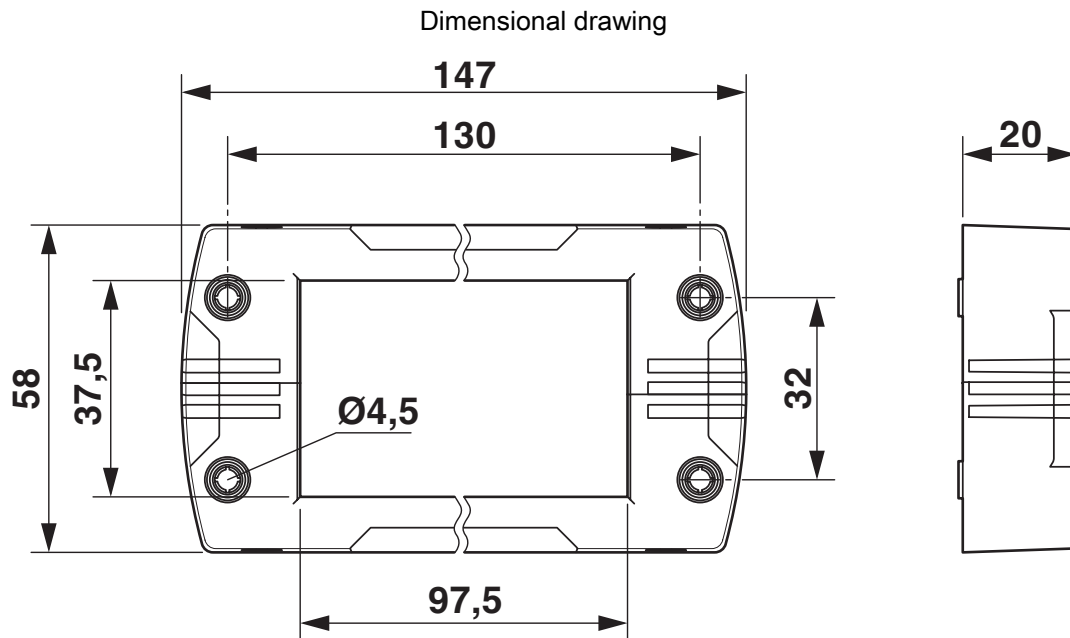
# CES-B24-SFFS-PLBK - Sealing frame



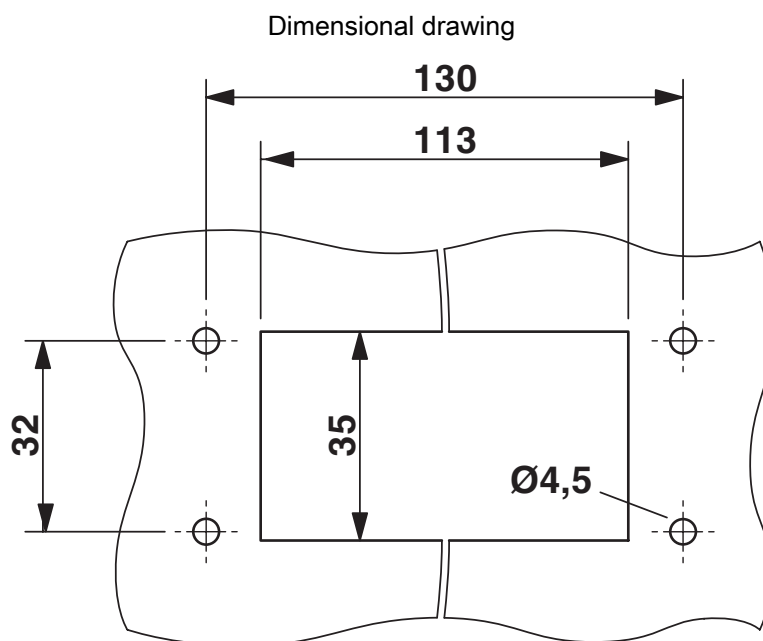
0801658

<https://www.phoenixcontact.com/us/products/0801658>

## Drawings



Dimensional drawing



Mounting cutout

# CES-B24-SFFS-PLBK - Sealing frame



0801658

<https://www.phoenixcontact.com/us/products/0801658>

## Approvals

To download certificates, visit the product detail page: <https://www.phoenixcontact.com/us/products/0801658>



**cUL Recognized**  
Approval ID: E255026



**UL Recognized**  
Approval ID: E255026

**DNV**

Approval ID: TAE00003VJ

# CES-B24-SFFS-PLBK - Sealing frame



0801658

<https://www.phoenixcontact.com/us/products/0801658>

## Classifications

### ECLASS

ECLASS-13.0	27142421
ECLASS-15.0	27182815

### ETIM

ETIM 10.0	EC002624
-----------	----------

### UNSPSC

UNSPSC 21.0	31261500
-------------	----------

# CES-B24-SFFS-PLBK - Sealing frame



0801658

<https://www.phoenixcontact.com/us/products/0801658>

## Environmental product compliance

### EU RoHS

Fulfills EU RoHS substance requirements	Yes, No exemptions
---	--------------------

### China RoHS

Environment friendly use period (EFUP)	EFUP-E
	No hazardous substances above the limits

### EU REACH SVHC

REACH candidate substance (CAS No.)	No substance above 0.1 wt%
-------------------------------------	----------------------------

### EF3.1 Climate Change

CO2e kg	1.675 kg CO2e
---------	---------------

Phoenix Contact 2026 © - all rights reserved  
<https://www.phoenixcontact.com>

Phoenix Contact USA  
586 Fulling Mill Road  
Middletown, PA 17057, United States  
(+717) 944-1300  
[info@phoenixcon.com](mailto:info@phoenixcon.com)