

CES-LRG-BK-30 - Cable sleeve

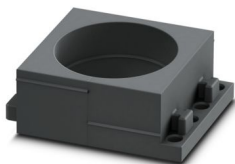


0801650

<https://www.phoenixcontact.com/us/products/0801650>

Please be informed that the data shown in this PDF document is generated from our online catalog. Please find the complete data in the user documentation. Our general terms of use for downloads are valid.

Cable sleeve, large, no. of conductors: 1, type: Round cable, slotted, external cable diameter: 1x 29 mm ... 30 mm, material: NBR, color: black, length: 53 mm, width: 39 mm, height: 17 mm



Product description

Slotted cable sleeve Slotted sleeves for accommodating preassembled cables and lines with a diameter of 29 mm ... 30 mm, can be used in CES sealing frames.

Commercial data

Item number	0801650
Packing unit	10 pc
Minimum order quantity	1 pc
Sales key	BF67
Product key	AF7CCX
GTIN	4046356674409
Weight per piece (including packing)	23.06 g
Weight per piece (excluding packing)	23.06 g
Customs tariff number	40169997
Country of origin	TW

CES-LRG-BK-30 - Cable sleeve

0801650

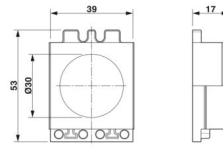
<https://www.phoenixcontact.com/us/products/0801650>

Technical data

Product properties

Product type	Cable sleeve
No. of conductors	1

Dimensions

Dimensional drawing	
Width	39 mm
Height	17 mm
Length	53 mm

Material specifications

Material	NBR
----------	-----

Cable/line

External cable diameter	1x 29 mm ... 30 mm
-------------------------	--------------------

Characteristics

Seal size	large
Design, Format	Round cable
Design, Cable seal	slotted

Environmental and real-life conditions

Ambient conditions

Degree of protection	IP54 (Observe the assembly instructions)
Ambient temperature (operation)	-40 °C ... 125 °C (static)

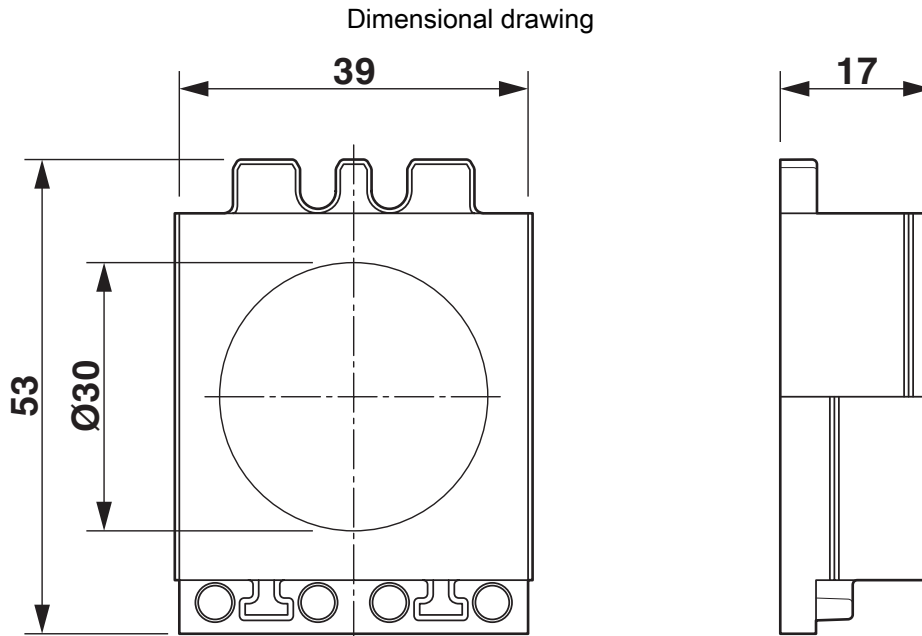
CES-LRG-BK-30 - Cable sleeve



0801650

<https://www.phoenixcontact.com/us/products/0801650>

Drawings



Dimensional drawing

CES-LRG-BK-30 - Cable sleeve



0801650

<https://www.phoenixcontact.com/us/products/0801650>

Approvals

🔗 To download certificates, visit the product detail page: <https://www.phoenixcontact.com/us/products/0801650>

DNV

Approval ID: TAE00003VJ

CES-LRG-BK-30 - Cable sleeve



0801650

<https://www.phoenixcontact.com/us/products/0801650>

Classifications

ECLASS

ECLASS-15.0	27144425
ECLASS-13.0	27144425

ETIM

ETIM 10.0	EC000451
-----------	----------

UNSPSC

UNSPSC 21.0	39121400
-------------	----------

CES-LRG-BK-30 - Cable sleeve



0801650

<https://www.phoenixcontact.com/us/products/0801650>

Environmental product compliance

EU RoHS

Fulfills EU RoHS substance requirements	Yes, No exemptions
---	--------------------

China RoHS

Environment friendly use period (EFUP)	EFUP-E
	No hazardous substances above the limits

EU REACH SVHC

REACH candidate substance (CAS No.)	No substance above 0.1 wt%
-------------------------------------	----------------------------

Phoenix Contact 2026 © - all rights reserved
<https://www.phoenixcontact.com>

Phoenix Contact USA
586 Fulling Mill Road
Middletown, PA 17057, United States
(+717) 944-1300
info@phoenixcon.com