

# CES-LRG-BK-22 - Cable sleeve



0801637

<https://www.phoenixcontact.com/us/products/0801637>

Please be informed that the data shown in this PDF document is generated from our online catalog. Please find the complete data in the user documentation. Our general terms of use for downloads are valid.

Cable sleeve, large, no. of conductors: 1, type: Round cable, slotted, external cable diameter: 1x 21 mm ... 22 mm, material: NBR, color: black, length: 53 mm, width: 39 mm, height: 17 mm



## Product description

Slotted cable sleeve Slotted sleeves for accommodating preassembled cables and lines with a diameter of 21 mm ... 22 mm, can be used in CES sealing frames.

## Commercial data

|                                      |               |
|--------------------------------------|---------------|
| Item number                          | 0801637       |
| Packing unit                         | 10 pc         |
| Minimum order quantity               | 1 pc          |
| Sales key                            | BF67          |
| Product key                          | AF7CCX        |
| GTIN                                 | 4046356674324 |
| Weight per piece (including packing) | 30.35 g       |
| Weight per piece (excluding packing) | 30.35 g       |
| Customs tariff number                | 40169997      |
| Country of origin                    | TW            |

# CES-LRG-BK-22 - Cable sleeve

0801637

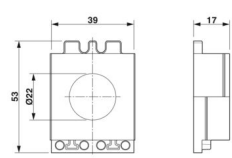
<https://www.phoenixcontact.com/us/products/0801637>

## Technical data

### Product properties

|                   |              |
|-------------------|--------------|
| Product type      | Cable sleeve |
| No. of conductors | 1            |

### Dimensions

|                     |  |
|---------------------|--|
| Dimensional drawing |  |
| Width               | 39 mm  |
| Height              | 17 mm  |
| Length              | 53 mm  |

### Material specifications

|          |     |
|----------|-----|
| Material | NBR |
|----------|-----|

### Cable/line

|                         |                    |
|-------------------------|--------------------|
| External cable diameter | 1x 21 mm ... 22 mm |
|-------------------------|--------------------|

### Characteristics

|                    |             |
|--------------------|-------------|
| Seal size          | large       |
| Design, Format     | Round cable |
| Design, Cable seal | slotted     |

### Environmental and real-life conditions

#### Ambient conditions

|                                 |                            |
|---------------------------------|----------------------------|
| Degree of protection            | IP54                       |
| Ambient temperature (operation) | -40 °C ... 125 °C (static) |

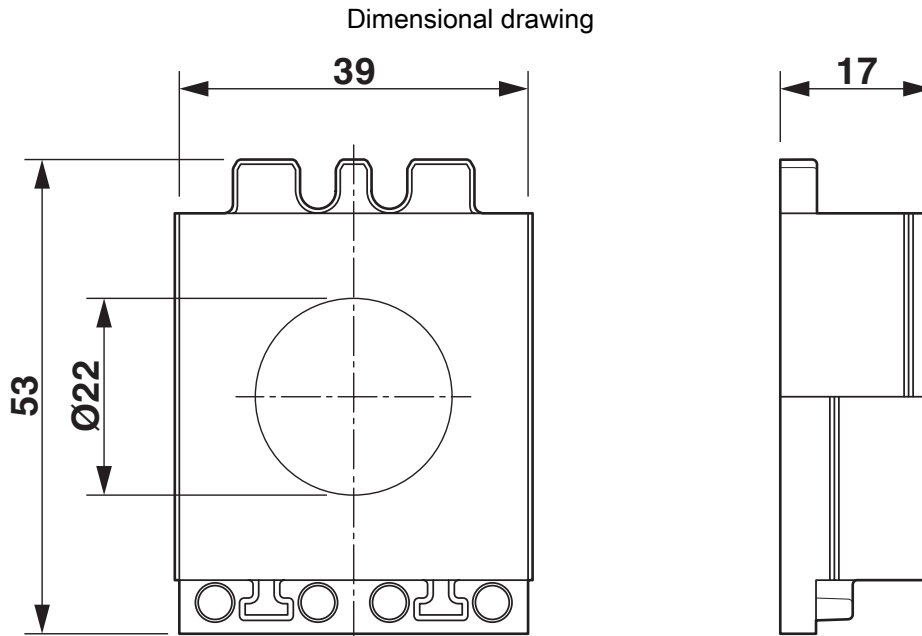
# CES-LRG-BK-22 - Cable sleeve

0801637

<https://www.phoenixcontact.com/us/products/0801637>



## Drawings



Dimensional drawing

# CES-LRG-BK-22 - Cable sleeve



0801637

<https://www.phoenixcontact.com/us/products/0801637>

## Approvals

🔗 To download certificates, visit the product detail page: <https://www.phoenixcontact.com/us/products/0801637>

**DNV**

Approval ID: TAE00003VJ

# CES-LRG-BK-22 - Cable sleeve



0801637

<https://www.phoenixcontact.com/us/products/0801637>

## Classifications

### ECLASS

|             |          |
|-------------|----------|
| ECLASS-13.0 | 27144425 |
| ECLASS-15.0 | 27144425 |

### ETIM

|           |          |
|-----------|----------|
| ETIM 10.0 | EC000451 |
|-----------|----------|

### UNSPSC

|             |          |
|-------------|----------|
| UNSPSC 21.0 | 39121400 |
|-------------|----------|

# CES-LRG-BK-22 - Cable sleeve



0801637

<https://www.phoenixcontact.com/us/products/0801637>

## Environmental product compliance

### EU RoHS

|   |                    |
|---|--------------------|
| Fulfills EU RoHS substance requirements | Yes, No exemptions |
|---|--------------------|

### China RoHS

|  |  |
|--|--|
| Environment friendly use period (EFUP) | EFUP-E                                   |
|  | No hazardous substances above the limits |

### EU REACH SVHC

|                                     |                            |
|-------------------------------------|----------------------------|
| REACH candidate substance (CAS No.) | No substance above 0.1 wt% |
|-------------------------------------|----------------------------|

Phoenix Contact 2026 © - all rights reserved

<https://www.phoenixcontact.com>

Phoenix Contact USA  
586 Fulling Mill Road  
Middletown, PA 17057, United States  
(+717) 944-1300  
[info@phoenixcon.com](mailto:info@phoenixcon.com)