

CES-SRG-BK-12 - Cable sleeve



0801617

<https://www.phoenixcontact.com/us/products/0801617>

Please be informed that the data shown in this PDF document is generated from our online catalog. Please find the complete data in the user documentation. Our general terms of use for downloads are valid.



Cable sleeve, small, no. of conductors: 1, type: Round cable, slotted, external cable diameter: 1x 11 mm ... 12 mm, material: NBR, color: black, length: 29.5 mm, width: 19.5 mm, height: 17 mm

Product description

Slotted cable sleeve

Commercial data

| | |
|--------------------------------------|---------------|
| Item number | 0801617 |
| Packing unit | 10 pc |
| Minimum order quantity | 1 pc |
| Sales key | BF67 |
| Product key | AF7CCX |
| GTIN | 4046356674713 |
| Weight per piece (including packing) | 7.115 g |
| Weight per piece (excluding packing) | 6.54 g |
| Customs tariff number | 40169997 |
| Country of origin | TW |

CES-SRG-BK-12 - Cable sleeve

0801617

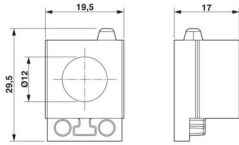
<https://www.phoenixcontact.com/us/products/0801617>

Technical data

Product properties

| | |
|-------------------|--------------|
| Product type | Cable sleeve |
| No. of conductors | 1 |

Dimensions

| | |
|---------------------|--|
| Dimensional drawing |  |
| Width | 19.5 mm |
| Height | 17 mm |
| Length | 29.5 mm |

Material specifications

| | |
|----------|-----|
| Material | NBR |
|----------|-----|

Cable/line

| | |
|-------------------------|--------------------|
| External cable diameter | 1x 11 mm ... 12 mm |
|-------------------------|--------------------|

Characteristics

| | |
|--------------------|-------------|
| Seal size | small |
| Design, Format | Round cable |
| Design, Cable seal | slotted |

Environmental and real-life conditions

Ambient conditions

| | |
|---------------------------------|----------------------------|
| Degree of protection | IP54 |
| Ambient temperature (operation) | -40 °C ... 125 °C (static) |

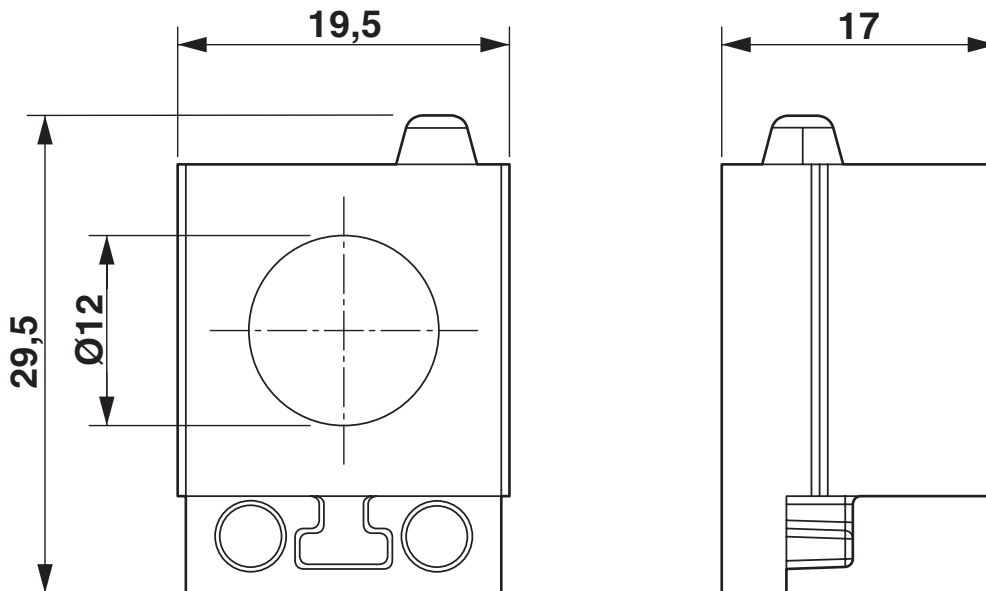
CES-SRG-BK-12 - Cable sleeve

0801617

<https://www.phoenixcontact.com/us/products/0801617>

Drawings

Dimensional drawing



Dimensional drawing

CES-SRG-BK-12 - Cable sleeve



0801617

<https://www.phoenixcontact.com/us/products/0801617>

Approvals

🔗 To download certificates, visit the product detail page: <https://www.phoenixcontact.com/us/products/0801617>

DNV

Approval ID: TAE00003VJ

CES-SRG-BK-12 - Cable sleeve



0801617

<https://www.phoenixcontact.com/us/products/0801617>

Classifications

ECLASS

| | |
|-------------|----------|
| ECLASS-13.0 | 27144425 |
| ECLASS-15.0 | 27144425 |

ETIM

| | |
|-----------|----------|
| ETIM 10.0 | EC000451 |
|-----------|----------|

UNSPSC

| | |
|-------------|----------|
| UNSPSC 21.0 | 39121400 |
|-------------|----------|

CES-SRG-BK-12 - Cable sleeve



0801617

<https://www.phoenixcontact.com/us/products/0801617>

Environmental product compliance

EU RoHS

| | |
|---|--------------------|
| Fulfills EU RoHS substance requirements | Yes, No exemptions |
|---|--------------------|

China RoHS

| | |
|--|--|
| Environment friendly use period (EFUP) | EFUP-E |
| | No hazardous substances above the limits |

EU REACH SVHC

| | |
|-------------------------------------|----------------------------|
| REACH candidate substance (CAS No.) | No substance above 0.1 wt% |
|-------------------------------------|----------------------------|

EF3.1 Climate Change

| | |
|---------|---------------|
| CO2e kg | 0.459 kg CO2e |
|---------|---------------|

Phoenix Contact 2026 © - all rights reserved
<https://www.phoenixcontact.com>

Phoenix Contact USA
586 Fulling Mill Road
Middletown, PA 17057, United States
(+717) 944-1300
info@phoenixcon.com