

DFK-2,8/FSI(2-2,8-0,8) - Panel feed-through terminal block



0750017

<https://www.phoenixcontact.com/us/products/0750017>

Please be informed that the data shown in this PDF document is generated from our online catalog. Please find the complete data in the user documentation. Our general terms of use for downloads are valid.

Panel feed-through terminal block, number of positions: 1, width: 6.1 mm



Commercial data

Item number	0750017
Packing unit	50 pc
Minimum order quantity	50 pc
Note	Made to order (non-returnable)
Sales key	AA28
Product key	AA1ABC
GTIN	4017918005436
Weight per piece (including packing)	6.57 g
Weight per piece (excluding packing)	6.57 g
Customs tariff number	85369010
Country of origin	BG

DFK-2,8/FSI(2-2,8-0,8) - Panel feed-through terminal block



0750017

<https://www.phoenixcontact.com/us/products/0750017>

Technical data

Product properties

Product type	Panel feed-through terminal block
Product family	DFK 4
Number of positions	1
Pitch	6 mm
Number of connections	2
Number of rows	1

Insulation characteristics

Overvoltage category	III
Degree of pollution	3

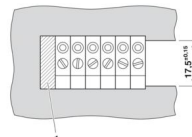
Electrical properties

Rated surge voltage	4 kV
---------------------	------

Material specifications

Color	gray
Flammability rating according to UL 94	V2
Insulating material group	I
Insulating material	PA
Contact surface	Tin Sn

Dimensions

Dimensional drawing	
Width	6.1 mm
Pitch	6 mm

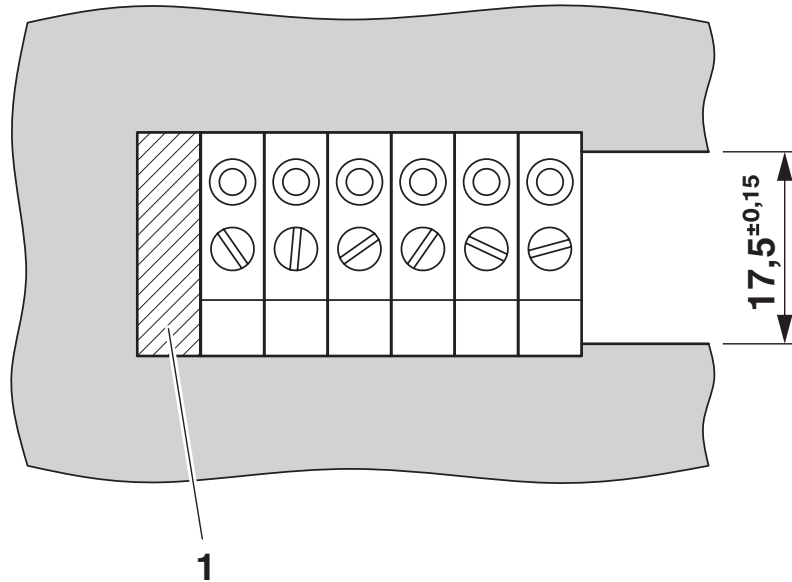
DFK-2,8/FSI(2-2,8-0,8) - Panel feed-through terminal block

0750017

<https://www.phoenixcontact.com/us/products/0750017>

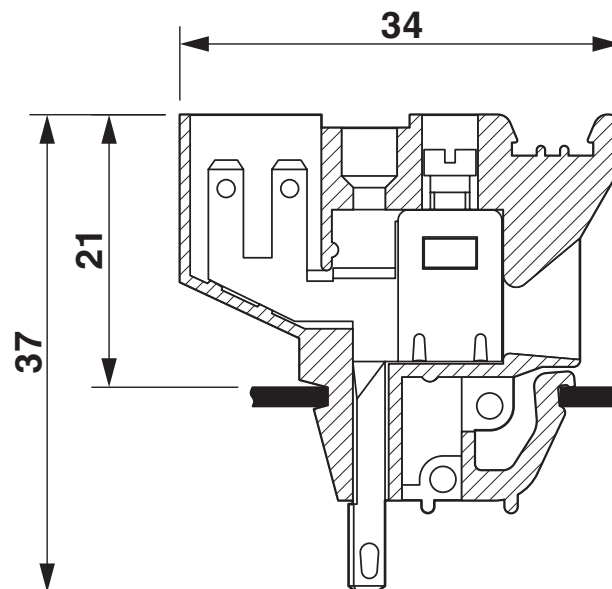
Drawings

Dimensional drawing



1 = blind cover

Dimensional drawing

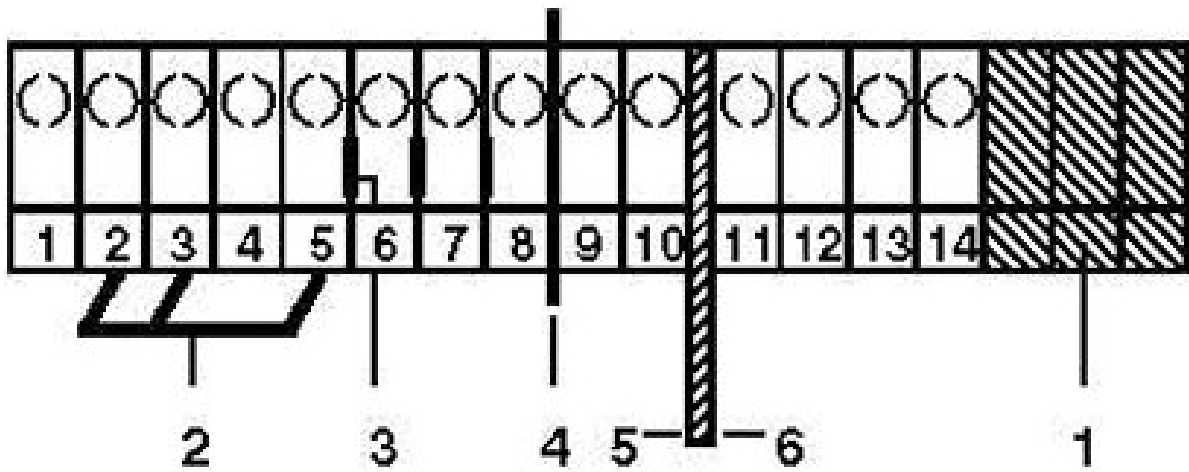


DFK-2,8/FSI(2-2,8-0,8) - Panel feed-through terminal block

0750017

<https://www.phoenixcontact.com/us/products/0750017>

Circuit diagram



- 1 = blind cover
- 2 = insertion bridge
- 3 = separating plate
- 4 = partition plates
- 5 = separating plate
- 6 = separating plate, long version

DFK-2,8/FSI(2-2,8-0,8) - Panel feed-through terminal block



0750017

<https://www.phoenixcontact.com/us/products/0750017>

Classifications

ECLASS

ECLASS-13.0	27141134
ECLASS-15.0	27141134

UNSPSC

UNSPSC 21.0	39121400
-------------	----------

DFK-2,8/FSI(2-2,8-0,8) - Panel feed-through terminal block



0750017

<https://www.phoenixcontact.com/us/products/0750017>

Environmental product compliance

EU RoHS

Fulfills EU RoHS substance requirements	Yes, No exemptions
---	--------------------

China RoHS

Environment friendly use period (EFUP)	EFUP-E
	No hazardous substances above the limits

EU REACH SVHC

REACH candidate substance (CAS No.)	No substance above 0.1 wt%
-------------------------------------	----------------------------

Phoenix Contact 2026 © - all rights reserved
<https://www.phoenixcontact.com>

Phoenix Contact USA
586 Fulling Mill Road
Middletown, PA 17057, United States
(+717) 944-1300
info@phoenixcon.com