

# TCP 6A - Thermal device circuit breaker



0712275

<https://www.phoenixcontact.com/us/products/0712275>

Please be informed that the data shown in this PDF document is generated from our online catalog. Please find the complete data in the user documentation. Our general terms of use for downloads are valid.



1-channel thermal device circuit breaker for protecting loads at 250 V AC / 72 V DC in the event of an overload. For installation on fuse terminal blocks and interfaces for flat plug-in fuse of type C according to standard ISO 8820-3. With fixed nominal current: 6 A

## Your advantages

- Fast, replacement part-free recommissioning after an event with the reconnection options
- Easy to retrofit in existing systems with vehicle flat-type fuses with identical pin connector pattern
- System disconnection for maintenance actions via the integrated device switch



## Commercial data

Item number	0712275
Packing unit	1 pc
Minimum order quantity	1 pc
Sales key	CL15
Product key	CLA111
GTIN	4017918848392
Weight per piece (including packing)	10.664 g
Weight per piece (excluding packing)	9.6 g
Customs tariff number	85362010
Country of origin	ID

# TCP 6A - Thermal device circuit breaker



0712275

<https://www.phoenixcontact.com/us/products/0712275>

## Technical data

### Product properties

Product type	Thermal device circuit breakers
Type	Male
Number of positions	1
No. of channels	1

### Insulation characteristics

Overvoltage category	II
Degree of pollution	2

### Electrical properties

Fuse type	Automatic device
Maximum power dissipation for nominal condition	$\leq 0.9$ VA
Fuse	Slow-blow

### General

Rated voltage	250 V AC
	65 V DC
	250 V AC (AC according to UL 1077)
	72 V DC (DC according to UL 1077)
Rated current $I_N$	6 A
Rated surge voltage	2.5 kV
Insulation resistance $R_{iso}$	$> 100$ M $\Omega$ (500 V DC)
Tripping method	T (thermal)
Device resistance	0.05 $\Omega$
Rated short-circuit switching capacity $I_{cn}$	48 A (250 V AC / 65 V DC)
	60 A (30 V DC)
Short-circuit switching capacity	2000 A (250 V AC / UL 1077)
	2000 A (72 V DC / UL 1077)
Dielectric strength	3000 V AC (Actuation area)
	1500 V AC (Installation area)
Switching cycles, max.	6000 (At $1 \times I_n$ , low-induction)
	3000 (At $1 \times I_n$ , inductive)
	500 (At $2 \times I_n$ , inductive)
Contact switching type	Type C in accordance with ISO 8820-3

### Connection data

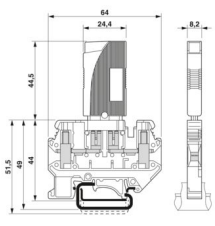
Nominal current	6 A
Nominal voltage	250 V AC
	65 V DC
Connection method	pluggable

# TCP 6A - Thermal device circuit breaker

0712275

<https://www.phoenixcontact.com/us/products/0712275>

## Dimensions

Dimensional drawing	
Width	8.2 mm
Height	24.4 mm
Height NS 35/7,5	55 mm
Depth	44.5 mm

## Material specifications

Color	black (RAL 9005)
Flammability rating according to UL 94	V-0
Insulating material group	IIIb
Insulating material	PPS

## Mechanical properties

### Mechanical data

Open side panel	No
-----------------	----

## Environmental and real-life conditions

### Ambient conditions

Degree of protection	IP40 (Actuation area)
Ambient temperature (operation)	-20 °C ... 60 °C
Altitude	≤ 4000 m (amsl)
Humidity test	240 h, 95 % RH, 40 °C

## Standards and regulations

Standards/specifications	EN 60934
--------------------------	----------

## Mounting

Mounting type	on base element
---------------	-----------------

# TCP 6A - Thermal device circuit breaker

0712275

<https://www.phoenixcontact.com/us/products/0712275>



## Drawings

Dimensional drawing



# TCP 6A - Thermal device circuit breaker

0712275

<https://www.phoenixcontact.com/us/products/0712275>



Dimensional drawing



# TCP 6A - Thermal device circuit breaker

0712275

<https://www.phoenixcontact.com/us/products/0712275>



Product drawing



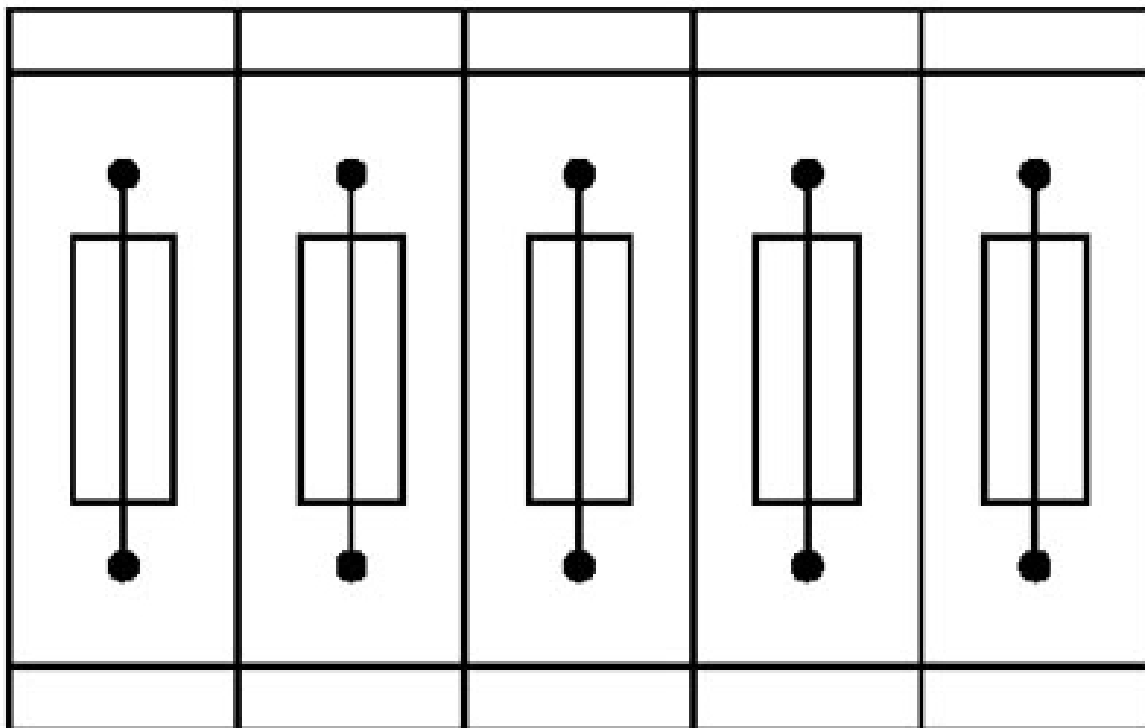
The figure shows the product with the base element PT 6-FSI/C-LED 24 (Item No.: 3212172).

# TCP 6A - Thermal device circuit breaker

0712275

<https://www.phoenixcontact.com/us/products/0712275>

Application drawing



Fuse terminal blocks in interconnected arrangement,  
block consisting of 5 fuse terminal blocks

# TCP 6A - Thermal device circuit breaker

0712275

<https://www.phoenixcontact.com/us/products/0712275>

Application drawing



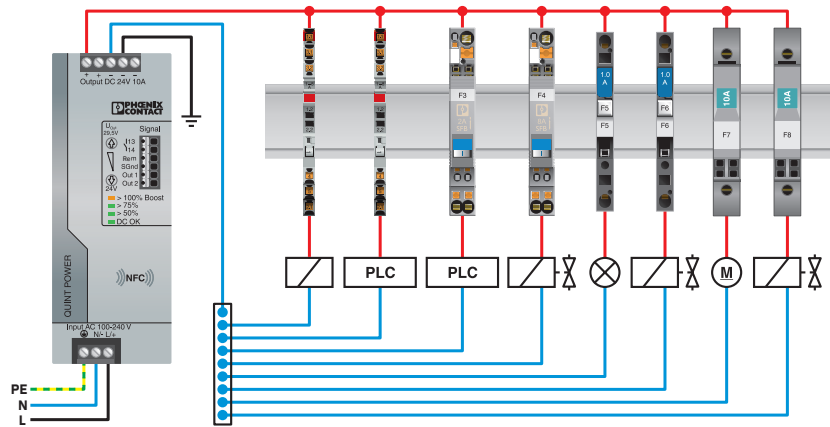
Fuse terminal block in single arrangement,  
block consisting of one fuse terminal block and 4 feed-through terminal blocks

# TCP 6A - Thermal device circuit breaker

0712275

<https://www.phoenixcontact.com/us/products/0712275>

Application drawing



Application drawing



Diagram



Trigger characteristic

# TCP 6A - Thermal device circuit breaker




0712275

<https://www.phoenixcontact.com/us/products/0712275>

## Approvals

To download certificates, visit the product detail page: <https://www.phoenixcontact.com/us/products/0712275>

 <b>CSA</b> Approval ID: 074317				
	Nominal voltage $U_N$	Nominal current $I_N$	Cross section AWG	Cross section $mm^2$
keine				
	250 V	6 A	-	-

 <b>cUL Recognized</b> Approval ID: FILE E 140459				
---	--	--	--	--

 <b>UL Recognized</b> Approval ID: FILE E 140459				
--	--	--	--	--

 <b>VDE Zeichengenehmigung</b> Approval ID: 40034332				
--	--	--	--	--

 <b>CCC</b> Approval ID: 2025010307749780				
---	--	--	--	--

<b>UAE-RoHS</b> Approval ID: 23-10-88896				
---	--	--	--	--

# TCP 6A - Thermal device circuit breaker



0712275

<https://www.phoenixcontact.com/us/products/0712275>

## Classifications

### ECLASS

ECLASS-13.0	27140401
ECLASS-15.0	27140401

### ETIM

ETIM 10.0	EC003538
-----------	----------

### UNSPSC

UNSPSC 21.0	39121400
-------------	----------

# TCP 6A - Thermal device circuit breaker



0712275

<https://www.phoenixcontact.com/us/products/0712275>

## Environmental product compliance

### EU RoHS

Fulfills EU RoHS substance requirements	Yes, No exemptions
---	--------------------

### China RoHS

Environment friendly use period (EFUP)	EFUP-E
	No hazardous substances above the limits

### EU REACH SVHC

REACH candidate substance (CAS No.)	No substance above 0.1 wt%
-------------------------------------	----------------------------

### EF3.1 Climate Change

CO2e kg	1.342 kg CO2e
---------	---------------

Phoenix Contact 2026 © - all rights reserved  
<https://www.phoenixcontact.com>

Phoenix Contact USA  
586 Fulling Mill Road  
Middletown, PA 17057, United States  
(+717) 944-1300  
[info@phoenixcon.com](mailto:info@phoenixcon.com)