

TCP 1A - Thermal device circuit breaker

0712194

<https://www.phoenixcontact.com/us/products/0712194>

Please be informed that the data shown in this PDF document is generated from our online catalog. Please find the complete data in the user documentation. Our general terms of use for downloads are valid.



1-channel thermal device circuit breaker for protecting loads at 250 V AC / 72 V DC in the event of an overload. For installation on fuse terminal blocks and interfaces for flat plug-in fuse of type C according to standard ISO 8820-3. With fixed nominal current: 1 A

Your advantages

- Fast, replacement part-free recommissioning after an event with the reconnection options
- Easy to retrofit in existing systems with vehicle flat-type fuses with identical pin connector pattern
- System disconnection for maintenance actions via the integrated device switch



Commercial data

| | |
|--------------------------------------|---------------|
| Item number | 0712194 |
| Packing unit | 1 pc |
| Minimum order quantity | 1 pc |
| Sales key | CL15 |
| Product key | CLA111 |
| GTIN | 4017918848354 |
| Weight per piece (including packing) | 11.2 g |
| Weight per piece (excluding packing) | 10.089 g |
| Customs tariff number | 85362010 |
| Country of origin | ID |

TCP 1A - Thermal device circuit breaker



0712194

<https://www.phoenixcontact.com/us/products/0712194>

Technical data

Product properties

| | |
|---------------------|---------------------------------|
| Product type | Thermal device circuit breakers |
| Type | Male |
| Number of positions | 1 |
| No. of channels | 1 |

Insulation characteristics

| | |
|----------------------|----|
| Overvoltage category | II |
| Degree of pollution | 2 |

Electrical properties

| | |
|-----------|------------------|
| Fuse type | Automatic device |
| Fuse | Slow-blow |

General

| | |
|-------------------------------------------------|--------------------------------------|
| Rated voltage | 250 V AC |
| | 65 V DC |
| | 250 V AC (AC according to UL 1077) |
| | 72 V DC (DC according to UL 1077) |
| Rated current I_N | 1 A |
| Rated surge voltage | 2.5 kV |
| Insulation resistance R_{iso} | > 100 M Ω (500 V DC) |
| Tripping method | T (thermal) |
| Device resistance | 0.9 Ω |
| Rated short-circuit switching capacity I_{cn} | 6 A (250 V AC / 65 V DC) |
| | 10 A (30 V DC) |
| Short-circuit switching capacity | 2000 A (250 V AC / UL 1077) |
| | 2000 A (72 V DC / UL 1077) |
| Dielectric strength | 3000 V AC (Actuation area) |
| | 1500 V AC (Installation area) |
| Switching cycles, max. | 6000 (At 1 x I_n , low-induction) |
| | 3000 (At 1 x I_n , inductive) |
| | 500 (At 2 x I_n , inductive) |
| Contact switching type | Type C in accordance with ISO 8820-3 |

Connection data

| | |
|-------------------|-----------|
| Nominal current | 1 A |
| Nominal voltage | 250 V AC |
| | 65 V DC |
| Connection method | pluggable |

Dimensions

TCP 1A - Thermal device circuit breaker

0712194

<https://www.phoenixcontact.com/us/products/0712194>

| | |
|---------------------|------------------------------------------------------------------------------------|
| Dimensional drawing |  |
| Width | 8.2 mm |
| Height | 24.4 mm |
| Height NS 35/7,5 | 55 mm |
| Depth | 44.5 mm |

Material specifications

| | |
|----------------------------------------|------------------|
| Color | black (RAL 9005) |
| Flammability rating according to UL 94 | V-0 |
| Insulating material group | IIIb |
| Insulating material | PPS |

Mechanical properties

Mechanical data

| | |
|-----------------|----|
| Open side panel | No |
|-----------------|----|

Environmental and real-life conditions

Ambient conditions

| | |
|---------------------------------|-----------------------|
| Degree of protection | IP40 (Actuation area) |
| Ambient temperature (operation) | -20 °C ... 60 °C |
| Altitude | 4000 m |
| Humidity test | 240 h, 95 % RH, 40 °C |

Standards and regulations

| | |
|--------------------------|----------|
| Standards/specifications | EN 60934 |
|--------------------------|----------|

Mounting

| | |
|---------------|-----------------|
| Mounting type | on base element |
|---------------|-----------------|

TCP 1A - Thermal device circuit breaker

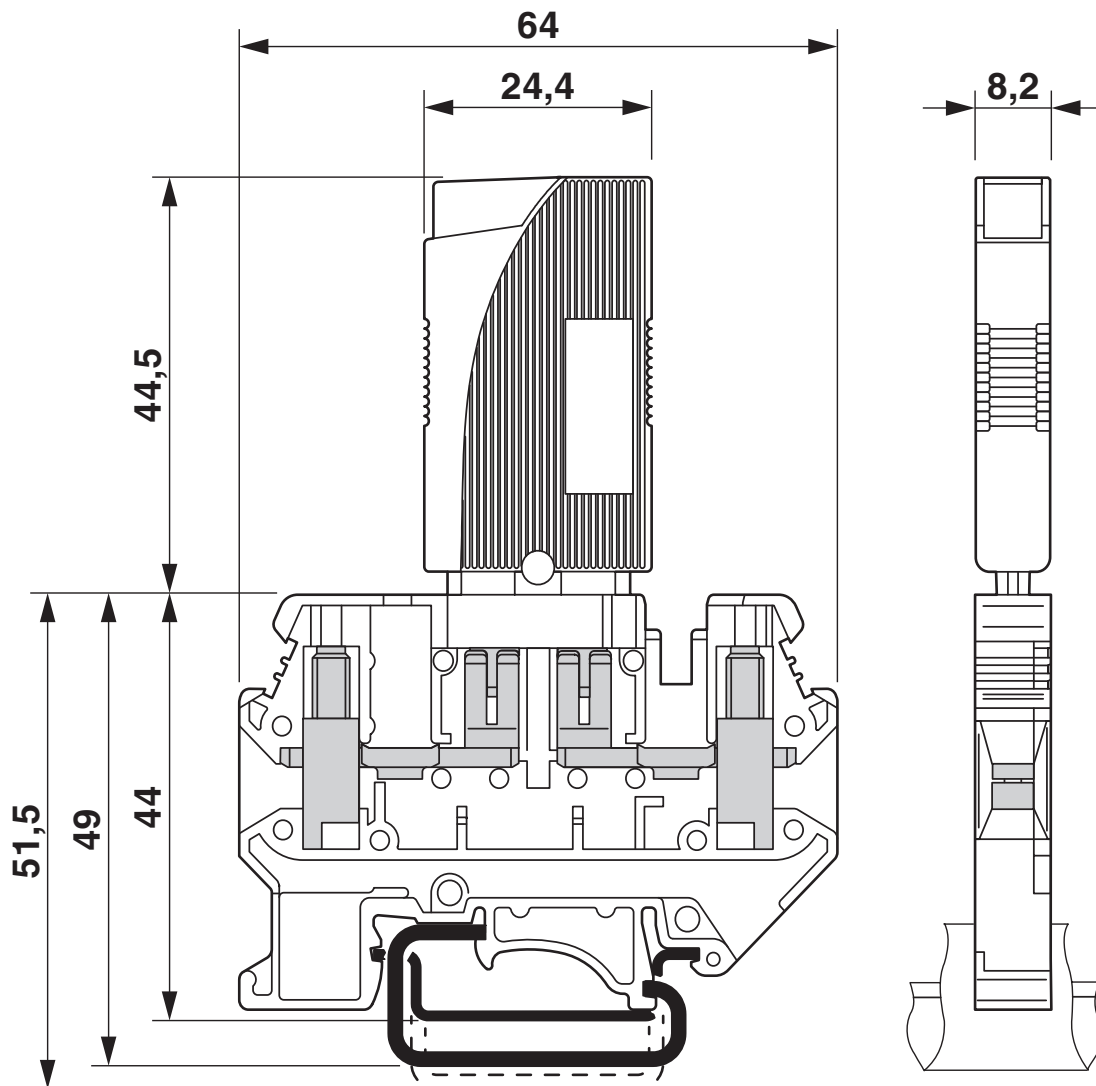
0712194

<https://www.phoenixcontact.com/us/products/0712194>



Drawings

Dimensional drawing



TCP 1A - Thermal device circuit breaker

0712194

<https://www.phoenixcontact.com/us/products/0712194>



Dimensional drawing



TCP 1A - Thermal device circuit breaker

0712194

<https://www.phoenixcontact.com/us/products/0712194>

Product drawing



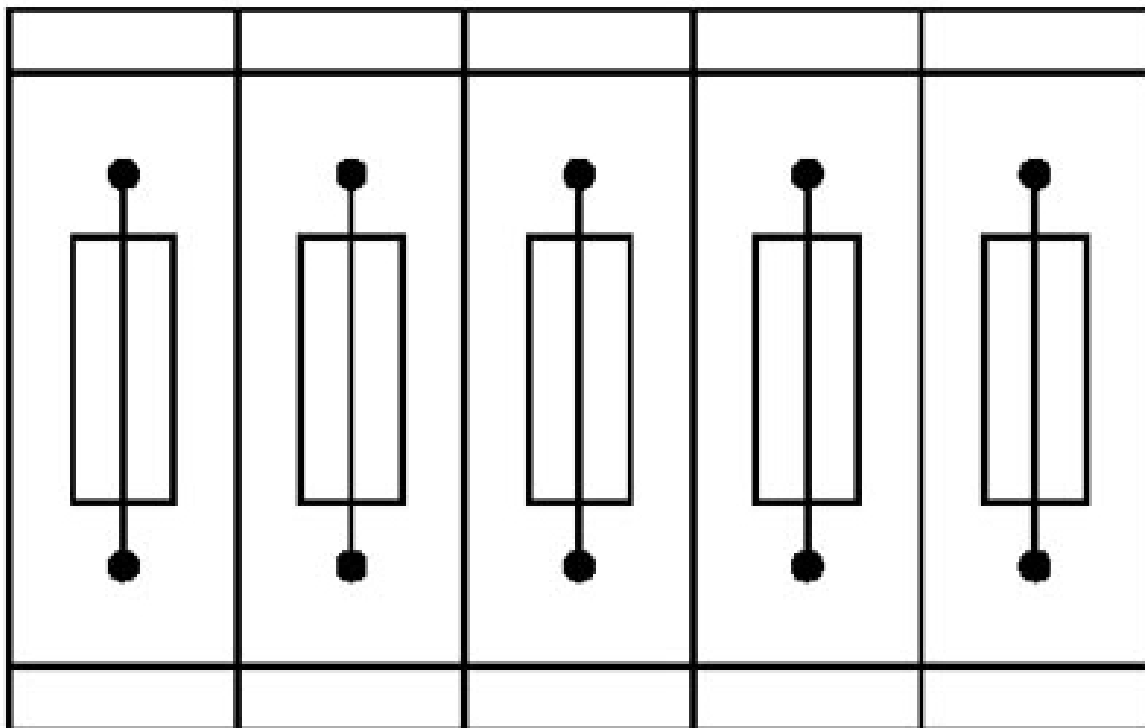
The figure shows the product with the base element PT 6-FSI/C-LED 24 (Item No.: 3212172).

TCP 1A - Thermal device circuit breaker

0712194

<https://www.phoenixcontact.com/us/products/0712194>

Application drawing



Fuse terminal blocks in interconnected arrangement,
block consisting of 5 fuse terminal blocks

TCP 1A - Thermal device circuit breaker

0712194

<https://www.phoenixcontact.com/us/products/0712194>

Application drawing



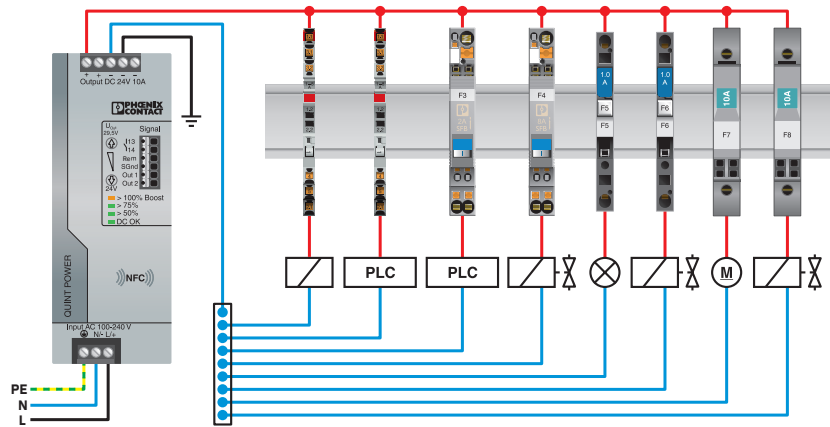
Fuse terminal block in single arrangement,
block consisting of one fuse terminal block and 4 feed-through terminal blocks

TCP 1A - Thermal device circuit breaker

0712194

<https://www.phoenixcontact.com/us/products/0712194>

Application drawing



Application drawing



Diagram



Trigger characteristic

TCP 1A - Thermal device circuit breaker




0712194

<https://www.phoenixcontact.com/us/products/0712194>

Approvals

To download certificates, visit the product detail page: <https://www.phoenixcontact.com/us/products/0712194>

|  CSA Approval ID: 074317 | | | | |
|---------------------------------------------------------------------------------------------------------------------|-----------------------|-----------------------|-------------------|-----------------------------|
| | Nominal voltage U_N | Nominal current I_N | Cross section AWG | Cross section mm^2 |
| keine | | | | |
| | 250 V | 1 A | - | - |

|  cUL Recognized Approval ID: FILE E 140459 | | | | |
|---------------------------------------------------------------------------------------------------------------------------------------|--|--|--|--|
|---------------------------------------------------------------------------------------------------------------------------------------|--|--|--|--|

|  UL Recognized Approval ID: FILE E 140459 | | | | |
|--------------------------------------------------------------------------------------------------------------------------------------|--|--|--|--|
|--------------------------------------------------------------------------------------------------------------------------------------|--|--|--|--|

|  VDE Zeichengenehmigung Approval ID: 40034332 | | | | |
|--------------------------------------------------------------------------------------------------------------------------------------------|--|--|--|--|
|--------------------------------------------------------------------------------------------------------------------------------------------|--|--|--|--|

|  CCC Approval ID: 2025010307749780 | | | | |
|---------------------------------------------------------------------------------------------------------------------------------|--|--|--|--|
|---------------------------------------------------------------------------------------------------------------------------------|--|--|--|--|

| UAE-RoHS Approval ID: 23-10-88896 | | | | |
|---------------------------------------------|--|--|--|--|
|---------------------------------------------|--|--|--|--|

TCP 1A - Thermal device circuit breaker



0712194

<https://www.phoenixcontact.com/us/products/0712194>

Classifications

ECLASS

| | |
|-------------|----------|
| ECLASS-13.0 | 27140401 |
| ECLASS-15.0 | 27140401 |

ETIM

| | |
|-----------|----------|
| ETIM 10.0 | EC003538 |
|-----------|----------|

UNSPSC

| | |
|-------------|----------|
| UNSPSC 21.0 | 39121400 |
|-------------|----------|

TCP 1A - Thermal device circuit breaker



0712194

<https://www.phoenixcontact.com/us/products/0712194>

Environmental product compliance

EU RoHS

| | |
|-----------------------------------------|--------------------|
| Fulfills EU RoHS substance requirements | Yes, No exemptions |
|-----------------------------------------|--------------------|

China RoHS

| | |
|----------------------------------------|------------------------------------------|
| Environment friendly use period (EFUP) | EFUP-E |
| | No hazardous substances above the limits |

EU REACH SVHC

| | |
|-------------------------------------|----------------------------|
| REACH candidate substance (CAS No.) | No substance above 0.1 wt% |
|-------------------------------------|----------------------------|

EF3.1 Climate Change

| | |
|---------|---------------|
| CO2e kg | 1.342 kg CO2e |
|---------|---------------|

Phoenix Contact 2026 © - all rights reserved
<https://www.phoenixcontact.com>

Phoenix Contact USA
586 Fulling Mill Road
Middletown, PA 17057, United States
(+717) 944-1300
info@phoenixcon.com