

# AK 4 MIT SIX LOBE SCHRAUBE - Connection terminal block



0711409

<https://www.phoenixcontact.com/us/products/0711409>

Please be informed that the data shown in this PDF document is generated from our online catalog. Please find the complete data in the user documentation. Our general terms of use for downloads are valid.



Connection terminal block, nominal current: 32 A, connection method: Screw connection, Rated cross section: 4 mm<sup>2</sup>, cross section: 0.5 mm<sup>2</sup> - 6 mm<sup>2</sup>, mounting: Neutral busbar, color: silver

## Commercial data

|                                      |               |
|--------------------------------------|---------------|
| Item number                          | 0711409       |
| Packing unit                         | 50 pc         |
| Minimum order quantity               | 50 pc         |
| Sales key                            | BE73          |
| Product key                          | BE7331        |
| GTIN                                 | 4017918320621 |
| Weight per piece (including packing) | 5.068 g       |
| Weight per piece (excluding packing) | 4.908 g       |
| Customs tariff number                | 85369010      |
| Country of origin                    | IN            |

# AK 4 MIT SIX LOBE SCHRAUBE - Connection terminal block



0711409

<https://www.phoenixcontact.com/us/products/0711409>

## Technical data

### Product properties

|                       |                   |
|-----------------------|-------------------|
| Product type          | Pick-off terminal |
| Number of connections | 1                 |
| Number of rows        | 1                 |

### Electrical properties

|   |   |
|---|---|
| Maximum load current                            | 41 A (with 6 mm <sup>2</sup> conductor cross-section) |
| Maximum power dissipation for nominal condition | 1.02 W  |
| Nominal current I <sub>N</sub>                  | 32 A  |
| Current carrying capacity of the neutral busbar | 140 A   |

### Connection data

|                       |   |
|-----------------------|---|
| Nominal cross section | 4 mm <sup>2</sup>                                     |
| Maximum load current  | 41 A (with 6 mm <sup>2</sup> conductor cross-section) |

#### Level 1 above 1 below 1

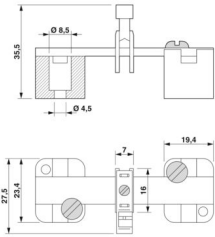
|   |   |
|---|---|
| Connection method   | Screw connection                                      |
| Screw thread  | M4  |
| Tightening torque   | 1.5 ... 1.8 Nm  |
| Stripping length  | 16 mm   |
| Conductor cross-section rigid   | 0.5 mm <sup>2</sup> ... 6 mm <sup>2</sup>             |
| Cross section AWG   | 20 ... 10 (converted acc. to IEC)                     |
| Conductor cross-section flexible  | 0.5 mm <sup>2</sup> ... 4 mm <sup>2</sup>             |
| Conductor cross-section, flexible [AWG]   | 20 ... 12 (converted acc. to IEC)                     |
| Conductor cross-section flexible (ferrule without plastic sleeve)                         | 0.5 mm <sup>2</sup> ... 6 mm <sup>2</sup>             |
| Flexible conductor cross-section (ferrule with plastic sleeve)                            | 0.5 mm <sup>2</sup> ... 6 mm <sup>2</sup>             |
| 2 conductors with same cross section, rigid   | 0.5 mm <sup>2</sup> ... 2.5 mm <sup>2</sup>           |
| 2 conductors with same cross section, flexible  | 0.5 mm <sup>2</sup> ... 2.5 mm <sup>2</sup>           |
| 2 conductors with same cross section, flexible, with ferrule without plastic sleeve       | 0.5 mm <sup>2</sup> ... 2.5 mm <sup>2</sup>           |
| 2 conductors with the same cross section, flexible, with TWIN ferrule with plastic sleeve | 0.5 mm <sup>2</sup> ... 2.5 mm <sup>2</sup>           |
| Nominal cross section   | 4 mm <sup>2</sup>                                     |
| Nominal current   | 32 A  |
| Maximum load current  | 41 A (with 6 mm <sup>2</sup> conductor cross-section) |

### Dimensions

# AK 4 MIT SIX LOBE SCHRAUBE - Connection terminal block

0711409

<https://www.phoenixcontact.com/us/products/0711409>

|                     |  |
|---------------------|--|
| Dimensional drawing |  |
| Width               | 7 mm   |
| Height              | 23.5 mm  |
| Depth               | 26 mm  |
| Length              | 23.5 mm  |

## Material specifications

|  |                |
|--|----------------|
| Color                                  | silver-colored |
| Flammability rating according to UL 94 | V2             |

## Mounting

|               |                |
|---------------|----------------|
| Mounting type | Neutral busbar |
|---------------|----------------|

# AK 4 MIT SIX LOBE SCHRAUBE - Connection terminal block

0711409

<https://www.phoenixcontact.com/us/products/0711409>

## Drawings

Dimensional drawing

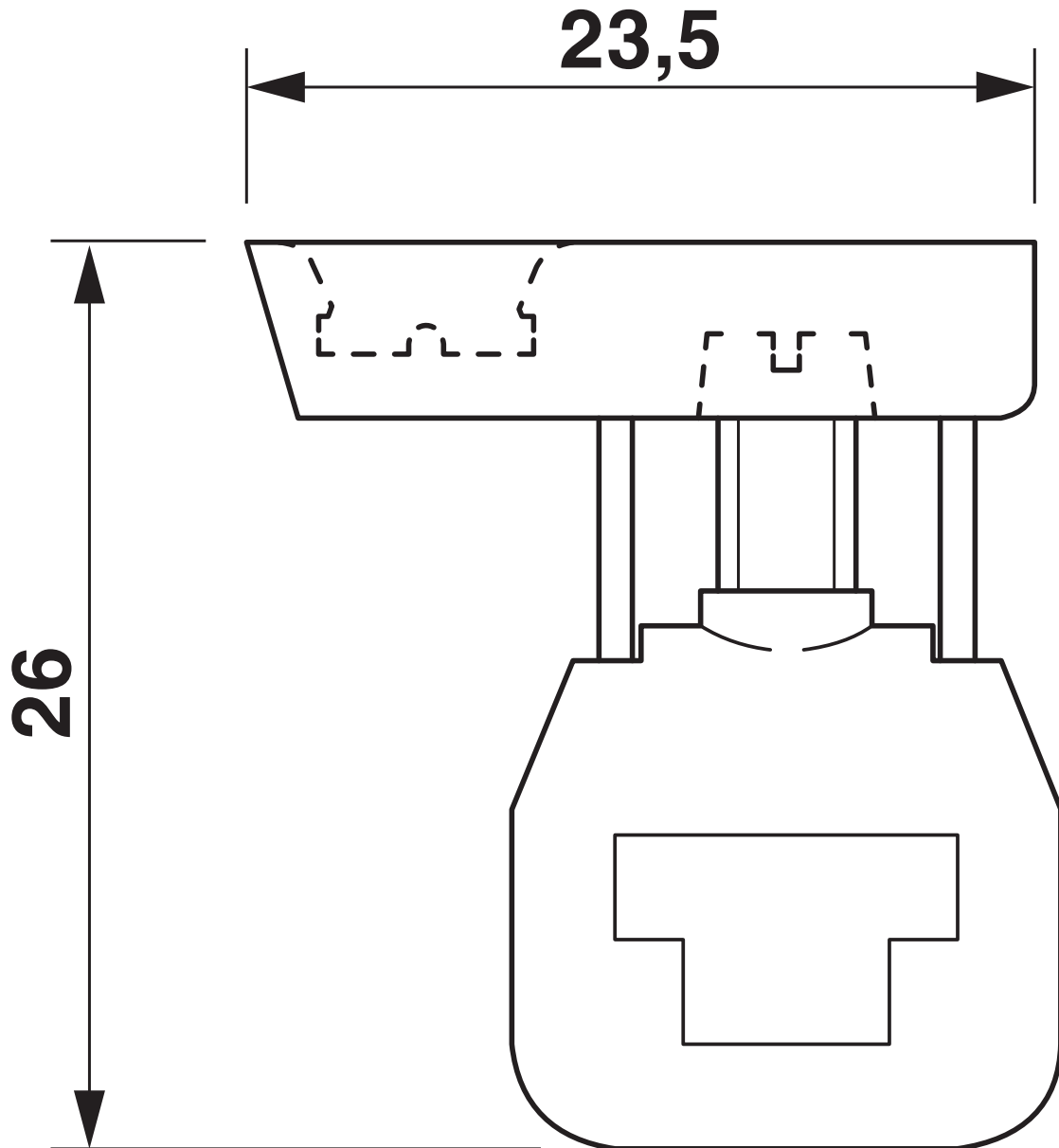


# AK 4 MIT SIX LOBE SCHRAUBE - Connection terminal block

0711409

<https://www.phoenixcontact.com/us/products/0711409>

Dimensional drawing



# AK 4 MIT SIX LOBE SCHRAUBE - Connection terminal block



0711409

<https://www.phoenixcontact.com/us/products/0711409>

## Approvals

To download certificates, visit the product detail page: <https://www.phoenixcontact.com/us/products/0711409>



**EAC**

Approval ID: KZ7500651131219505

# AK 4 MIT SIX LOBE SCHRAUBE - Connection terminal block



0711409

<https://www.phoenixcontact.com/us/products/0711409>

## Classifications

### ECLASS

|             |          |
|-------------|----------|
| ECLASS-13.0 | 27250116 |
| ECLASS-15.0 | 27250116 |

### ETIM

|           |          |
|-----------|----------|
| ETIM 10.0 | EC000001 |
|-----------|----------|

### UNSPSC

|             |          |
|-------------|----------|
| UNSPSC 21.0 | 31162900 |
|-------------|----------|

# AK 4 MIT SIX LOBE SCHRAUBE - Connection terminal block



0711409

<https://www.phoenixcontact.com/us/products/0711409>

## Environmental product compliance

### EU RoHS

|   |                    |
|---|--------------------|
| Fulfills EU RoHS substance requirements | Yes, No exemptions |
|---|--------------------|

### China RoHS

|  |  |
|--|--|
| Environment friendly use period (EFUP) | EFUP-E                                   |
|  | No hazardous substances above the limits |

### EU REACH SVHC

|                                     |                            |
|-------------------------------------|----------------------------|
| REACH candidate substance (CAS No.) | No substance above 0.1 wt% |
|-------------------------------------|----------------------------|

Phoenix Contact 2026 © - all rights reserved  
<https://www.phoenixcontact.com>

Phoenix Contact USA  
586 Fulling Mill Road  
Middletown, PA 17057, United States  
(+717) 944-1300  
[info@phoenixcon.com](mailto:info@phoenixcon.com)