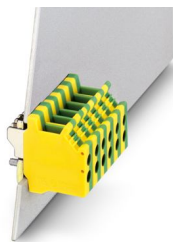


# DFK 4-PE - PE panel panel feed-through terminal block

0708315

<https://www.phoenixcontact.com/us/products/0708315>

Please be informed that the data shown in this PDF document is generated from our online catalog. Please find the complete data in the user documentation. Our general terms of use for downloads are valid.



Panel feed-through terminal block, connection method: Screw connection with tension sleeve, number of positions: 1, load current: 18 A, cross section: 0.2 mm<sup>2</sup> - 6 mm<sup>2</sup>, connection direction of the conductor to plug-in direction: 90 °, width: 6.1 mm, color: green-yellow

The figure shows a 6-position version

## Your advantages

- Well-known connection principle allows worldwide use
- Low temperature rise, thanks to maximum contact force
- Allows connection of two conductors
- PE terminal block with grounding function based on IEC 60947-7-2

## Commercial data

Item number	0708315
Packing unit	50 pc
Minimum order quantity	50 pc
Sales key	AA28
Product key	AA1ABD
GTIN	4017918004590
Weight per piece (including packing)	7.828 g
Weight per piece (excluding packing)	7.931 g
Customs tariff number	85369010
Country of origin	BG

# DFK 4-PE - PE panel panel feed-through terminal block



0708315

<https://www.phoenixcontact.com/us/products/0708315>

## Technical data

### Product properties

Product type	Panel feed-through terminal block
Product family	DFK 4-PE
Number of positions	1
Pitch	6 mm
Number of connections	2
Number of rows	1
Number of potentials	1

### Insulation characteristics

Overvoltage category	III
Degree of pollution	3

### Electrical properties

#### Properties

Nominal current $I_N$	17.5 A
Nominal voltage $U_N$	400 V
Rated voltage (III/3)	400 V
Rated surge voltage (III/3)	4 kV

### Connection data

#### Connection technology

Nominal cross section	4 mm <sup>2</sup>
-----------------------	-------------------

#### Conductor connection exterior

Connection method	Screw connection with tension sleeve
Connection direction of the conductor to plug-in direction	90 °
Conductor cross-section rigid	0.2 mm <sup>2</sup> ... 6 mm <sup>2</sup>
Conductor cross-section flexible	0.2 mm <sup>2</sup> ... 4 mm <sup>2</sup>
Conductor cross-section, flexible, with ferrule, without plastic sleeve	0.25 mm <sup>2</sup> ... 4 mm <sup>2</sup>
Conductor cross-section, flexible, with ferrule, with plastic sleeve	0.25 mm <sup>2</sup> ... 2.5 mm <sup>2</sup>
2 conductors with same cross section, rigid	0.2 mm <sup>2</sup> ... 1.5 mm <sup>2</sup>
2 conductors with same cross section, flexible	0.2 mm <sup>2</sup> ... 1.5 mm <sup>2</sup>
2 conductors with same cross section, flexible, with ferrule without plastic sleeve	0.25 mm <sup>2</sup> ... 1.5 mm <sup>2</sup>
2 conductors with the same cross section, flexible, with TWIN ferrule with plastic sleeve	0.5 mm <sup>2</sup> ... 2.5 mm <sup>2</sup>
Internal cylindrical gage	A4
Stripping length	8 mm
Tightening torque	0.6 Nm ... 0.8 Nm

# DFK 4-PE - PE panel panel feed-through terminal block

0708315

<https://www.phoenixcontact.com/us/products/0708315>

## Material specifications

### Material data - contact

Note	WEEE/RoHS-compliant, free of whiskers according to IEC 60068-2-82/JEDEC JESD 201
Contact material	Cu alloy
Surface characteristics	tin-plated

### Material data - housing

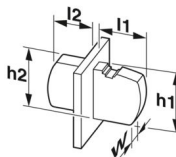
Color (Housing)	green-yellow ( )
Insulating material	PA
Insulating material group	I
CTI according to IEC 60112	600
Flammability rating according to UL 94	V2

## Notes

### Safety note

Safety note	<ul style="list-style-type: none"><li>• Only electrically qualified personnel may install and operate the product. To recognize and prevent danger, the qualified personnel must be familiar with the basics of electrical engineering.</li><li>• Observe the technical data provided here and refer to the documents listed under "Downloads". The download area contains important information, such as installation notes, technical drawings, and 3D data.</li></ul>
-------------	--

## Dimensions

Dimensional drawing	
Pitch	6 mm
Width [w]	6.1 mm
Height [h]	24.7 mm
Length [l]	29 mm

## Electrical tests

### Air clearances and creepage distances | 1. Insulation coordination

Insulating material group	I
Rated insulation voltage (III/3)	400 V
Rated surge voltage (III/3)	4 kV

## Environmental and real-life conditions

# DFK 4-PE - PE panel panel feed-through terminal block



0708315

<https://www.phoenixcontact.com/us/products/0708315>

## Ambient conditions

Relative humidity (storage/transport)	30 % ... 70 %
---------------------------------------	---------------

## Packaging specifications

Type of packaging	packed in cardboard
-------------------	---------------------

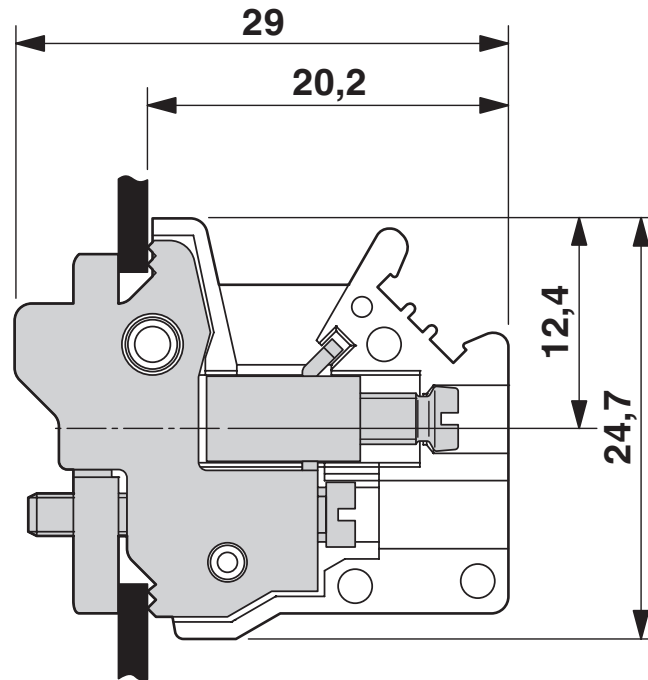
# DFK 4-PE - PE panel panel feed-through terminal block

0708315

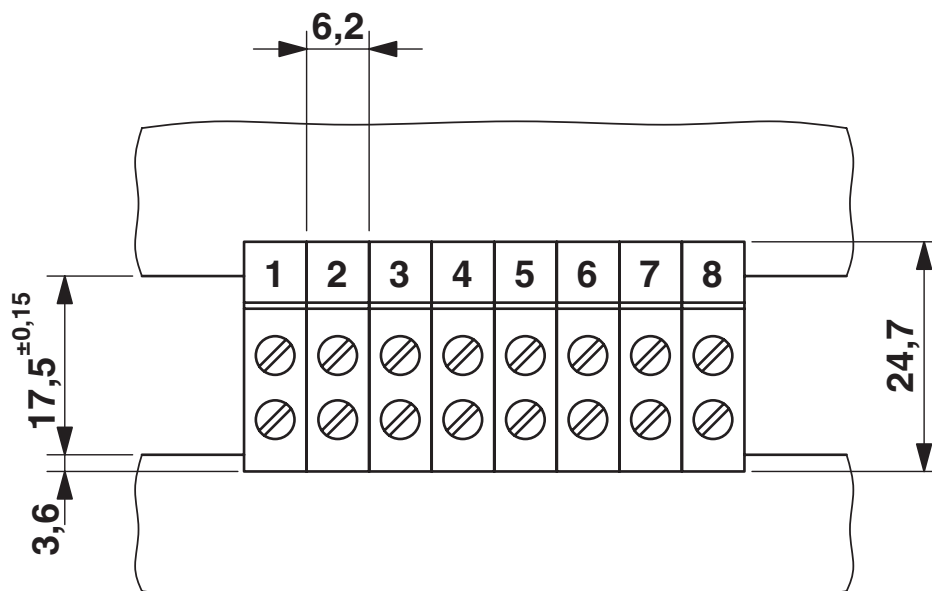
<https://www.phoenixcontact.com/us/products/0708315>

## Drawings

Dimensional drawing



Dimensional drawing



# DFK 4-PE - PE panel panel feed-through terminal block





0708315

<https://www.phoenixcontact.com/us/products/0708315>

## Approvals

To download certificates, visit the product detail page: <https://www.phoenixcontact.com/us/products/0708315>

 <b>CSA</b> Approval ID: 13631				
	Nominal voltage $U_N$	Nominal current $I_N$	Cross section AWG	Cross section $mm^2$
B	-	-	26 - 10	-
D	-	-	26 - 10	-

 <b>cULus Recognized</b> Approval ID: E60425-19900730				
	Nominal voltage $U_N$	Nominal current $I_N$	Cross section AWG	Cross section $mm^2$
B	-	-	30 - 10	-
D	-	-	30 - 10	-

# DFK 4-PE - PE panel panel feed-through terminal block



0708315

<https://www.phoenixcontact.com/us/products/0708315>

## Classifications

### ECLASS

ECLASS-13.0	27141134
ECLASS-15.0	27141134

### ETIM

ETIM 10.0	EC001283
-----------	----------

### UNSPSC

UNSPSC 21.0	39121400
-------------	----------

# DFK 4-PE - PE panel panel feed-through terminal block



0708315

<https://www.phoenixcontact.com/us/products/0708315>

## Environmental product compliance

### EU RoHS

Fulfills EU RoHS substance requirements	Yes, No exemptions
---	--------------------

### China RoHS

Environment friendly use period (EFUP)	EFUP-E
	No hazardous substances above the limits

### EU REACH SVHC

REACH candidate substance (CAS No.)	No substance above 0.1 wt%
-------------------------------------	----------------------------

### EF3.1 Climate Change

CO2e kg	0.377 kg CO2e
---------	---------------

Phoenix Contact 2026 © - all rights reserved  
<https://www.phoenixcontact.com>

Phoenix Contact USA  
586 Fulling Mill Road  
Middletown, PA 17057, United States  
(+717) 944-1300  
[info@phoenixcon.com](mailto:info@phoenixcon.com)