

HDFK 25-PE - PE panel panel feed-through terminal block

0707785

<https://www.phoenixcontact.com/us/products/0707785>

Please be informed that the data shown in this PDF document is generated from our online catalog. Please find the complete data in the user documentation. Our general terms of use for downloads are valid.



Panel feed-through terminal block, connection method: Screw connection with tension sleeve, Screw connection with tension sleeve, number of positions: 1, load current: 101 A, cross section: 6 mm² - 35 mm², connection direction of the conductor to plug-in direction: 0 °, width: 15.1 mm, color: green-yellow

Your advantages

- Well-known connection principle allows worldwide use
- Low temperature rise, thanks to maximum contact force
- Tool-free snap-in principle enables easy mounting on the device panel
- Automatic panel thickness compensation enables universal use
- PE terminal block with grounding function based on IEC 60947-7-2

Commercial data

Item number	0707785
Packing unit	50 pc
Minimum order quantity	1 pc
Sales key	AA28
Product key	AA1EAA
GTIN	4017918004231
Weight per piece (including packing)	69.27 g
Weight per piece (excluding packing)	69.27 g
Customs tariff number	85369010
Country of origin	GR

HDFK 25-PE - PE panel panel feed-through terminal block



0707785

<https://www.phoenixcontact.com/us/products/0707785>

Technical data

Product properties

Product type	Panel feed-through terminal block
Product family	HDFK 25
Number of positions	1
Pitch	15.1 mm
Number of connections	2
Number of rows	1

Insulation characteristics

Overvoltage category	III
Degree of pollution	3

Electrical properties

Properties

Nominal current I_N	101 A
Nominal voltage U_N	500 V
Rated voltage (III/3)	500 V
Rated surge voltage (III/3)	6 kV

Connection data

Connection technology

Connector system	HDFK 25
Nominal cross section	25 mm ²

Conductor connection exterior

Connection method	Screw connection with tension sleeve
Connection direction of the conductor to plug-in direction	0 °
Conductor cross-section rigid	6 mm ² ... 35 mm ²
Conductor cross-section flexible	10 mm ² ... 25 mm ²
Conductor cross-section, flexible, with ferrule, without plastic sleeve	4 mm ² ... 25 mm ²
Conductor cross-section, flexible, with ferrule, with plastic sleeve	4 mm ² ... 25 mm ²
2 conductors with same cross section, rigid	2.5 mm ² ... 10 mm ²
2 conductors with same cross section, flexible	4 mm ² ... 10 mm ²
2 conductors with same cross section, flexible, with ferrule without plastic sleeve	2.5 mm ² ... 10 mm ²
2 conductors with the same cross section, flexible, with TWIN ferrule with plastic sleeve	2.5 mm ² ... 10 mm ²
Internal cylindrical gage	B8
Stripping length	19 mm
Tightening torque	4 Nm ... 4.5 Nm

Conductor connection interior

HDFK 25-PE - PE panel panel feed-through terminal block



0707785

<https://www.phoenixcontact.com/us/products/0707785>

Connection method	Screw connection with tension sleeve
Connection direction of the conductor to plug-in direction	0 °
Conductor cross-section rigid	6 mm ² ... 35 mm ²
Conductor cross-section flexible	10 mm ² ... 25 mm ²
Conductor cross-section, flexible, with ferrule, without plastic sleeve	4 mm ² ... 25 mm ²
Conductor cross-section, flexible, with ferrule, with plastic sleeve	4 mm ² ... 25 mm ²
2 conductors with same cross section, rigid	2.5 mm ² ... 10 mm ²
2 conductors with same cross section, flexible	4 mm ² ... 10 mm ²
2 conductors with same cross section, flexible, with ferrule without plastic sleeve	2.5 mm ² ... 10 mm ²
2 conductors with the same cross section, flexible, with TWIN ferrule with plastic sleeve	2.5 mm ² ... 10 mm ²
Internal cylindrical gage	B8
Stripping length	19 mm
Tightening torque	4 Nm ... 4.5 Nm

Mounting

Panel thickness	1 mm...6 mm
Attachment to feed-through panel	
Tightening torque	1.5 Nm ... 1.8 Nm (Mounting screw torque)
Screw	M4

Material specifications

Material data - contact

Note	WEEE/RoHS-compliant, free of whiskers according to IEC 60068-2-82/JEDEC JESD 201
Contact material	Cu alloy
Surface characteristics	tin-plated

Material data - housing

Color (Housing)	green-yellow ()
Insulating material	PA
Insulating material group	I
CTI according to IEC 60112	600
Flammability rating according to UL 94	V0
Glow wire flammability index GWFI according to EN 60695-2-12	850
Glow wire ignition temperature GWIT according to EN 60695-2-13	775
Temperature for the ball pressure test according to EN 60695-10-2	125 °C

Notes

Safety note

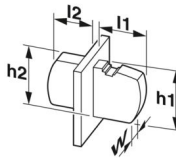
HDFK 25-PE - PE panel panel feed-through terminal block

0707785

<https://www.phoenixcontact.com/us/products/0707785>

Safety note	<ul style="list-style-type: none"> • Only electrically qualified personnel may install and operate the product. To recognize and prevent danger, the qualified personnel must be familiar with the basics of electrical engineering.
	<ul style="list-style-type: none"> • Observe the technical data provided here and refer to the documents listed under “Downloads”. The download area contains important information, such as installation notes, technical drawings, and 3D data.
	<ul style="list-style-type: none"> • The cable entry funnel is not safe to touch. Never connect or disconnect the terminal when it is energized. Take appropriate steps to ensure touch protection.

Dimensions

Dimensional drawing	
Pitch	15.1 mm
Width [w]	15.1 mm
Height [h]	48.5 mm

External dimensions

Width [w]	15.1 mm
Height [h1]	48.5 mm
Length [l1]	38.5 mm

Internal dimensions

Width [w]	15.1 mm
Height [h2]	45 mm
Length [l2]	30 mm

Electrical tests

Air clearances and creepage distances | 1. Insulation coordination

Insulating material group	I
Comparative tracking index (IEC 60112)	CTI 600
Rated insulation voltage (III/3)	500 V
Rated surge voltage (III/3)	6 kV
minimum clearance value - non-homogenous field (III/3)	5.5 mm
minimum creepage distance (III/3)	6.3 mm

Environmental and real-life conditions

Ambient conditions

Relative humidity (storage/transport)	30 % ... 70 %
---------------------------------------	---------------

Packaging specifications

HDFK 25-PE - PE panel panel feed-through terminal block



0707785

<https://www.phoenixcontact.com/us/products/0707785>

Type of packaging	packed in cardboard
-------------------	---------------------

HDFK 25-PE - PE panel panel feed-through terminal block

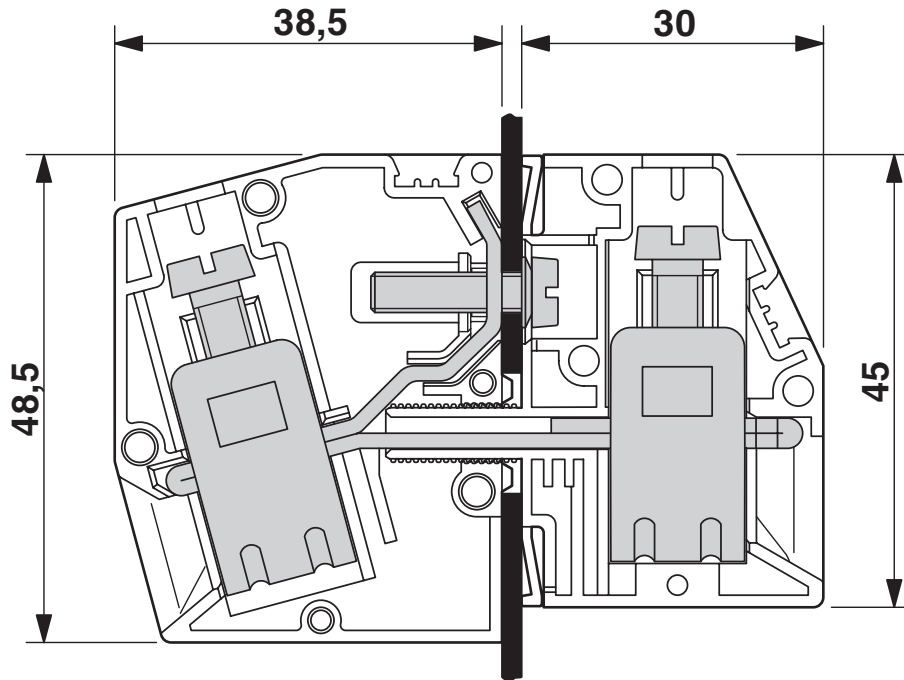


0707785

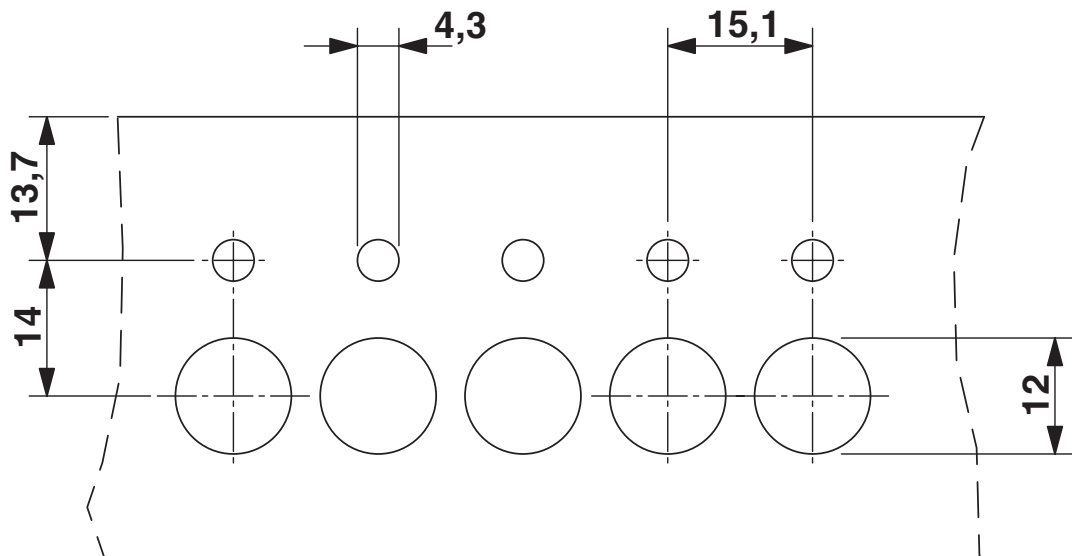
<https://www.phoenixcontact.com/us/products/0707785>

Drawings

Dimensional drawing



Dimensional drawing



HDFK 25-PE - PE panel panel feed-through terminal block



0707785

<https://www.phoenixcontact.com/us/products/0707785>

Classifications

ECLASS

ECLASS-13.0	27141134
ECLASS-15.0	27141134

ETIM

ETIM 9.0	EC001283
----------	----------

UNSPSC

UNSPSC 21.0	39121400
-------------	----------

HDFK 25-PE - PE panel panel feed-through terminal block



0707785

<https://www.phoenixcontact.com/us/products/0707785>

Environmental product compliance

EU RoHS

Fulfills EU RoHS substance requirements	Yes, No exemptions
---	--------------------

China RoHS

Environment friendly use period (EFUP)	EFUP-E
	No hazardous substances above the limits

EU REACH SVHC

REACH candidate substance (CAS No.)	No substance above 0.1 wt%
-------------------------------------	----------------------------

Phoenix Contact 2026 © - all rights reserved
<https://www.phoenixcontact.com>

Phoenix Contact USA
586 Fulling Mill Road
Middletown, PA 17057, United States
(+717) 944-1300
info@phoenixcon.com