

# DFK 5-9,5 - Panel feed-through terminal block

0706605

<https://www.phoenixcontact.com/us/products/0706605>

Please be informed that the data shown in this PDF document is generated from our online catalog. Please find the complete data in the user documentation. Our general terms of use for downloads are valid.



The figure shows a 6-position version

Panel feed-through terminal block, connection method: Screw connection with tension sleeve, Solder/Slip-on connection, number of positions: 1, load current: 18 A, cross section: 0.2 mm<sup>2</sup> - 6 mm<sup>2</sup>, connection direction of the conductor to plug-in direction: 90 °, width: 38 mm, color: gray

## Your advantages

- Well-known connection principle allows worldwide use
- Defined contact force ensures that contact remains stable over the long term
- Allows connection of two conductors

## Commercial data

|                                      |               |
|--------------------------------------|---------------|
| Item number                          | 0706605       |
| Packing unit                         | 50 pc         |
| Minimum order quantity               | 50 pc         |
| Sales key                            | AA28          |
| Product key                          | AA1BAC        |
| GTIN                                 | 4017918003777 |
| Weight per piece (including packing) | 5.709 g       |
| Weight per piece (excluding packing) | 5.2 g         |
| Customs tariff number                | 85369010      |
| Country of origin                    | BG            |

## Technical data

### Product properties

|                       |                                   |
|-----------------------|-----------------------------------|
| Product type          | Panel feed-through terminal block |
| Product family        | DFK 5-9,5                         |
| Number of positions   | 1                                 |
| Pitch                 | 9.5 mm                            |
| Number of connections | 2                                 |
| Number of rows        | 1                                 |
| Number of potentials  | 1                                 |

### Insulation characteristics

|                      |     |
|----------------------|-----|
| Overvoltage category | III |
| Degree of pollution  | 3   |

### Electrical properties

#### Properties

|                             |        |
|-----------------------------|--------|
| Nominal current $I_N$       | 17.5 A |
| Nominal voltage $U_N$       | 690 V  |
| Rated voltage (III/3)       | 690 V  |
| Rated surge voltage (III/3) | 8 kV   |

### Connection data

#### Connection technology

|                       |                   |
|-----------------------|-------------------|
| Nominal cross section | 4 mm <sup>2</sup> |
|-----------------------|-------------------|

#### Conductor connection exterior

|   |  |
|---|--|
| Connection method   | Screw connection with tension sleeve         |
| Connection direction of the conductor to plug-in direction                                | 90 °   |
| Conductor cross-section rigid   | 0.2 mm <sup>2</sup> ... 6 mm <sup>2</sup>    |
| Conductor cross-section flexible  | 0.2 mm <sup>2</sup> ... 4 mm <sup>2</sup>    |
| Conductor cross-section, flexible, with ferrule, without plastic sleeve                   | 0.25 mm <sup>2</sup> ... 4 mm <sup>2</sup>   |
| Conductor cross-section, flexible, with ferrule, with plastic sleeve                      | 0.25 mm <sup>2</sup> ... 2.5 mm <sup>2</sup> |
| 2 conductors with same cross section, rigid   | 0.2 mm <sup>2</sup> ... 1.5 mm <sup>2</sup>  |
| 2 conductors with same cross section, flexible  | 0.2 mm <sup>2</sup> ... 2.5 mm <sup>2</sup>  |
| 2 conductors with same cross section, flexible, with ferrule without plastic sleeve       | 0.25 mm <sup>2</sup> ... 1.5 mm <sup>2</sup> |
| 2 conductors with the same cross section, flexible, with TWIN ferrule with plastic sleeve | 0.5 mm <sup>2</sup> ... 2.5 mm <sup>2</sup>  |
| Internal cylindrical gage   | A4   |
| Stripping length  | 14 mm  |
| Tightening torque   | 0.6 Nm ... 0.8 Nm                            |

#### Conductor connection interior

# DFK 5-9,5 - Panel feed-through terminal block

0706605

<https://www.phoenixcontact.com/us/products/0706605>

|  |   |
|--|---|
| Connection method  | Solder/Slip-on connection                   |
| Connection direction of the conductor to plug-in direction | 0 °   |
| Conductor cross-section rigid                              | 0.2 mm <sup>2</sup> ... 1.5 mm <sup>2</sup> |
| Conductor cross-section flexible                           | 0.2 mm <sup>2</sup> ... 1.5 mm <sup>2</sup> |
| Internal cylindrical gage                                  | A4  |

## Mounting

|                 |                 |
|-----------------|-----------------|
| Panel thickness | 0.5 mm...3.5 mm |
|-----------------|-----------------|

## Material specifications

### Material data - contact

|                         |  |
|-------------------------|--|
| Note                    | WEEE/RoHS-compliant, free of whiskers according to IEC 60068-2-82/JEDEC JESD 201 |
| Contact material        | Cu alloy   |
| Surface characteristics | tin-plated   |

### Material data - housing

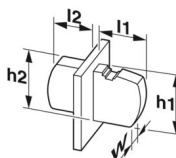
|  |             |
|--|-------------|
| Color (Housing)                        | gray (7042) |
| Insulating material                    | PA          |
| Insulating material group              | I           |
| CTI according to IEC 60112             | 600         |
| Flammability rating according to UL 94 | V2          |

## Notes

### Safety note

|             |   |
|-------------|---|
| Safety note | <ul style="list-style-type: none"><li>• Only electrically qualified personnel may install and operate the product.<br/>To recognize and prevent danger, the qualified personnel must be familiar with the basics of electrical engineering.</li><li>• Observe the technical data provided here and refer to the documents listed under "Downloads". The download area contains important information, such as installation notes, technical drawings, and 3D data.</li><li>• The cable entry funnel is not safe to touch. Never connect or disconnect the terminal when it is energized. Take appropriate steps to ensure touch protection.</li></ul> |
|-------------|---|

## Dimensions

|                     |  |
|---------------------|--|
| Dimensional drawing |  |
| Pitch               | 9.5 mm   |
| Width [w]           | 38 mm  |
| Height [h]          | 20.1 mm  |

# DFK 5-9,5 - Panel feed-through terminal block



0706605

<https://www.phoenixcontact.com/us/products/0706605>

|            |         |
|------------|---------|
| Length [l] | 38.6 mm |
|------------|---------|

## Mechanical tests

### Test for conductor damage and slackening

|               |                       |
|---------------|-----------------------|
| Specification | IEC 60947-7-1:2009-04 |
| Result        | Test passed           |

### Pull-out test

|   |   |
|---|---|
| Specification   | IEC 60947-7-1:2009-04                   |
| Conductor cross-section/conductor type/tractive force setpoint/actual value | 0.2 mm <sup>2</sup> / solid / > 10 N    |
|   | 0.2 mm <sup>2</sup> / flexible / > 10 N |
|   | 6 mm <sup>2</sup> / solid / > 80 N      |
|   | 4 mm <sup>2</sup> / flexible / > 60 N   |

## Electrical tests

### Temperature-rise test

|                                   |                                |
|-----------------------------------|--------------------------------|
| Specification                     | IEC 60947-7-1:2009-04          |
| Requirement temperature-rise test | Increase in temperature ≤ 45 K |

### Short-time withstand current

|               |                       |
|---------------|-----------------------|
| Specification | IEC 60947-7-1:2009-04 |
|---------------|-----------------------|

### Air clearances and creepage distances | 1. Insulation coordination

|  |                       |
|--|-----------------------|
| Specification  | IEC 60947-7-1:2009-04 |
| Insulating material group                              | I                     |
| Comparative tracking index (IEC 60112)                 | CTI 600               |
| Rated insulation voltage (III/3)                       | 690 V                 |
| Rated surge voltage (III/3)                            | 8 kV                  |
| minimum clearance value - non-homogenous field (III/3) | 8 mm                  |
| minimum creepage distance (III/3)                      | 8 mm                  |

## Environmental and real-life conditions

### Vibration test

|                        |                             |
|------------------------|-----------------------------|
| Specification          | IEC 60068-2-6:2007-12       |
| Frequency              | 10 - 150 - 10 Hz            |
| Sweep speed            | 1 octave/min                |
| Amplitude              | 0.35 mm (10 Hz ... 60.1 Hz) |
| Acceleration           | 5g (60.1 Hz ... 150 Hz)     |
| Test duration per axis | 2.5 h                       |
| Test directions        | X-, Y- and Z-axis           |

### Glow-wire test

|                  |                        |
|------------------|------------------------|
| Specification    | IEC 60695-2-11:2014-02 |
| Temperature      | 960 °C                 |
| Time of exposure | 30 s                   |

# DFK 5-9,5 - Panel feed-through terminal block



0706605

<https://www.phoenixcontact.com/us/products/0706605>

## Ambient conditions

|   |   |
|---|---|
| Ambient temperature (storage/transport) | -40 °C ... 70 °C  |
| Relative humidity (storage/transport)   | 30 % ... 70 %   |
| Ambient temperature (assembly)          | -5 °C ... 100 °C  |
| Ambient temperature (operation)         | -40 °C ... 100 °C (Depending on the current carrying capacity/derating curve) |

## Ambient conditions

|   |   |
|---|---|
| Ambient temperature (operation)         | -40 °C ... 100 °C (Depending on the current carrying capacity/derating curve) |
| Ambient temperature (storage/transport) | -40 °C ... 70 °C  |
| Relative humidity (storage/transport)   | 30 % ... 70 %   |
| Ambient temperature (assembly)          | -5 °C ... 100 °C  |

## Packaging specifications

|                   |                     |
|-------------------|---------------------|
| Type of packaging | packed in cardboard |
|-------------------|---------------------|

# DFK 5-9,5 - Panel feed-through terminal block

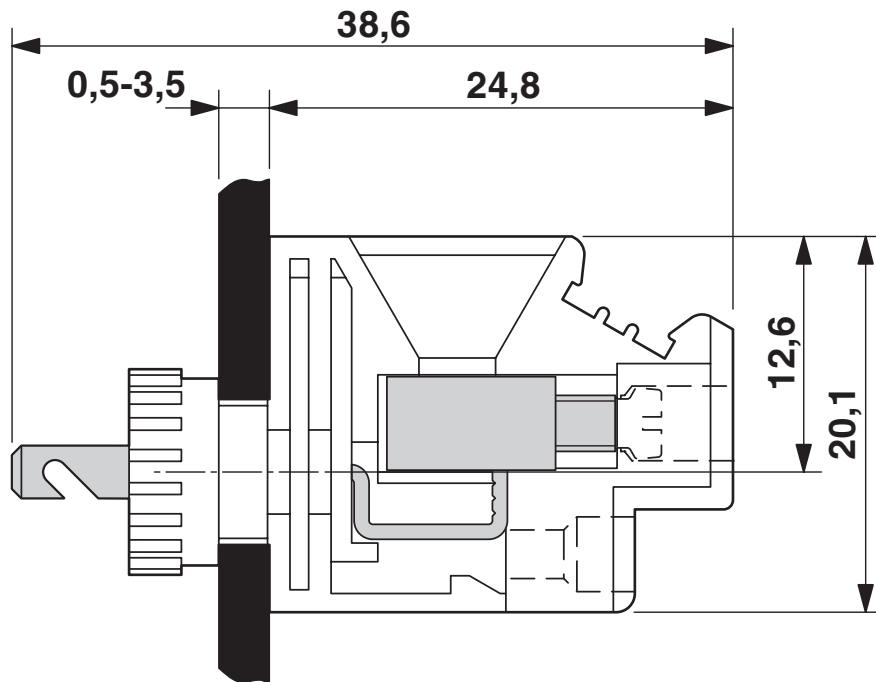


0706605

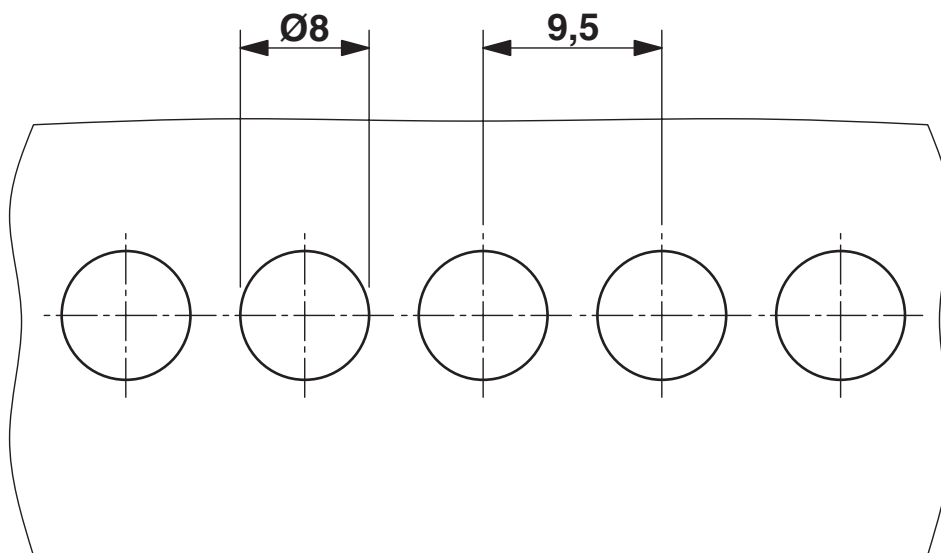
<https://www.phoenixcontact.com/us/products/0706605>

## Drawings

Dimensional drawing



Dimensional drawing

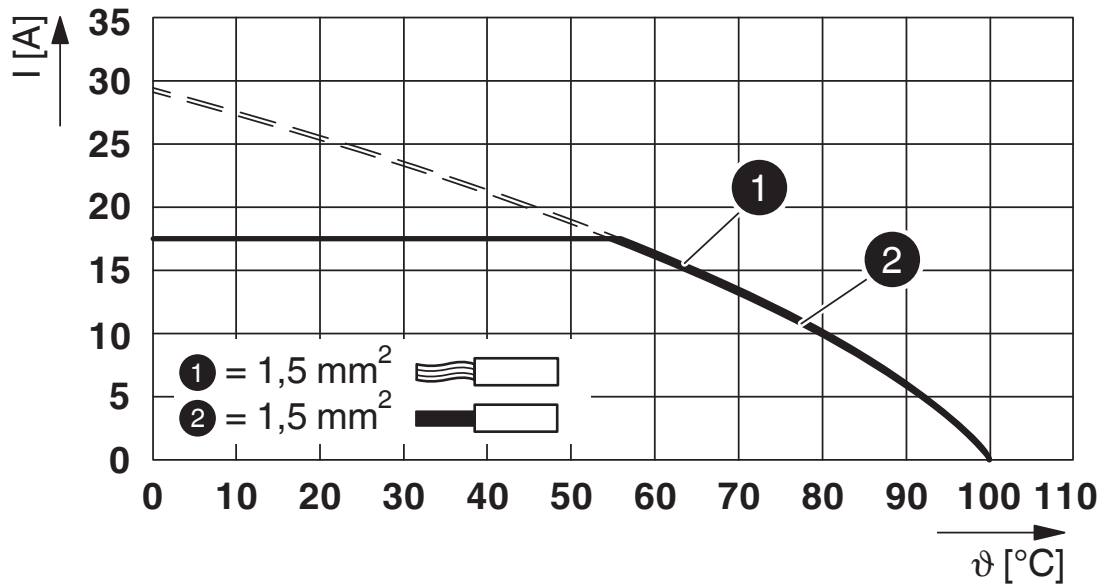


# DFK 5-9,5 - Panel feed-through terminal block

0706605

<https://www.phoenixcontact.com/us/products/0706605>

Diagram



Type: DFK 5-9,5

# DFK 5-9,5 - Panel feed-through terminal block





0706605

<https://www.phoenixcontact.com/us/products/0706605>

## Approvals

To download certificates, visit the product detail page: <https://www.phoenixcontact.com/us/products/0706605>

|  <b>CSA</b><br>Approval ID: 13631 |                       |                       |                   |                             |
|--|-----------------------|-----------------------|-------------------|-----------------------------|
|  | Nominal voltage $U_N$ | Nominal current $I_N$ | Cross section AWG | Cross section $\text{mm}^2$ |
| B  | 300 V                 | 30 A                  | 22 - 10           | -                           |
| C  | 300 V                 | 30 A                  | 22 - 10           | -                           |
| D  | 600 V                 | 5 A                   | 22 - 10           | -                           |

|  <b>cULus Recognized</b><br>Approval ID: E60425-19770427 |                       |                       |                   |                             |
|---|-----------------------|-----------------------|-------------------|-----------------------------|
|   | Nominal voltage $U_N$ | Nominal current $I_N$ | Cross section AWG | Cross section $\text{mm}^2$ |
| B   | 300 V                 | 30 A                  | 30 - 10           | -                           |
| C   | 300 V                 | 30 A                  | 30 - 10           | -                           |
| D   | 600 V                 | 5 A                   | 30 - 10           | -                           |

# DFK 5-9,5 - Panel feed-through terminal block



0706605

<https://www.phoenixcontact.com/us/products/0706605>

## Classifications

### ECLASS

|             |          |
|-------------|----------|
| ECLASS-13.0 | 27141134 |
| ECLASS-15.0 | 27141134 |

### ETIM

|           |          |
|-----------|----------|
| ETIM 10.0 | EC001283 |
|-----------|----------|

### UNSPSC

|             |          |
|-------------|----------|
| UNSPSC 21.0 | 39121400 |
|-------------|----------|

# DFK 5-9,5 - Panel feed-through terminal block



0706605

<https://www.phoenixcontact.com/us/products/0706605>

## Environmental product compliance

### EU RoHS

|   |                    |
|---|--------------------|
| Fulfills EU RoHS substance requirements | Yes, No exemptions |
|---|--------------------|

### China RoHS

|  |  |
|--|--|
| Environment friendly use period (EFUP) | EFUP-E                                   |
|  | No hazardous substances above the limits |

### EU REACH SVHC

|                                     |                            |
|-------------------------------------|----------------------------|
| REACH candidate substance (CAS No.) | No substance above 0.1 wt% |
|-------------------------------------|----------------------------|

### EF3.1 Climate Change

|         |               |
|---------|---------------|
| CO2e kg | 0.092 kg CO2e |
|---------|---------------|

Phoenix Contact 2026 © - all rights reserved  
<https://www.phoenixcontact.com>

Phoenix Contact USA  
586 Fulling Mill Road  
Middletown, PA 17057, United States  
(+717) 944-1300  
[info@phoenixcon.com](mailto:info@phoenixcon.com)