

TCP 30/DC32V - Thermal device circuit breaker



0700030

<https://www.phoenixcontact.com/us/products/0700030>

Please be informed that the data shown in this PDF document is generated from our online catalog. Please find the complete data in the user documentation. Our general terms of use for downloads are valid.



Thermal device circuit breaker, 1-position, nominal current: 30 A, nom. voltage: 32 V, tripping characteristic: thermal, fuse type: Automatic device, mounting type: on base element, rated current: 30 A

Your advantages

- Fast, replacement part-free recommissioning after an event with the reconnection options
- Easy to retrofit in existing systems with vehicle flat-type fuses with identical pin connector pattern
- Easy identification of the nominal current value via color marking

Commercial data

| | |
|--------------------------------------|---------------|
| Item number | 0700030 |
| Packing unit | 50 pc |
| Minimum order quantity | 1 pc |
| Sales key | CL15 |
| Product key | CLA112 |
| GTIN | 4046356079884 |
| Weight per piece (including packing) | 4.1 g |
| Weight per piece (excluding packing) | 4.1 g |
| Customs tariff number | 85362010 |
| Country of origin | DE |

TCP 30/DC32V - Thermal device circuit breaker



0700030

<https://www.phoenixcontact.com/us/products/0700030>

Technical data

Product properties

| | |
|---------------------|---------------------------------|
| Product type | Thermal device circuit breakers |
| Type | Male |
| Number of positions | 1 |
| No. of channels | 1 |

Electrical properties

| | |
|-----------|------------------|
| Fuse type | Automatic device |
| Fuse | Slow-blow |

General

| | |
|-------------------------------------------------|-------------------------------|
| Rated voltage | 32 V DC |
| Rated current I_N | 30 A |
| Rated short-circuit switching capacity I_{cn} | 150 A (≥ 3 shutdowns) |
| | 2000 A (≥ 1 switch-off) |
| | ≤ 50 A (300 switch-offs) |
| Short-circuit switching capacity | 2000 A (≥ 1 switch-off) |
| Fuse | thermal |
| Voltage drop | < 150 mV |

Connection data

| | |
|-------------------|------------------------------------------|
| Note | The reset button must not be obstructed! |
| Nominal current | 30 A |
| Nominal voltage | 32 V AC |
| | 32 V DC |
| Connection method | pluggable |

Dimensions

| | |
|---------------------|---------|
| Dimensional drawing | |
| Width | 6 mm |
| Height | 20.3 mm |
| Depth | 30.4 mm |

Material specifications

| | |
|----------|-------------------------|
| Color | yellow green (RAL 6018) |
| Material | PA |

TCP 30/DC32V - Thermal device circuit breaker



0700030

<https://www.phoenixcontact.com/us/products/0700030>

| | |
|---------------------|----|
| Insulating material | PA |
|---------------------|----|

Mechanical properties

Mechanical data

| | |
|-----------------|----|
| Open side panel | No |
|-----------------|----|

Environmental and real-life conditions

Ambient conditions

| | |
|---------------------------------|-----------------------|
| Degree of protection | IP30 (Actuation area) |
| Ambient temperature (operation) | -40 °C ... 85 °C |
| Humidity test | 240 h, 95 % RH, 40 °C |

Mounting

| | |
|---------------|-----------------|
| Mounting type | on base element |
|---------------|-----------------|

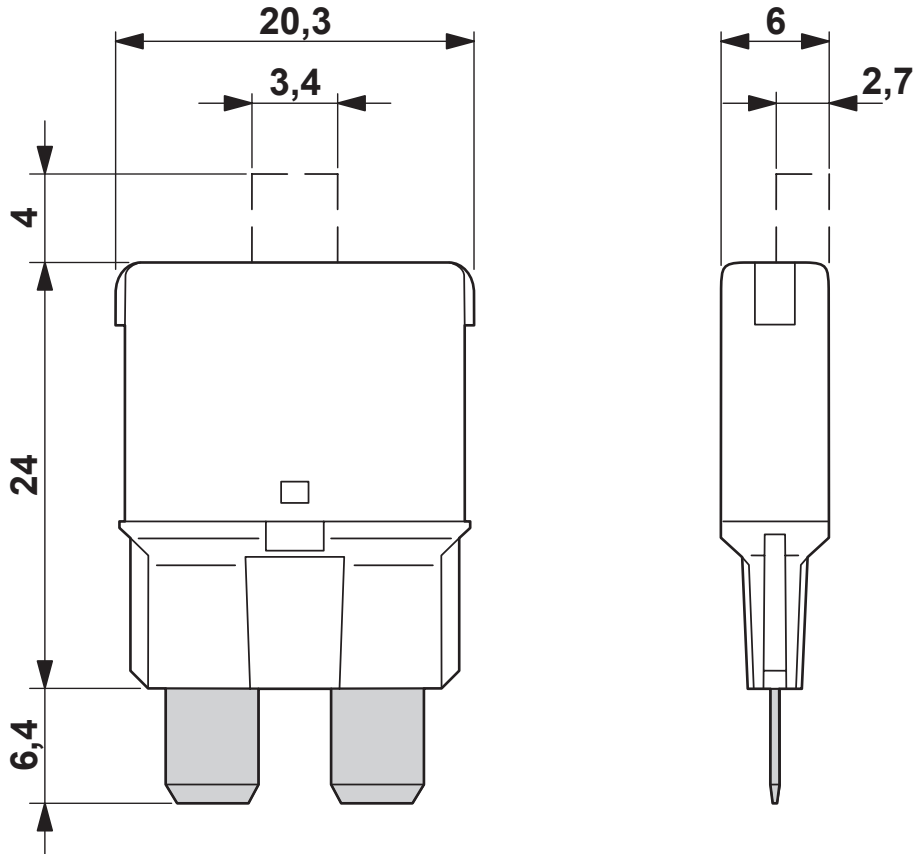
TCP 30/DC32V - Thermal device circuit breaker

0700030

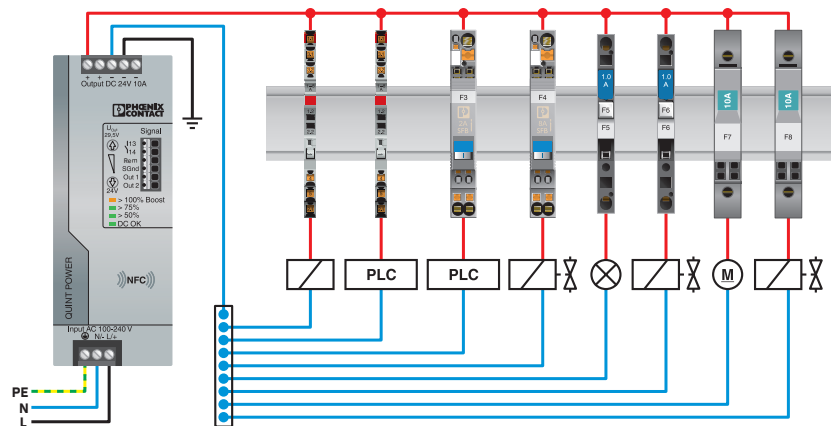
<https://www.phoenixcontact.com/us/products/0700030>

Drawings

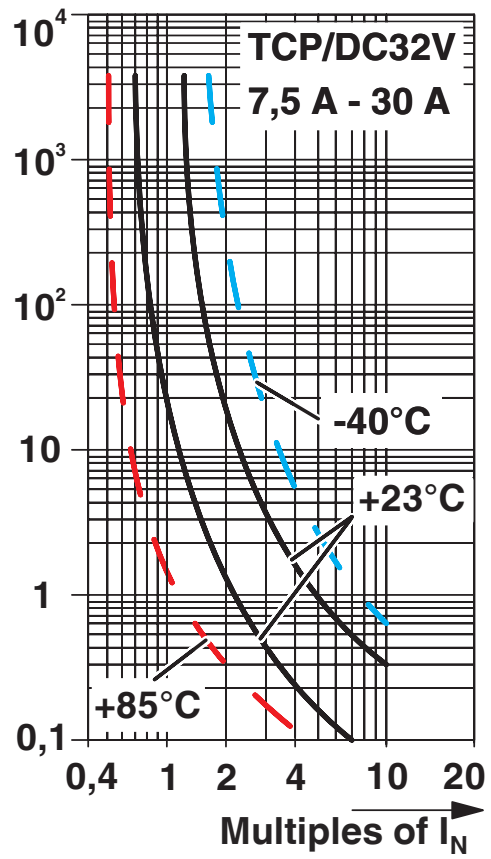
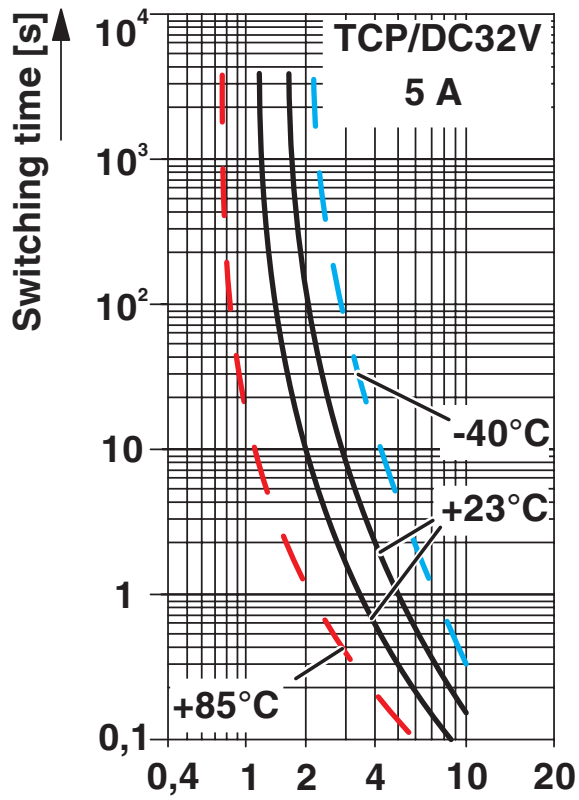
Dimensional drawing



Application drawing



Diagram



TCP 30/DC32V - Thermal device circuit breaker



0700030

<https://www.phoenixcontact.com/us/products/0700030>

Classifications

ECLASS

ECLASS-13.0

27140401

ETIM

ETIM 9.0

EC003538

UNSPSC

UNSPSC 21.0

39121400

TCP 30/DC32V - Thermal device circuit breaker



0700030

<https://www.phoenixcontact.com/us/products/0700030>

Environmental product compliance

EU RoHS

| | |
|-----------------------------------------|--------------|
| Fulfills EU RoHS substance requirements | Yes |
| Exemption | 6(a), 6(a)-I |

China RoHS

| | |
|----------------------------------------|-----------------------------------------------------------------------------------------------------------------------------------------------------------------------------------------------------------------------------------|
| Environment friendly use period (EFUP) | EFUP-25 |
| | An article-related China RoHS declaration table can be found in the download area for the respective article under "Manufacturer declaration". For all articles with EFUP-E, no China RoHS declaration table issued and required. |

EU REACH SVHC

| | |
|-------------------------------------|----------------------------|
| REACH candidate substance (CAS No.) | No substance above 0.1 wt% |
|-------------------------------------|----------------------------|

EF3.1 Climate Change

| | |
|---------|--------------|
| CO2e kg | 0.45 kg CO2e |
|---------|--------------|

Phoenix Contact 2026 © - all rights reserved
<https://www.phoenixcontact.com>

Phoenix Contact USA
586 Fulling Mill Road
Middletown, PA 17057, United States
(+717) 944-1300
info@phoenixcon.com