

TCP 20/DC32V - Thermal device circuit breaker



0700020

<https://www.phoenixcontact.com/us/products/0700020>

Please be informed that the data shown in this PDF document is generated from our online catalog. Please find the complete data in the user documentation. Our general terms of use for downloads are valid.



Thermal device circuit breaker, 1-position, nominal current: 20 A, nom. voltage: 32 V, tripping characteristic: thermal, fuse type: Automatic device, mounting type: on base element, rated current: 20 A

Your advantages

- Fast, replacement part-free recommissioning after an event with the reconnection options
- Easy to retrofit in existing systems with vehicle flat-type fuses with identical pin connector pattern
- Easy identification of the nominal current value via color marking

Commercial data

Item number	0700020
Packing unit	50 pc
Minimum order quantity	1 pc
Sales key	CL15
Product key	CLA112
GTIN	4046356079662
Weight per piece (including packing)	4.1 g
Weight per piece (excluding packing)	4 g
Customs tariff number	85362010
Country of origin	DE

TCP 20/DC32V - Thermal device circuit breaker



0700020

<https://www.phoenixcontact.com/us/products/0700020>

Technical data

Product properties

Product type	Thermal device circuit breakers
Type	Male
Number of positions	1
No. of channels	1

Electrical properties

Fuse type	Automatic device
Fuse	Slow-blow

General

Rated voltage	32 V DC
Rated current I_N	20 A
Rated short-circuit switching capacity I_{cn}	150 A (≥ 3 shutdowns)
	2000 A (≥ 1 switch-off)
	≤ 50 A (300 switch-offs)
Short-circuit switching capacity	2000 A (≥ 1 switch-off)
Fuse	thermal
Voltage drop	< 150 mV

Connection data

Note	The reset button must not be obstructed!
Nominal current	20 A
Nominal voltage	32 V AC
	32 V DC
Connection method	pluggable

Dimensions

Dimensional drawing	
Width	6 mm
Height	20.3 mm
Depth	30.4 mm

Material specifications

Color	colza yellow (RAL 1021)
Material	PA

TCP 20/DC32V - Thermal device circuit breaker



0700020

<https://www.phoenixcontact.com/us/products/0700020>

Insulating material	PA
---------------------	----

Mechanical properties

Mechanical data

Open side panel	No
-----------------	----

Environmental and real-life conditions

Ambient conditions

Degree of protection	IP30 (Actuation area)
Ambient temperature (operation)	-40 °C ... 85 °C
Humidity test	240 h, 95 % RH, 40 °C

Mounting

Mounting type	on base element
---------------	-----------------

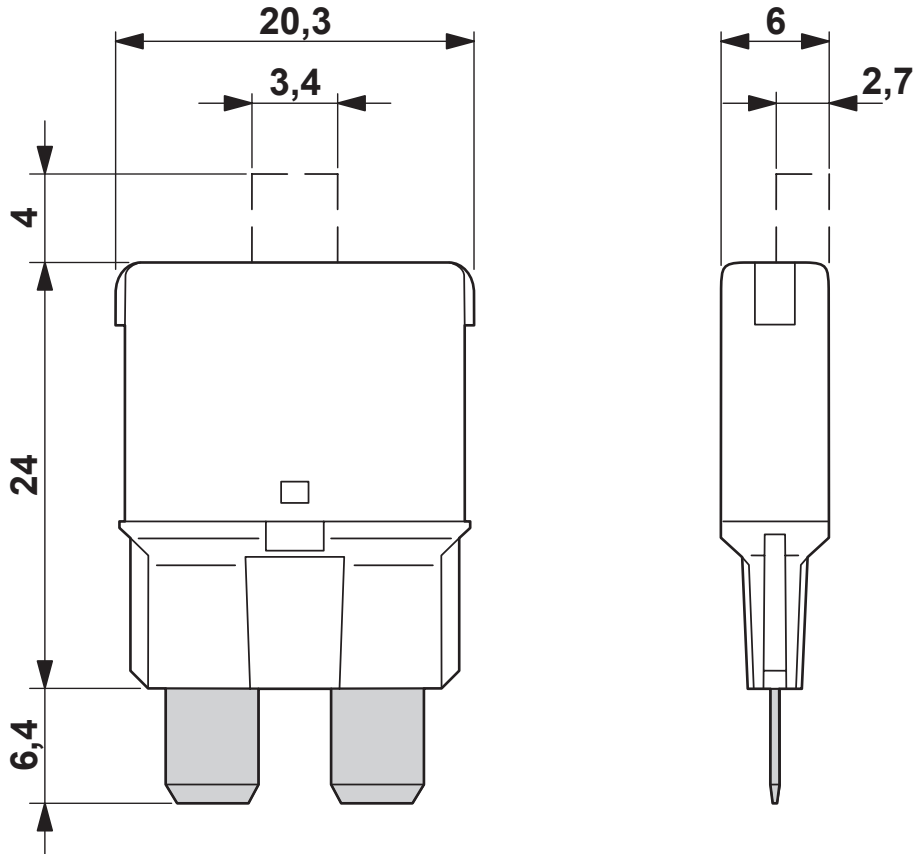
TCP 20/DC32V - Thermal device circuit breaker

0700020

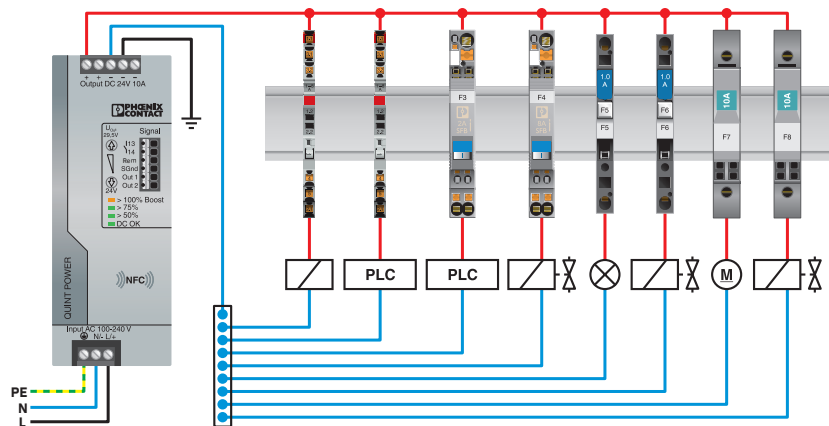
<https://www.phoenixcontact.com/us/products/0700020>

Drawings

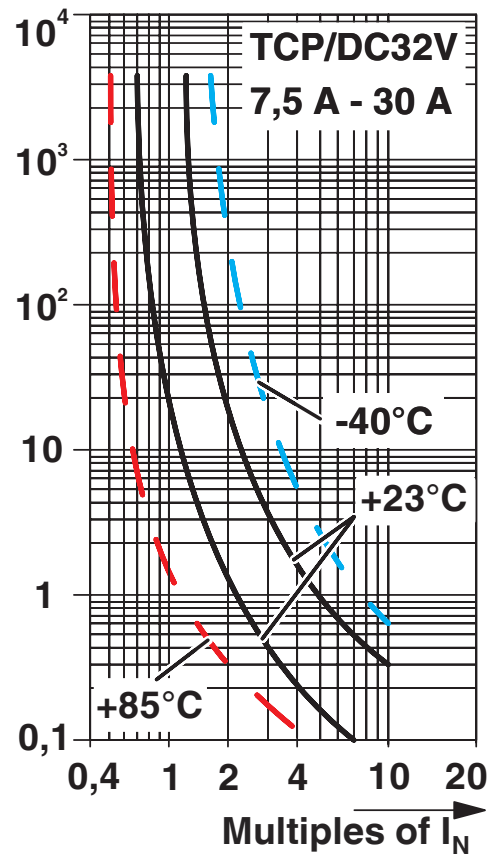
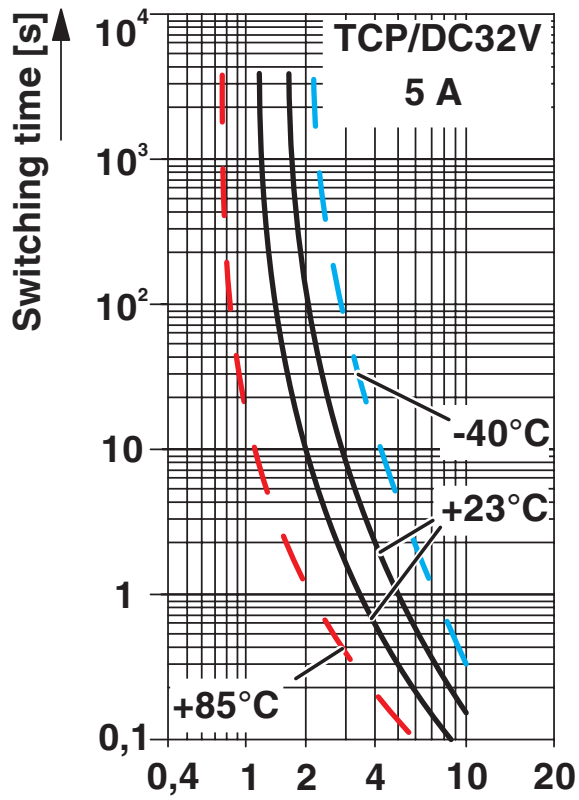
Dimensional drawing



Application drawing



Diagram



TCP 20/DC32V - Thermal device circuit breaker



0700020

<https://www.phoenixcontact.com/us/products/0700020>

Classifications

ECLASS

ECLASS-13.0

27140401

ETIM

ETIM 9.0

EC003538

UNSPSC

UNSPSC 21.0

39121400

TCP 20/DC32V - Thermal device circuit breaker



0700020

<https://www.phoenixcontact.com/us/products/0700020>

Environmental product compliance

EU RoHS

Fulfills EU RoHS substance requirements	Yes
Exemption	6(a), 6(a)-I

China RoHS

Environment friendly use period (EFUP)	EFUP-25
	An article-related China RoHS declaration table can be found in the download area for the respective article under "Manufacturer declaration". For all articles with EFUP-E, no China RoHS declaration table issued and required.

EU REACH SVHC

REACH candidate substance (CAS No.)	Lead(CAS: 7439-92-1)
SCIP	845ee538-8f13-4653-8129-26696864cbf0

EF3.1 Climate Change

CO2e kg	0.45 kg CO2e
---------	--------------

Phoenix Contact 2026 © - all rights reserved
<https://www.phoenixcontact.com>

Phoenix Contact USA
586 Fulling Mill Road
Middletown, PA 17057, United States
(+717) 944-1300
info@phoenixcon.com