

# VAL-MS-EE-T2-3+1-385 - Type 2 surge arrester



2910559

<https://www.phoenixcontact.com/us/products/2910559>

Please be informed that the data shown in this PDF document is generated from our online catalog. Please find the complete data in the user documentation. Our general terms of use for downloads are valid.



Surge arrester consisting of base element and protective connectors, for mounting on NS 35/7.5, execution: 230 V AC - IT system, 3 + 1 circuit.

## Commercial data

Item number	2910559
Packing unit	1 pc
Minimum order quantity	1 pc
Product key	CLP211
GTIN	4055626462752
Weight per piece (including packing)	424.1 g
Weight per piece (excluding packing)	402 g
Country of origin	CN

# VAL-MS-EE-T2-3+1-385 - Type 2 surge arrester

2910559

<https://www.phoenixcontact.com/us/products/2910559>

## Technical data

### Product properties

Product type	Surge arrester
IEC test classification	II
	T2
EN type	T2
IEC power supply system	TN-S
	TT
Type	DIN rail module, two-section, divisible
Number of positions	4
Surge protection fault message	optical
Number of ports	One

### Insulation characteristics

Overvoltage category	III
Pollution degree	2

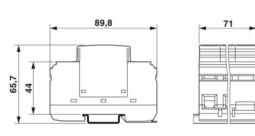
### Electrical properties

Nominal frequency $f_N$	50 Hz (60 Hz)
-------------------------	---------------

### Connection data

Connection method	Screw connection
Screw thread	M5
Tightening torque	3 Nm (1.5 mm <sup>2</sup> ... 16 mm <sup>2</sup> )
	4.5 Nm (25 mm <sup>2</sup> ... 35 mm <sup>2</sup> )
Stripping length	16 mm
Conductor cross-section flexible	1.5 mm <sup>2</sup> ... 25 mm <sup>2</sup>
Conductor cross-section rigid	1.5 mm <sup>2</sup> ... 35 mm <sup>2</sup>
Conductor cross-section AWG	15 ... 2
Connection method	Fork-type cable lug
Conductor cross-section flexible	1.5 mm <sup>2</sup> ... 16 mm <sup>2</sup>

### Dimensions

Dimensional drawing	
Width	71 mm
Height	89.8 mm
Depth	65.7 mm (incl. DIN rail 7.5 mm)
Horizontal pitch	4 Div.

# VAL-MS-EE-T2-3+1-385 - Type 2 surge arrester



2910559

<https://www.phoenixcontact.com/us/products/2910559>

## Material specifications

Color	traffic gray B (RAL 7043)
Flammability rating according to UL 94	V-0
CTI value of material	600
Insulating material	PA 6.6/PBT
Material group	I
Housing material	PA 6.6
	PBT

## Protective circuit

Mode of protection	L-N
	L-PE
	N-PE
Direction of action	3L-N & N-PE
Nominal voltage $U_N$	240/415 V AC (TN-S)
	240/415 V AC (TT)
Nominal frequency $f_N$	50 Hz (60 Hz)
Maximum continuous operating voltage $U_C$ (L-N)	385 V AC
Maximum continuous operating voltage $U_C$ (L-PE)	385 V AC
Maximum continuous operating voltage $U_C$ (N-PE)	260 V AC
Rated load current $I_L$	80 A
Protective conductor current $I_{PE}$	$\leq 5 \mu\text{A}$
Standby power consumption $P_C$	$\leq 525 \text{ mVA}$
Nominal discharge current $I_n$ (8/20) $\mu\text{s}$	20 kA
Maximum discharge current $I_{\text{max}}$ (8/20) $\mu\text{s}$	40 kA
Follow current interrupt rating $I_{fi}$ (N-PE)	100 A
Short-circuit current rating $I_{\text{SCCR}}$	25 kA
Voltage protection level $U_p$ (L-N)	$\leq 1.8 \text{ kV}$
Voltage protection level $U_p$ (L-PE)	$\leq 1.8 \text{ kV}$
Voltage protection level $U_p$ (N-PE)	$\leq 1.5 \text{ kV}$
Residual voltage $U_{\text{res}}$ (L-N)	$\leq 1.8 \text{ kV}$ (at $I_n$ )
	$\leq 1.7 \text{ kV}$ (at 10 kA)
	$\leq 1.5 \text{ kV}$ (at 5 kA)
	$\leq 1.3 \text{ kV}$ (at 3 kA)
Residual voltage $U_{\text{res}}$ (L-PE)	$\leq 1.8 \text{ kV}$ (at $I_n$ )
	$\leq 1.7 \text{ kV}$ (at 10 kA)
	$\leq 1.5 \text{ kV}$ (at 5 kA)
	$\leq 1.4 \text{ kV}$ (at 3 kA)
Residual voltage $U_{\text{res}}$ (N-PE)	$\leq 0.4 \text{ kV}$ (at $I_n$ )
	$\leq 0.25 \text{ kV}$ (at 10 kA)
	$\leq 0.15 \text{ kV}$ (at 5 kA)
	$\leq 0.1 \text{ kV}$ (at 3 kA)
TOV behavior at $U_T$ (L-N)	415 V AC (5 s / withstand mode)

# VAL-MS-EE-T2-3+1-385 - Type 2 surge arrester



2910559

<https://www.phoenixcontact.com/us/products/2910559>

	440 V AC (120 min / withstand mode)
TOV behavior at $U_T$ (N-PE)	1200 V AC (200 ms / withstand mode)
Response time $t_A$ (L-N)	$\leq 25$ ns
Response time $t_A$ (L-PE)	$\leq 100$ ns
Response time $t_A$ (N-PE)	$\leq 100$ ns
Max. backup fuse with V-type through wiring	80 A (gG)
Max. backup fuse with branch wiring	125 A (gG)

## Environmental and real-life conditions

### Ambient conditions

Degree of protection	IP20 (only when all terminal points are used)
Ambient temperature (operation)	-40 °C ... 80 °C
Ambient temperature (storage/transport)	-40 °C ... 80 °C
Altitude	$\leq 2000$ m (amsl)
Permissible humidity (operation)	5 % ... 95 %
Shock (operation)	25g (Half-sine / 11 ms / 3x $\pm X$ , $\pm Y$ , $\pm Z$ )
Vibration (operation)	5g (10 ... 500 Hz / 2.5 h / X, Y, Z)

## Standards and regulations

Standards/specifications	IEC 61643-11
Note	2011
Standards/specifications	EN 61643-11
Note	2012

## Mounting

Mounting type	DIN rail: 35 mm
---------------	-----------------

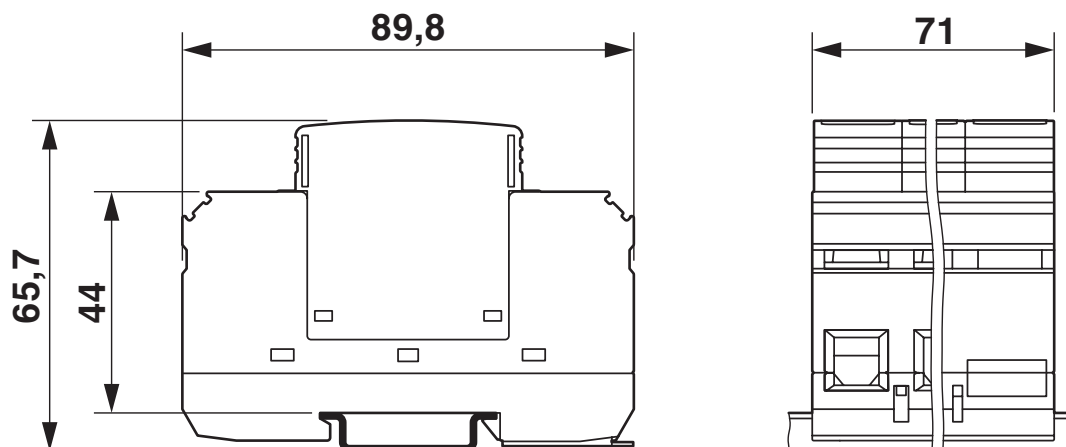
# VAL-MS-EE-T2-3+1-385 - Type 2 surge arrester

2910559

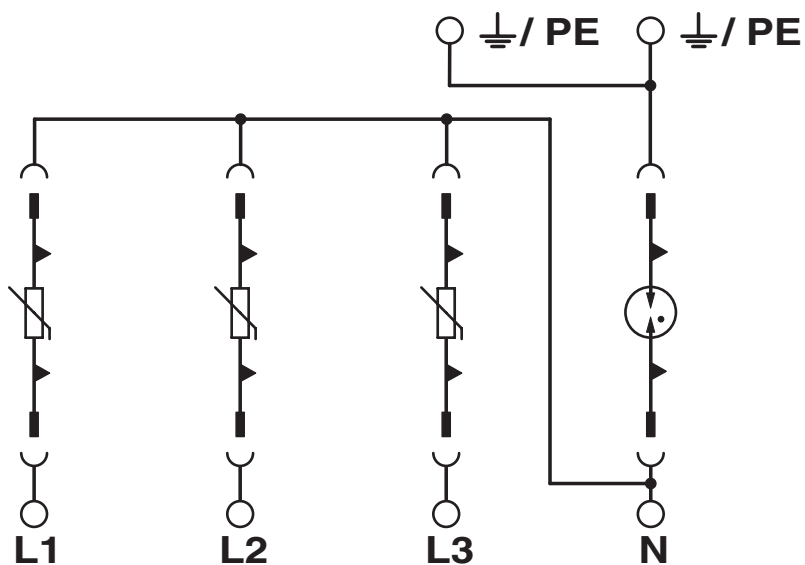
<https://www.phoenixcontact.com/us/products/2910559>

## Drawings

Dimensional drawing



Circuit diagram



# VAL-MS-EE-T2-3+1-385 - Type 2 surge arrester



2910559

<https://www.phoenixcontact.com/us/products/2910559>

## Classifications

### ECLASS

ECLASS-13.0	27171202
ECLASS-15.0	27171202

### ETIM

ETIM 10.0	EC000941
-----------	----------

### UNSPSC

UNSPSC 21.0	39121600
-------------	----------

# VAL-MS-EE-T2-3+1-385 - Type 2 surge arrester



2910559

<https://www.phoenixcontact.com/us/products/2910559>

## Environmental product compliance

### EU RoHS

Fulfills EU RoHS substance requirements	Yes, No exemptions
---	--------------------

### China RoHS

Environment friendly use period (EFUP)	EFUP-E
	No hazardous substances above the limits

### EU REACH SVHC

REACH candidate substance (CAS No.)	No substance above 0.1 wt%
-------------------------------------	----------------------------

### EF3.1 Climate Change

CO2e kg	11.471 kg CO2e
---------	----------------

Phoenix Contact 2026 © - all rights reserved  
<https://www.phoenixcontact.com>

Phoenix Contact USA  
586 Fulling Mill Road  
Middletown, PA 17057, United States  
(+717) 944-1300  
[info@phoenixcon.com](mailto:info@phoenixcon.com)