

TTC-6-2X1-F-M-24DC-PT-I - Surge protection device



2906776

<https://www.phoenixcontact.com/us/products/2906776>

Please be informed that the data shown in this PDF document is generated from our online catalog. Please find the complete data in the user documentation. Our general terms of use for downloads are valid.



Surge protection with integrated status indicator and disconnect knife for two signal wires with common reference potential. Indirect grounding via gas discharge tube, e.g., Digital IN/OUT. Can be used in safety-related circuits up to SIL 3.

Your advantages

- Space-saving and cost-saving with a narrow overall width of just 6 mm
- Continuous monitoring of protective devices, plus mechanical status indicator with optional remote signaling
- Finding the right product for all possible requirements in MCR applications is easy, thanks to the complete range of products with customized features
- Signal circuits easily interrupted for maintenance work, thanks to vertical knife disconnection

Commercial data

| | |
|--------------------------------------|---------------|
| Item number | 2906776 |
| Packing unit | 1 pc |
| Minimum order quantity | 1 pc |
| Sales key | CL23 |
| Product key | CL2262 |
| GTIN | 4055626135342 |
| Weight per piece (including packing) | 38.4 g |
| Weight per piece (excluding packing) | 31.76 g |
| Customs tariff number | 85363010 |
| Country of origin | DE |

TTC-6-2X1-F-M-24DC-PT-I - Surge protection device



2906776

<https://www.phoenixcontact.com/us/products/2906776>

Technical data

Product properties

| | |
|-------------------------|-------------------------------------|
| Product type | Surge protection for MCR technology |
| Product family | TERMITRAB complete |
| IEC test classification | C1 |
| | C2 |
| | C3 |
| | D1 |
| Type | DIN rail module, one-piece |

Insulation characteristics

| | |
|----------------------|-----|
| Overvoltage category | III |
| Pollution degree | 2 |

Electrical properties

| | |
|-----------------------|---------|
| Nominal voltage U_N | 24 V DC |
|-----------------------|---------|

Connection data

| | |
|----------------------------------|---|
| Connection method | Push-in connection |
| Conductor cross-section flexible | 0.2 mm ² ... 2.5 mm ² |
| Conductor cross-section rigid | 0.2 mm ² ... 4 mm ² |
| Conductor cross-section AWG | 24 ... 12 |

Dimensions

| | |
|---------------------|---------------------------------|
| Dimensional drawing | |
| Width | 6.2 mm +0.1 mm |
| Height | 105.8 mm |
| Depth | 83.5 mm (incl. DIN rail 7.5 mm) |

Material specifications

| | |
|--|-----------------------|
| Color | gray (RAL 7042) |
| | light gray (RAL 7035) |
| Flammability rating according to UL 94 | V-0 |
| Insulating material | PBT |
| Housing material | PBT |

Mechanical properties

Mechanical data

TTC-6-2X1-F-M-24DC-PT-I - Surge protection device



2906776

<https://www.phoenixcontact.com/us/products/2906776>

| | |
|-----------------|----|
| Open side panel | No |
|-----------------|----|

Protective circuit

| | |
|---|--|
| Direction of action | Line-Line & Line-Signal Ground/Shield & optional Signal Ground/Shield-Earth Ground |
| Nominal voltage U_N | 24 V DC |
| Maximum continuous operating voltage U_C | 30 V DC 21 V AC |
| Rated current | 600 mA (40 °C) |
| Operating effective current I_C at U_C | $\leq 5 \mu A$ |
| Protective conductor current I_{PE} | $\leq 1 \mu A$ |
| Nominal discharge current I_n (8/20) μs (line-ground) | 5 kA |
| Pulse discharge current I_{imp} (10/350) μs (line-earth) | 0.5 kA |
| Total discharge current I_{Total} (8/20) μs | 10 kA |
| Voltage protection level U_p (line-earth) | ≤ 750 V (C1 - 1 kV / 500 A) ≤ 750 V (C2 - 10 kV / 5 kA) ≤ 1.1 kV (C3 - 25 A) ≤ 1.15 kV (C3 - 100 A) |
| Voltage protection level U_p static (line-earth) | ≤ 750 V (C1 - 1 kV / 500 A) ≤ 750 V (C2 - 10 kV / 5 kA) |
| Response time t_A (line-earth) | ≤ 100 ns |
| Input attenuation aE, asym. | typ. 0.3 dB (≤ 270 kHz/150 Ω) |
| Resistance per path | 1.65 $\Omega \pm 20$ % |
| Surge protection fault message | optical |
| Max. required back-up fuse | 630 mA (FF) |
| Impulse durability (line-earth) | C1 - 1 kV / 500 A C2 - 10 kV / 5 kA C3 - 100 A D1 - 500 A |
| Pulse reset time (line-earth) | ≤ 30 ms |

Additional technical data

| | |
|--|------------|
| Max. total discharge current $I_{total\ max}$ (8/20) μs | 20 kA (1x) |
|--|------------|

Environmental and real-life conditions

Ambient conditions

| | |
|---|----------------------|
| Degree of protection | IP20 |
| Ambient temperature (operation) | -40 °C ... 85 °C |
| Ambient temperature (storage/transport) | -40 °C ... 85 °C |
| Altitude | ≤ 4000 m (amsl) |
| Permissible humidity (operation) | 5 % ... 95 % |

Standards and regulations

| | |
|--------------------------|--------------|
| Standards/specifications | IEC 61643-21 |
|--------------------------|--------------|

TTC-6-2X1-F-M-24DC-PT-I - Surge protection device



2906776

<https://www.phoenixcontact.com/us/products/2906776>

| | |
|------|---|
| Note | 2000 + corrigendum 2001 + A1:2008, modified + A2:2012 |
|------|---|

EN 61643-21

| | |
|--------------------------|-------------|
| Standards/specifications | EN 61643-21 |
|--------------------------|-------------|

| | |
|------|--------------------------|
| Note | 2001 + A1:2009 + A2:2013 |
|------|--------------------------|

Mounting

| | |
|---------------|--------------------------|
| Mounting type | DIN rail: TH 35 - 7.5 mm |
|---------------|--------------------------|

TTC-6-2X1-F-M-24DC-PT-I - Surge protection device

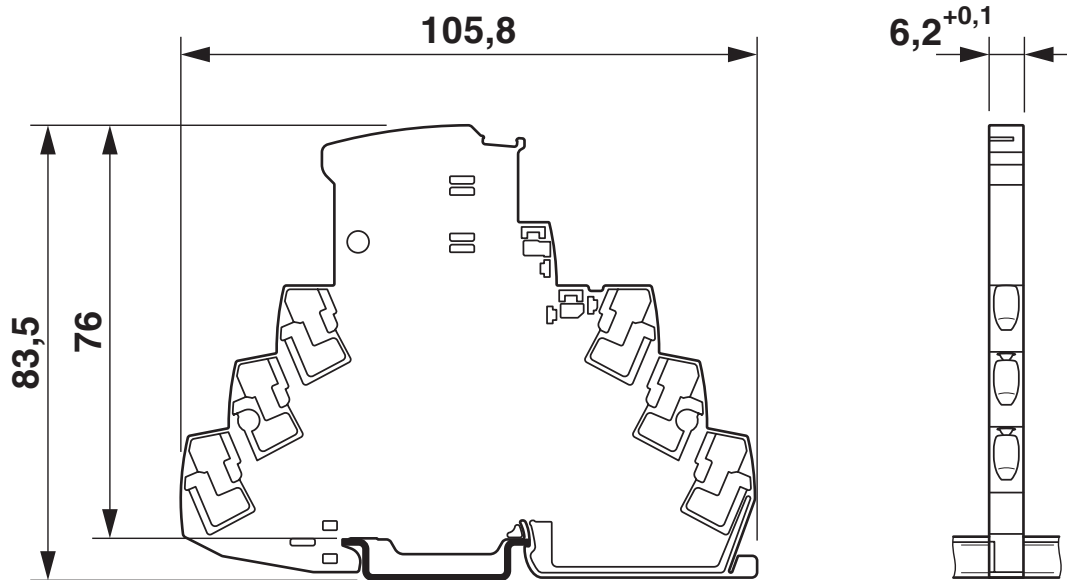


2906776

<https://www.phoenixcontact.com/us/products/2906776>

Drawings

Dimensional drawing



Schematic diagram

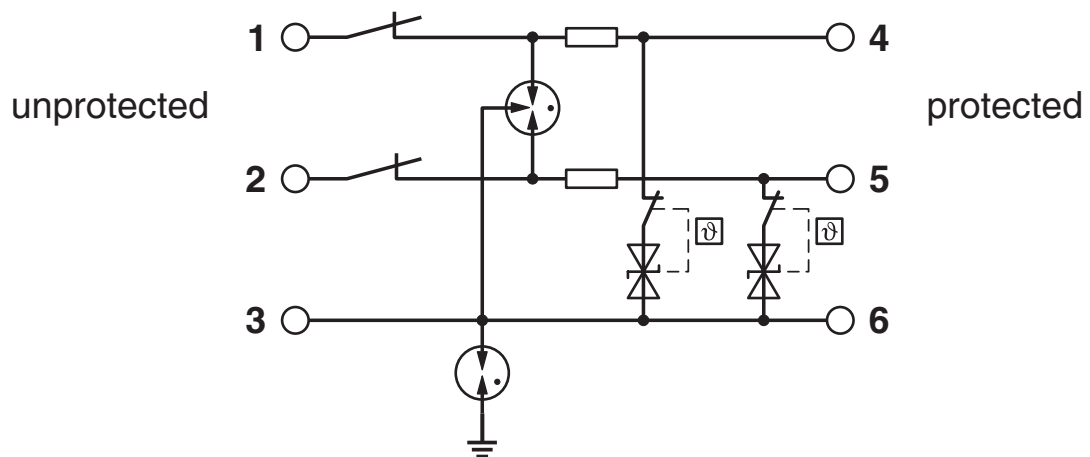
| TTC-6-2X1-F-M-...-I | | | | | | | | | |
|--|--------------------------|---------------------------|--------------------------|-------|--------------------------|----------------------------|------|--------------------------|-------|
| Category | 1oo1 architecture, HFT=0 | | | | 1oo2 architecture, HFT=1 | | | | |
| | PFD _{AVG} | PFH | Used budget of SIL 2 SIF | | PFD _{AVG} | PFH | CCF | Used budget of SIL 3 SIF | |
| | | | PFD _{AVG} | PFH | | | | PFD _{AVG} | PFH |
| | 2.25x10 ⁻⁵ | 4.00x10 ⁻⁹ 1/h | 0.2 % | 0.4 % | 1.13x10 ⁻⁶ | 2.00x10 ⁻¹⁰ 1/h | 5 % | 0.1 % | 0.2 % |
| | | | | | 2.25x10 ⁻⁶ | 4.00x10 ⁻¹⁰ 1/h | 10 % | 0.2 % | 0.4 % |
| Calculation based on exida report, Phoenix Contact 16/06-072 R023 V3R1 exida Profile 1, FMEDA Analysis 2, T _{proof} : 1 year, MT: 10 years, MTTR: 24 hours, PTC: 99% Used standards IEC/EN 61508, edition 2010 (device specific) IEC/EN 61511, edition 2016 + COR1:2016 + A1:2017 (system specific) | | | | | | | | | |

Functional safety scenarios

Diagram



Circuit diagram



TTC-6-2X1-F-M-24DC-PT-I - Surge protection device



2906776


<https://www.phoenixcontact.com/us/products/2906776>

Approvals

To download certificates, visit the product detail page: <https://www.phoenixcontact.com/us/products/2906776>

 **CSA**
Approval ID: 70136717

 **DNV GL**
Approval ID: TAE000027G

 **UL Listed**
Approval ID: FILE E 138168

 **CSAus**
Approval ID: 70136717

UAE-RoHS
Approval ID: 22-06-16191

Functional Safety
Approval ID: 16-06-072 R023 V3R1

TTC-6-2X1-F-M-24DC-PT-I - Surge protection device



2906776

<https://www.phoenixcontact.com/us/products/2906776>

Classifications

ECLASS

| | |
|-------------|----------|
| ECLASS-13.0 | 27171501 |
| ECLASS-15.0 | 27171501 |

ETIM

| | |
|-----------|----------|
| ETIM 10.0 | EC001466 |
|-----------|----------|

UNSPSC

| | |
|-------------|----------|
| UNSPSC 21.0 | 39121600 |
|-------------|----------|

2906776

<https://www.phoenixcontact.com/us/products/2906776>

Environmental product compliance

EU RoHS

| | |
|---|--------------|
| Fulfills EU RoHS substance requirements | Yes |
| Exemption | 7(a), 7(c)-I |

China RoHS

| | |
|--|---|
| Environment friendly use period (EFUP) | EFUP-50 |
| | An article-related China RoHS declaration table can be found in the download area for the respective article under "Manufacturer declaration". For all articles with EFUP-E, no China RoHS declaration table issued and required. |

EU REACH SVHC

| | |
|-------------------------------------|--------------------------------------|
| REACH candidate substance (CAS No.) | Lead(CAS: 7439-92-1) |
| SCIP | c35cbe9c-a933-40e3-a6d5-5d99e5ad7504 |

EF3.1 Climate Change

| | |
|---------|---------------|
| CO2e kg | 1.537 kg CO2e |
|---------|---------------|

Phoenix Contact 2026 © - all rights reserved
<https://www.phoenixcontact.com>

Phoenix Contact USA
 586 Fulling Mill Road
 Middletown, PA 17057, United States
 (+717) 944-1300
info@phoenixcon.com