

## Relay base - PLC-BSC-TTL/1 - 2982689

Please be informed that the data shown in this PDF Document is generated from our Online Catalog. Please find the complete data in the user's documentation. Our General Terms of Use for Downloads are valid (<http://phoenixcontact.com/download>)



6.2 mm PLC basic terminal block for TTL signal with screw connection, without relay or solid-state relay, for mounting on DIN rail NS 35/7,5, 1 N/O contact, input voltage TTL (5 V DC)

### Your advantages

- 6.2 mm narrow design width
- Screw and spring-cage connection
- RT III protection
- Safe isolation according to EN 50178 (VDE 0160)
- 4 kVrms electrical isolation between coil and contact
- Status indicator
- Bridging options



### Key Commercial Data

Packing unit	10 pc
GTIN	
GTIN	4046356155212
Sales Key	08

### Technical data

#### Note

Utilization restriction	EMC: class A product, see manufacturer's declaration in the download area
-------------------------	---

#### Dimensions

Width	6.2 mm
Height	80 mm
Depth	94 mm

#### Ambient conditions

Ambient temperature (operation)	-20 °C ... 60 °C
---------------------------------	------------------

# Relay base - PLC-BSC-TTL/1 - 2982689

## Technical data

### Ambient conditions

Ambient temperature (storage/transport)	-40 °C ... 85 °C
---	------------------

### Input data

Rated control circuit supply voltage $U_S$	5 V DC
Voltage range with reference to $U_S$	0.9 ... 1.2
Rated control supply current $I_S$	41 mA
Rated actuating voltage $U_C$	5 V DC (TTL)
Voltage range with reference to $U_C$	0.9 ... 1.2
Rated actuating current $I_C$	2.5 mA
Rated actuating voltage $U_C$	5 V DC (TTL)
Rated actuating current $I_C$	2.5 mA
Rated control circuit supply voltage $U_S$	5 V DC
Voltage range with reference to $U_S$	0.9 ... 1.2
Rated control supply current $I_S$	11.5 mA
Switching level 1 signal ("H") (TTL signal)	> 2 V DC
Switching level 0 signal ("L") (TTL signal)	< 0.8 V DC
Nominal input voltage $U_N$	5 V DC (TTL)
Surge voltage protection	> 6.5 V
Transmission frequency	1000 Hz
Surge voltage protection	> 6.5 V

### General

Color	gray
Operating mode	100% operating factor
Mounting position	any
Assembly instructions	In rows with zero spacing

### Connection data

Connection name	Input side
Connection method	Screw connection
Stripping length	8 mm
Screw thread	M3
Conductor cross section solid	0.14 mm <sup>2</sup> ... 2.5 mm <sup>2</sup>
Conductor cross section flexible	0.14 mm <sup>2</sup> ... 2.5 mm <sup>2</sup>
	0.2 mm <sup>2</sup> ... 2.5 mm <sup>2</sup> (Single ferrule)
	2x 0.5 mm <sup>2</sup> ... 1.5 mm <sup>2</sup> (TWIN ferrule)
Conductor cross section AWG	26 ... 14

### Connection data 2

Connection name	Output side
Connection method	Screw connection
Stripping length	8 mm

# Relay base - PLC-BSC-TTL/1 - 2982689

## Technical data

### Connection data 2

Screw thread	M3
Conductor cross section solid	0.14 mm <sup>2</sup> ... 2.5 mm <sup>2</sup>
Conductor cross section flexible	0.14 mm <sup>2</sup> ... 2.5 mm <sup>2</sup>
	0.2 mm <sup>2</sup> ... 2.5 mm <sup>2</sup> (Single ferrule)
	2x 0.5 mm <sup>2</sup> ... 1.5 mm <sup>2</sup> (TWIN ferrule)
Conductor cross section AWG	26 ... 14

### Standards and Regulations

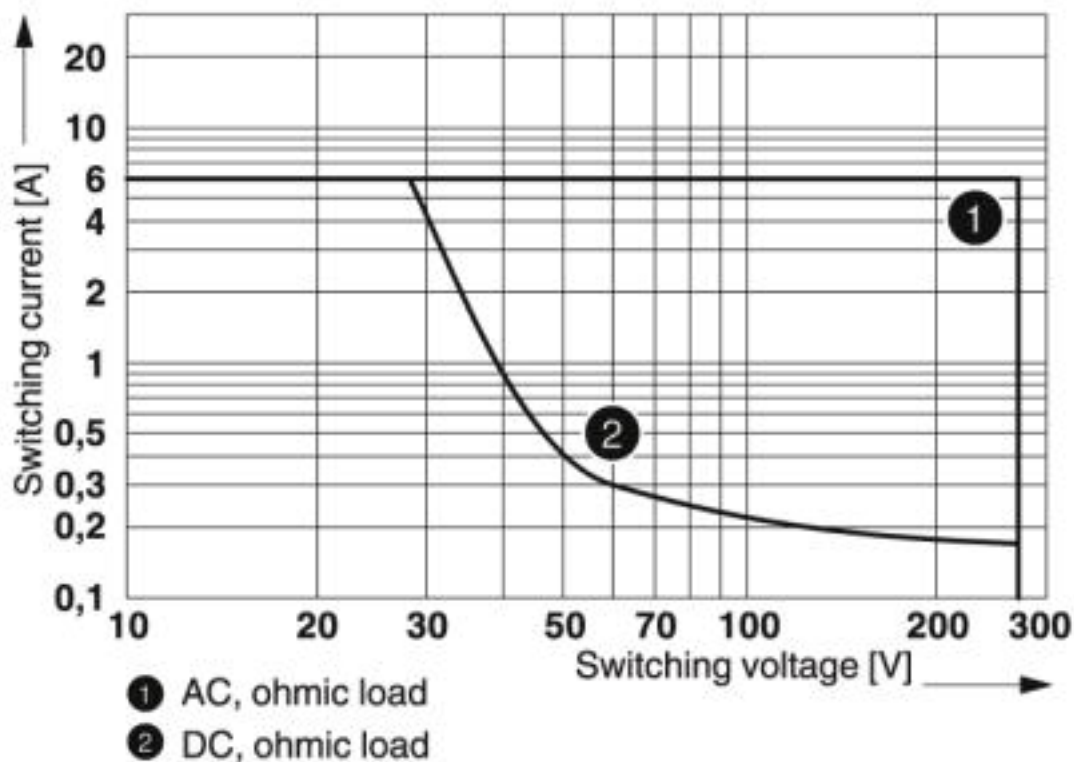
Connection in acc. with standard	CUL
----------------------------------	-----

### Environmental Product Compliance

China RoHS	Environmentally Friendly Use Period = 50
	For details about hazardous substances go to tab "Downloads", Category "Manufacturer's declaration"

## Drawings

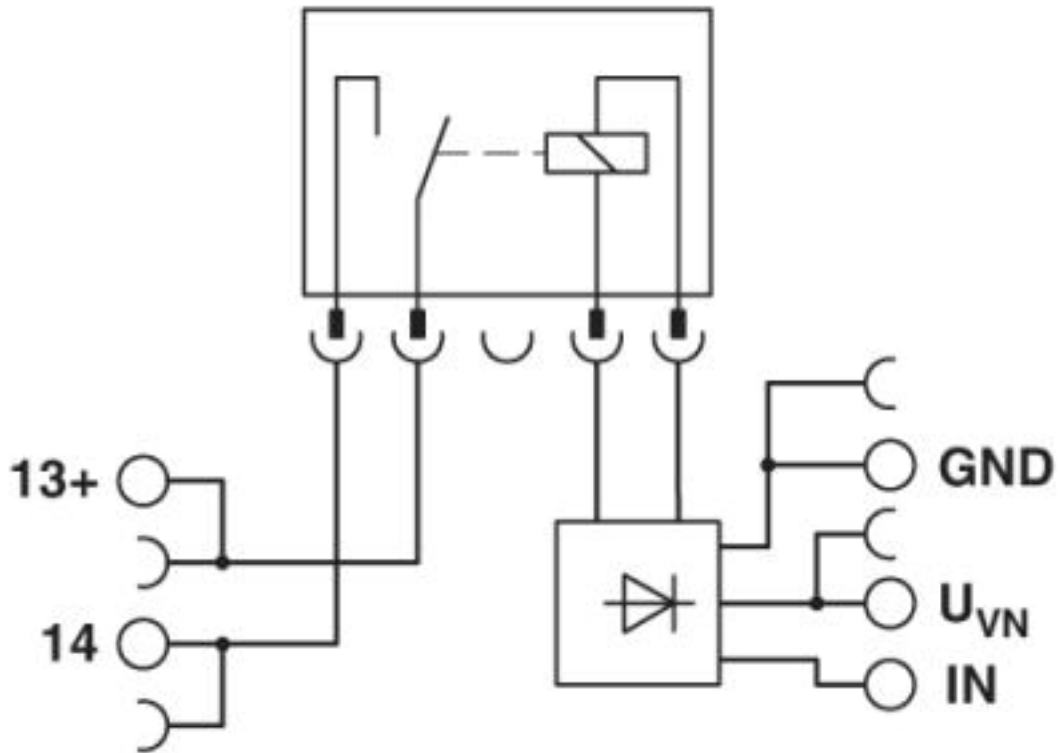
Diagram



Max. interrupting rating

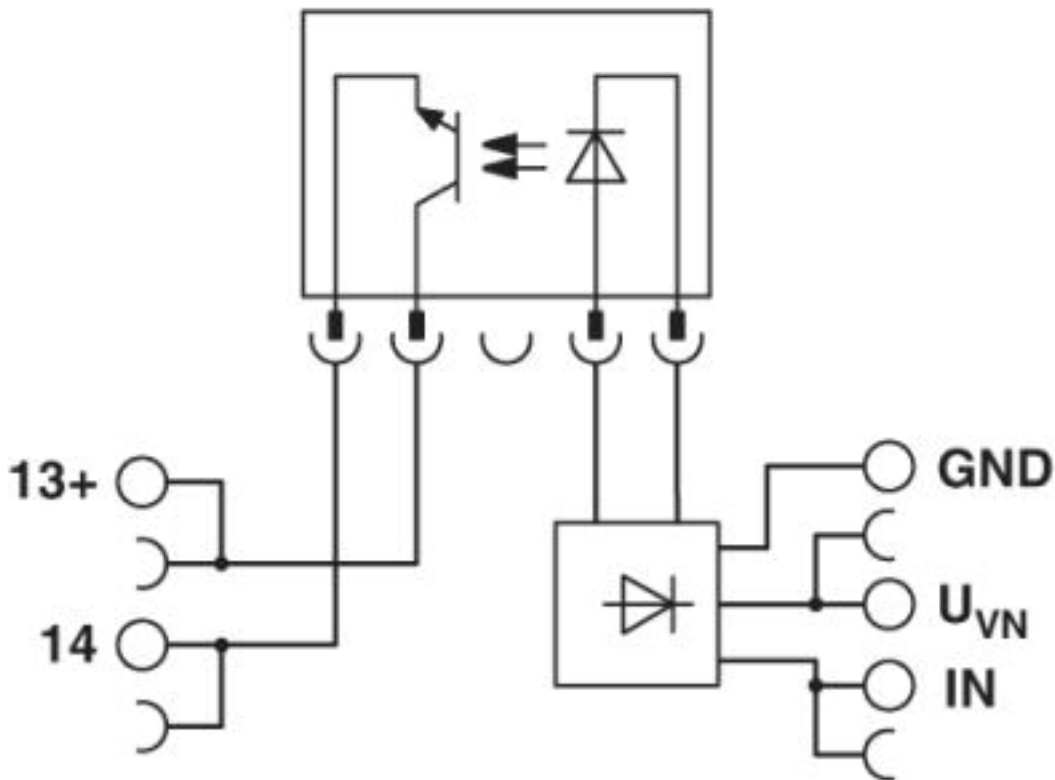
# Relay base - PLC-BSC-TTL/1 - 2982689

Circuit diagram



# Relay base - PLC-BSC-TTL/1 - 2982689

Circuit diagram



## Approvals

Approvals

Approvals

UL Listed / UL Recognized / cUL Recognized / cUL Listed / EAC / cULus Recognized / cULus Listed

Ex Approvals


## Approval details


UL Listed		<a href="http://database.ul.com/cgi-bin/XYV/template/LISEXT/1FRAME/index.htm">http://database.ul.com/cgi-bin/XYV/template/LISEXT/1FRAME/index.htm</a>	FILE E 172140
-----------	--	---	---------------


UL Recognized		<a href="http://database.ul.com/cgi-bin/XYV/template/LISEXT/1FRAME/index.htm">http://database.ul.com/cgi-bin/XYV/template/LISEXT/1FRAME/index.htm</a>	FILE E 238705
---------------	--	---	---------------


## Relay base - PLC-BSC-TTL/1 - 2982689

### Approvals

cUL Recognized		<a href="http://database.ul.com/cgi-bin/XYV/template/LISEXT/1FRAME/index.htm">http://database.ul.com/cgi-bin/XYV/template/LISEXT/1FRAME/index.htm</a>	FILE E 238705
----------------	---	---	---------------

cUL Listed		<a href="http://database.ul.com/cgi-bin/XYV/template/LISEXT/1FRAME/index.htm">http://database.ul.com/cgi-bin/XYV/template/LISEXT/1FRAME/index.htm</a>	FILE E 172140
------------	---	---	---------------

EAC			RU C- DE.A*30.B.01082
-----	---	--	--------------------------

cULus Recognized			
------------------	---	--	--

cULus Listed			
--------------	---	--	--

Phoenix Contact 2019 © - all rights reserved  
<http://www.phoenixcontact.com>

PHOENIX CONTACT GmbH & Co. KG  
Flachsmarktstr. 8  
32825 Blomberg  
Germany  
Tel. +49 5235 300  
Fax +49 5235 3 41200  
<http://www.phoenixcontact.com>