

## Multiple relay module - UMK-16 RM 24DC/MKDS - 2972990


Please be informed that the data shown in this PDF Document is generated from our Online Catalog. Please find the complete data in the user's documentation. Our General Terms of Use for Downloads are valid (<http://phoenixcontact.com/download>)



VARIOFACE module, for 16 plug-in miniature relays or miniature optocouplers, with LED, 24 V DC input voltage



### Key Commercial Data

Packing unit	1 pc
GTIN	 4 017918 088910
GTIN	4017918088910

### Technical data

#### Note

Utilization restriction	EMC: class A product, see manufacturer's declaration in the download area
-------------------------	---

#### Dimensions

Width	259 mm
Height	77 mm
Depth	59 mm

#### Ambient conditions

Ambient temperature (operation)	-20 °C ... 50 °C
Ambient temperature (storage/transport)	-20 °C ... 70 °C
Degree of protection	IP00

#### Input data

Nominal input voltage $U_N$	24 V DC
Input voltage range in reference to $U_N$	0.8 ... 1.1
Typical input current at $U_N$	2 mA (Light indicator)
Type of protection	Free-wheeling diode
Protective circuit/component	Damping diode

# Multiple relay module - UMK-16 RM 24DC/MKDS - 2972990

## Technical data

### Input data

Type of protection	Reverse polarity protection
Protective circuit/component	Polarity protection diode
Operating voltage display	Yellow LED
Status display/channel	Yellow LED

### Output data

Contact type	1 PDT
Maximum switching voltage	250 V AC/DC
Limiting continuous current	5 A
Maximum inrush current	8 A
Error detection (line break / short-circuit)	no

### General

No. of channels	16
Compatible components	Miniature relays or miniature optocouplers
With components	no
Mounting position	any
Color	green

### Connection data

Connection name	Input
Connection method	Screw connection
Stripping length	8 mm
Screw thread	M3
Number of connections	1
Number of positions	20
Conductor cross section solid	0.2 mm <sup>2</sup> ... 4 mm <sup>2</sup>
Conductor cross section flexible	0.2 mm <sup>2</sup> ... 2.5 mm <sup>2</sup>
Conductor cross section AWG	24 ... 12

### Connection data 2

Connection name	Output
Connection method	Screw connection
Stripping length	8 mm
Screw thread	M3
Number of connections	48
Number of positions	3
Conductor cross section solid	0.2 mm <sup>2</sup> ... 4 mm <sup>2</sup>
Conductor cross section flexible	0.2 mm <sup>2</sup> ... 2.5 mm <sup>2</sup>
Conductor cross section AWG	24 ... 12

### Standards and Regulations

Standards/regulations	DIN EN 50178
-----------------------	--------------

# Multiple relay module - UMK-16 RM 24DC/MKDS - 2972990

## Technical data

### Standards and Regulations

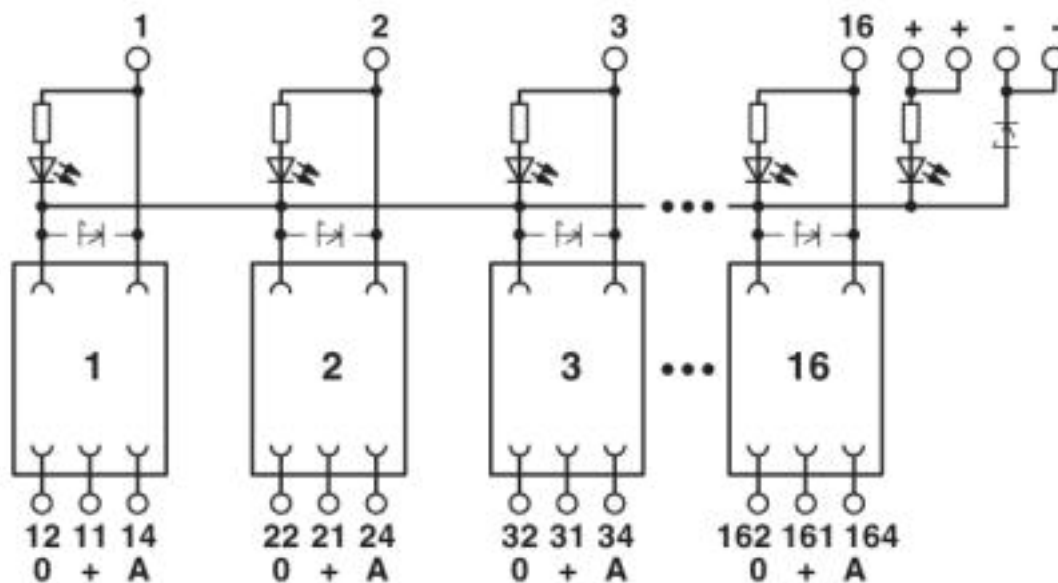
	IEC 60664
Rated insulation voltage	260 V AC
Rated surge voltage	4 kV (Basic insulation between output contact current paths)
	6 kV (Safe isolation and reinforced insulation between input circuit and output contact paths)
Pollution degree	2
Overvoltage category	III

### Environmental Product Compliance

REACH SVHC	Lead 7439-92-1
China RoHS	Environmentally Friendly Use Period = 50 years
	For details about hazardous substances go to tab "Downloads", Category "Manufacturer's declaration"

## Drawings

Circuit diagram



## Classifications

### eCl@ss

eCl@ss 10.0.1	27371603
eCl@ss 4.0	27371100
eCl@ss 4.1	27371100
eCl@ss 5.0	27371600
eCl@ss 5.1	27371000
eCl@ss 6.0	27371600

# Multiple relay module - UMK-16 RM 24DC/MKDS - 2972990

## Classifications

### eCl@ss

eCl@ss 7.0	27371603
eCl@ss 8.0	27371603
eCl@ss 9.0	27371603

### ETIM

ETIM 2.0	EC001456
ETIM 3.0	EC001456
ETIM 4.0	EC001456
ETIM 5.0	EC001456
ETIM 6.0	EC001456
ETIM 7.0	EC001456

### UNSPSC

UNSPSC 6.01	30211916
UNSPSC 7.0901	39121543
UNSPSC 11	39121543
UNSPSC 12.01	39121543
UNSPSC 13.2	39122326
UNSPSC 18.0	39122335
UNSPSC 19.0	39122335
UNSPSC 20.0	39122335
UNSPSC 21.0	39122335

## Approvals

### Approvals

---

Approvals

EAC / EAC

---

Ex Approvals

---

### Approval details

EAC		TR_TS_D_00573_c
-----	--	-----------------

# Multiple relay module - UMK-16 RM 24DC/MKDS - 2972990

## Approvals

EAC		RU*C- DE.*08.B.00010
-----	--	-------------------------

## Accessories

### Accessories

#### Retaining bracket

Retaining bracket - SIM-ERSN-HB-KSR - 2271468



Retainer, for miniature switching relays or miniature optocouplers

Retaining bracket - SIM-ERSN-HB-KSR/MET - 2271497



Retainer, for miniature switching relays or miniature optocouplers

Retaining bracket - SIM-ERSN-HB-MR - 2271471



Retainer, for miniature relay

Retaining bracket - SIM-ERSN-HB-MR/MET - 2271510



Retainer, for miniature relay

#### Single relay

## Multiple relay module - UMK-16 RM 24DC/MKDS - 2972990

### Accessories

Single relay - REL-MR- 24DC/21HC - 2961312



Plug-in miniature power relay, with power contact for high continuous currents, 1 PDT, input voltage 24 V DC

---

Single relay - REL-MR- 24DC/21HC AU - 2961545



Plug-in miniature power relay, with multi-layer gold contact for high continuous currents, 1 PDT, input voltage 24 V DC

---

### Single solid-state relay

Miniature solid-state relay - SIM-EI- 24DC/48DC/100 - 2271073



Input solid-state relay, with protective circuit in input and output circuits, input: 24 V DC, output: 8 - 48 V DC/100 mA

---

Miniature solid-state relay - SIM-EI- 24DC/TTL/100 - 2271154



Input solid-state relay, with protective circuit in input and output circuits, input: 24 V DC, output: TTL logic level, max. 100 mA

---

Miniature solid-state relay - SIM-EI-OV- 24DC/ 24DC/3 - 2300096



Power solid-state relay, with protective circuit in input and output circuits, 24 V DC. DC voltage output of 3 A, max.

---

---

Phoenix Contact 2020 © - all rights reserved  
<http://www.phoenixcontact.com>

PHOENIX CONTACT GmbH & Co. KG  
Flachsmarktstr. 8  
32825 Blomberg  
Germany  
Tel. +49 5235 300  
Fax +49 5235 3 41200  
<http://www.phoenixcontact.com>