

Signal conditioner - MCR-C-I-U- 4-DC - 2814511

Please be informed that the data shown in this PDF Document is generated from our Online Catalog. Please find the complete data in the user's documentation. Our General Terms of Use for Downloads are valid (<http://phoenixcontact.com/download>)



MCR 3-way signal conditioner, for galvanic isolation of analog signals, input signal: 4 mA ... 20 mA, output signal: 0 V ... 10 V. Replacement part: 2902002 MINI MCR-2-I4-U.


The figure shows version MCR-C-I-I-00-DC

Your advantages

- Processing of standard signals
- Fixed setting of input and output signals
- 3-way isolation



Key Commercial Data

Packing unit	5 pc
GTIN	 4 017918 156206
GTIN	4017918156206

Technical data

Note

Utilization restriction	EMC: class A product, see manufacturer's declaration in the download area
-------------------------	---

Dimensions

Width	12.5 mm
Height	99 mm
Depth	114.5 mm

Ambient conditions

Ambient temperature (operation)	-25 °C ... 60 °C
---------------------------------	------------------

Input data

Description of the input	Current input
Number of inputs	1

Signal conditioner - MCR-C-I-U- 4-DC - 2814511

Technical data

Input data

Configurable/programmable	no
Current input signal	4 mA ... 20 mA
Max. input current	50 mA
Input resistance current input	50 Ω

Output data

Number of outputs	1
Configurable/programmable	no
Voltage output signal	0 V ... 10 V
Max. output voltage	15 V
Load/output load voltage output	≥ 10 kΩ
Linear transmission range (in reference to the output range end value)	-10 % ... 110 %

Power supply

Supply voltage range	20 V DC ... 30 V DC
Typical current consumption	< 15 mA (without load)

General

No. of channels	1
Maximum transmission error	≤ 0.3 % (of final value)
Transmission error, typical	< 0.2 % (of final value)
Max. scale factor error	< 0.3 % (of final value)
Maximum temperature coefficient	< 0.015 %/K
Limit frequency (3 dB)	30 Hz
Step response (10-90%)	11 ms
Protective circuit	Transient protection
Test voltage, input/output/supply	1.5 kV (50 Hz, 1 min.)
Color	green
Housing material	Polyamide PA non-reinforced
Mounting position	any

Standards and Regulations

Connection in acc. with standard	CUL
Conformance	CE-compliant

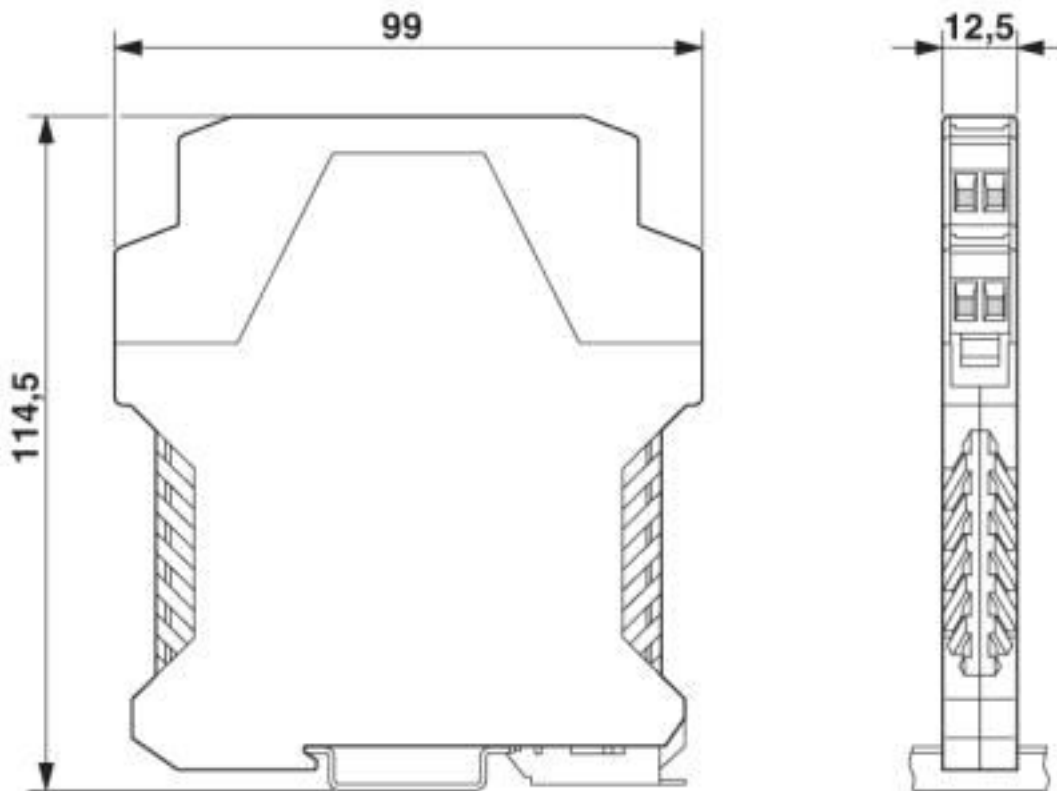
Environmental Product Compliance

REACH SVHC	Lead 7439-92-1
China RoHS	Environmentally Friendly Use Period = 50 years
	For details about hazardous substances go to tab "Downloads", Category "Manufacturer's declaration"

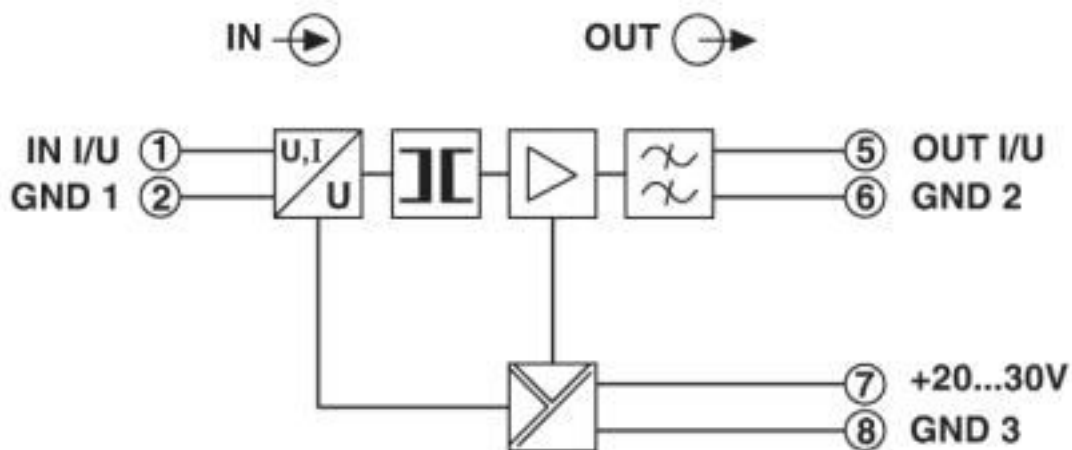
Drawings

Signal conditioner - MCR-C-I-U- 4-DC - 2814511

Dimensional drawing



Circuit diagram



Classifications

eCl@ss

eCl@ss 10.0.1	27210120
eCl@ss 11.0	27210120
eCl@ss 4.0	27210100

Signal conditioner - MCR-C-I-U- 4-DC - 2814511

Classifications

eCl@ss

eCl@ss 4.1	27210100
eCl@ss 5.0	27210100
eCl@ss 5.1	27210100
eCl@ss 6.0	27210100
eCl@ss 7.0	27210120
eCl@ss 8.0	27210120
eCl@ss 9.0	27210120

ETIM

ETIM 4.0	EC002653
ETIM 5.0	EC002653
ETIM 6.0	EC002653
ETIM 7.0	EC002653

UNSPSC

UNSPSC 6.01	30211506
UNSPSC 7.0901	39121008
UNSPSC 11	39121008
UNSPSC 12.01	39121008
UNSPSC 13.2	39121008
UNSPSC 18.0	39121008
UNSPSC 19.0	39121008
UNSPSC 20.0	39121008
UNSPSC 21.0	39121008

Approvals

Approvals

Approvals

UL Recognized / cUL Recognized / EAC / cULus Recognized

Ex Approvals

Approval details

UL Recognized		http://database.ul.com/cgi-bin/XYV/template/LISEXT/1FRAME/index.htm	FILE E 238705
---------------	--	---	---------------

Signal conditioner - MCR-C-I-U- 4-DC - 2814511

Approvals

cUL Recognized		http://database.ul.com/cgi-bin/XYV/template/LISEXT/1FRAME/index.htm	FILE E 238705
----------------	--	---	---------------

EAC			RU*DE.*08.B.01536/19
-----	--	--	----------------------

cULus Recognized			
------------------	--	--	--

Accessories

Accessories

Loop bridge

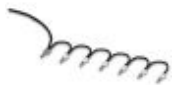
Wire bridge - DB 50- 90 GY - 2820929

Flexible wire loop bridge, 50-pos., conductor cross-section: 0.5 mm², loop length: 90 mm, ferrule length: 8 mm, color: gray



Wire bridge - DB 50- 90 BK - 2820916

Flexible wire loop bridge, 50-pos., conductor cross-section: 0.5 mm², loop length: 90 mm, ferrule length: 8 mm, color: black



Wire bridge - DB 50- 90 BU - 2821180

Flexible wire loop bridge, 50-pos., conductor cross-section: 0.5 mm², loop length: 90 mm, ferrule length: 8 mm, color: blue



Phoenix Contact 2020 © - all rights reserved
<http://www.phoenixcontact.com>

PHOENIX CONTACT GmbH & Co. KG
Flachmarktstr. 8
32825 Blomberg
Germany
Tel. +49 5235 300
Fax +49 5235 3 41200
<http://www.phoenixcontact.com>