

Surge protection device - CN-UB-280DC-3-BB - 2801050

Please be informed that the data shown in this PDF Document is generated from our Online Catalog. Please find the complete data in the user's documentation. Our General Terms of Use for Downloads are valid (<http://phoenixcontact.com/download>)




Attachment plug with replaceable surge protection for coaxial signal interfaces. Connection: N connector socket/socket

Your advantages

- ✓ For outdoor installations
- ✓ Mounting plate enables mounting, e.g., in a control cabinet
- ✓ Replaceable, gas-filled arrester
- ✓ Installed as surge protection between antenna and wireless module

Key Commercial Data

Packing unit	1 pc
GTIN	 4 046356 675727
GTIN	4046356675727

Technical data

Dimensions

Height	33.5 mm
Width	31 mm
Length	57.8 mm

Ambient conditions

Ambient temperature (operation)	-40 °C ... 80 °C
Altitude	2000 m
Degree of protection	IP55
	IP55

General

Housing material	HPb59-1
Color	nickel

Surge protection device - CN-UB-280DC-3-BB - 2801050

Technical data

General

Standards for clearances and creepage distances	IEC 60664-1
Mounting type	Connection-specific intermediate plugging
Type	Attachment plug
Number of positions	1
Direction of action	Line-Shield/Earth Ground

Protective circuit

IEC test classification	C2
	C3
	D1
Maximum continuous voltage U_C	280 V DC
Maximum continuous voltage U_C (line-earth)	280 V DC
Rated current	5 A (25 °C)
Operating effective current I_C at U_C	$\leq 1 \mu\text{A}$
Nominal discharge current I_n (8/20) μs	20 kA
Nominal discharge current I_n (8/20) μs (line-earth)	20 kA
Nominal discharge current I_n (8/20) μs (line-shield)	20 kA
Total surge current (10/350) μs	2.5 kA
Total discharge current I_{total} (8/20) μs	20 kA
Max. discharge current I_{max} (8/20) μs	20 kA
Max. discharge current I_{max} (8/20) μs maximum (line-earth)	20 kA
Max. discharge current I_{max} (8/20) μs maximum (line-shield)	20 kA
Nominal pulse current I_{an} (10/1000) μs (Core-Shield)	100 A
Impulse discharge current (10/350) μs , peak value I_{imp}	2.5 kA
Output voltage limitation at 1 kV/ μs (line-earth) spike	$\leq 900 \text{ V}$
Output voltage limitation at 1 kV/ μs (line-shield) spike	$\leq 900 \text{ V}$
Voltage protection level U_p (line-earth)	$\leq 1.1 \text{ kV}$ (C2 - 10 kV / 5 kA)
	$\leq 900 \text{ V}$ (C1 - 1 kV/500 A)
Voltage protection level U_p (line-shield)	$\leq 900 \text{ V}$ (C1 - 1 kV/500 A)
	$\leq 1.1 \text{ kV}$ (C2 - 10 kV / 5 kA)
Response time t_A (line-earth)	$\leq 100 \text{ ns}$
Response time t_A (line-shield)	$\leq 100 \text{ ns}$
Input attenuation aE, asym.	typ. 0.1 dB ($\leq 3 \text{ GHz}$)
Cut-off frequency f_g (3 dB), asym. (shield) in 50 Ohm system	$> 3 \text{ GHz}$
Frequency range	0 Hz ... 3 GHz
Standing wave ratio SWR in a 50 Ω system	typ. 1.15 ($\leq 3 \text{ GHz}$)
	max. 1.2
Permissible HF power P_{max} at VSWR = xx (50 ohm system)	700 W (VSWR = 1.1)
	200 W (VSWR = ∞)
Capacity (line-earth)	typ. 1.5 pF

Surge protection device - CN-UB-280DC-3-BB - 2801050

Technical data

Protective circuit

Capacity asymmetrical (shield)	typ. 1.5 pF
Surge protection fault message	none
Impulse durability (line-earth)	C2 - 10 kV / 5 kA
	C3 - 100 A
	D1 - 2.5 kA

Connection data

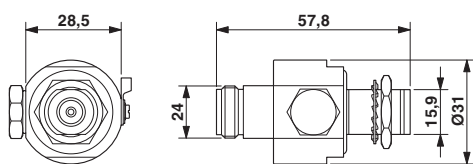
Connection method	N connector 50 Ω
Connection method IN	N connector, female
Connection method OUT	N connector, female

Standards and Regulations

Standards/specifications	IEC 61643-21/A1 2008
	EN 61643-21/A1 2009

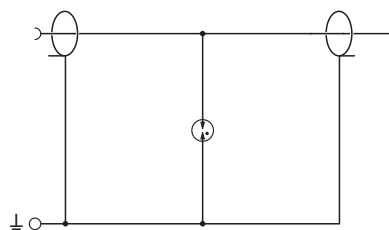
Drawings

Dimensional drawing



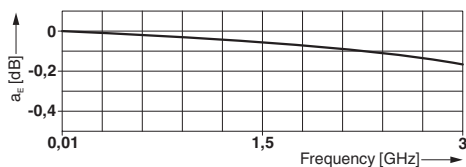
Dimensional drawing
CN-UB-280DC-3-BB

Circuit diagram

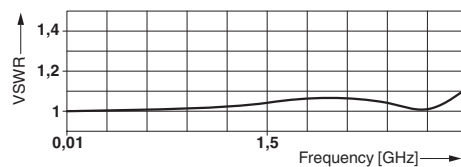


Circuit diagram

Diagram

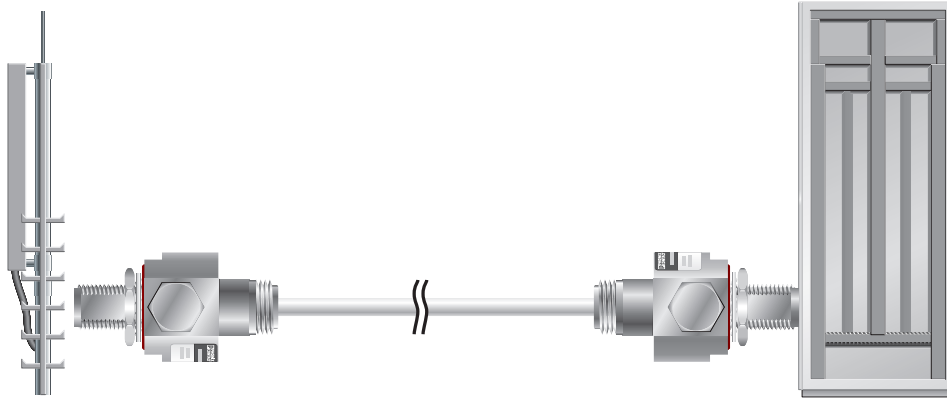


Diagram



Surge protection device - CN-UB-280DC-3-BB - 2801050

Application drawing



Approvals

Approvals

Approvals

EAC

Ex Approvals

Approval details

EAC



RU C-
DE.A*30.B01561

Phoenix Contact 2019 © - all rights reserved
<http://www.phoenixcontact.com>

PHOENIX CONTACT GmbH & Co. KG
Flachsmarktstr. 8
32825 Blomberg
Germany
Tel. +49 5235 300
Fax +49 5235 3 41200
<http://www.phoenixcontact.com>