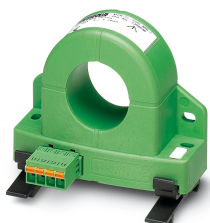


Universal current transducer - MCR-SL-CUC-600-I - 2308098

Please be informed that the data shown in this PDF Document is generated from our Online Catalog. Please find the complete data in the user's documentation. Our General Terms of Use for Downloads are valid (<http://phoenixcontact.com/download>)




Universal current transducer, for measuring DC, AC, and distorted currents, 0 ... 600 A input current, 4 ... 20 mA output

Your advantages

- ✓ Variable mounting on DIN rail and mounting plate
- ✓ Simple connection technology thanks to COMBICON plug-in connection terminal blocks
- ✓ Compact dimensions also enable distributed use
- ✓ 3-way isolation
- ✓ Universal current measurement, no shunt required



Key Commercial Data

Packing unit	1 pc
GTIN	 4 046356 566988
GTIN	4046356566988

Technical data

Dimensions

Width	90 mm
Height	33.8 mm
Depth	85 mm

Ambient conditions

Ambient temperature (operation)	-40 °C ... 65 °C
Ambient temperature (storage/transport)	-40 °C ... 85 °C
Degree of protection	IP20
Noise immunity	EN 61000-6-2

Input data

Number of inputs	1
------------------	---

Universal current transducer - MCR-SL-CUC-600-I - 2308098

Technical data

Input data

Input current range	0 A AC/DC ... 600 A AC/DC
Overload capacity	3 × I _{IN}
Frequency measuring range	20 Hz ... 6000 Hz (0 Hz)
Connection method	Cable design: 32 mm diameter
Rated frequency: Standard converter	20 Hz ... 6000 Hz
Primary rated current I _{pn}	600 A

Output data

Output name	Current output
Current output signal	4 mA ... 20 mA
Max. output current	< 25 mA
Load/output load current output	< 300 Ω

Power supply

Nominal supply voltage	24 V DC
Supply voltage range	20 V DC ... 30 V DC
Max. current consumption	(30 + I _{OUT}) mA
Power consumption	1.65 W

Connection data

Connection method	Push-in connection
Stripping length	10 mm
Conductor cross section solid	0.25 mm ² ... 2.5 mm ²
Conductor cross section flexible	0.2 mm ² ... 2.5 mm ²
Conductor cross section AWG	24 ... 12

General

Accuracy class	1
Maximum transmission error	<± 1 % (of final value)
Temperature coefficient, typical	0.02 %/K (0 °C ... 60 °C) 0.04 %/K (-40 °C ... 65 °C)
Linearity error	<± 1 % (From the range end value)
Step response (10-90%)	150 ms
Noise emission	EN 61000-6-4
Noise immunity	EN 61000-6-2
Housing material	Frinyl B63 V0 GV30

Standards and Regulations

Noise emission	EN 61000-6-4
Noise immunity	EN 61000-6-2
Rated insulation voltage	300 V AC
Pollution degree	2
Overvoltage category	III

Universal current transducer - MCR-SL-CUC-600-I - 2308098

Technical data

Conformance/approvals

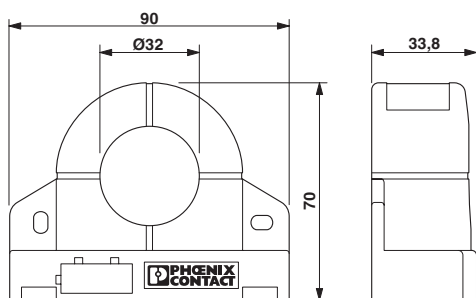
Designation	CE
Certificate	CE-compliant
Designation	UKCA
Certificate	UKCA-compliant

Environmental Product Compliance

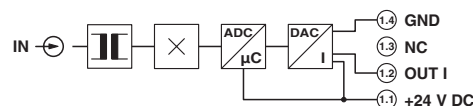
China RoHS	Environmentally Friendly Use Period = 25;
	For information on hazardous substances, refer to the manufacturer's declaration available under "Downloads"

Drawings

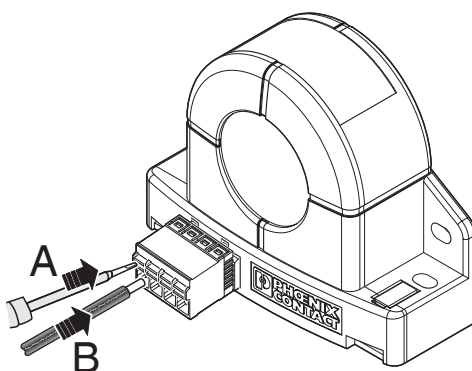
Dimensional drawing



Circuit diagram



Schematic diagram



Classifications

eCl@ss

eCl@ss 10.0.1	27210123
---------------	----------

Universal current transducer - MCR-SL-CUC-600-I - 2308098

Classifications

eCl@ss

eCl@ss 11.0	27210123
eCl@ss 4.0	27210900
eCl@ss 4.1	27210900
eCl@ss 5.0	27210900
eCl@ss 5.1	27210900
eCl@ss 6.0	27210900
eCl@ss 7.0	27210902
eCl@ss 9.0	27210123

ETIM

ETIM 3.0	EC002048
ETIM 4.0	EC002048
ETIM 6.0	EC002048
ETIM 7.0	EC002048

UNSPSC

UNSPSC 6.01	30211506
UNSPSC 7.0901	39121008
UNSPSC 11	39121008
UNSPSC 12.01	39121008
UNSPSC 13.2	39121032
UNSPSC 18.0	39121032
UNSPSC 19.0	39121032
UNSPSC 20.0	39121032

Approvals

Approvals

Approvals

EAC

Ex Approvals

Approval details

EAC		RU*DE.*08.B.01852-19
-----	--	----------------------

Phoenix Contact 2022 © - all rights reserved
<http://www.phoenixcontact.com>

PHOENIX CONTACT GmbH & Co. KG
Flachsmarktstr. 8
32825 Blomberg
Germany
Tel. +49 5235 300
Fax +49 5235 3 41200
<http://www.phoenixcontact.com>