


## D-SUB cable - VS-09-DSUB-20-LI-5,0 - 1656259

Please be informed that the data shown in this PDF Document is generated from our Online Catalog. Please find the complete data in the user's documentation. Our General Terms of Use for Downloads are valid (<http://phoenixcontact.com/download>)



Assembled D-SUB cable, shielded, 9-pos., stranded (7-wire), cable color: RAL 7000 (gray), secured using 4-40 UNC thread, IP20 protection, head 1 with socket shell 1 and straight cable outlet, head 2 with pin shell 1 and straight cable outlet, length: 5 m

### Key Commercial Data

Packing unit	1 pc
GTIN	 4 046356 029735
GTIN	4046356029735

### Technical data

#### Mechanical characteristics

Number of positions	9
Insertion/withdrawal cycles	≥ 50
Cable outlet	straight
Degree of protection	IP20

#### Ambient conditions

Ambient temperature (operation)	0 °C ... 70 °C
Degree of protection	IP20

#### Material data

Housing material	PVC
Contact material	Copper alloy
Contact surface material	gold-plated
Outer sheath, material	PVC

#### Electrical characteristics

Number of positions	9
Rated current	1 A
Overvoltage category	III

# D-SUB cable - VS-09-DSUB-20-LI-5,0 - 1656259

## Technical data

### Electrical characteristics

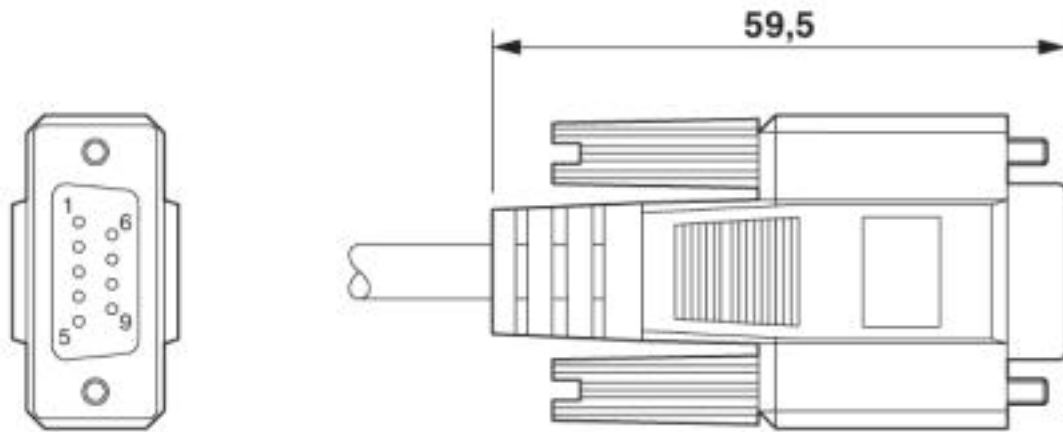
Degree of pollution	2
Rated voltage (III/3)	125 V

### Environmental Product Compliance

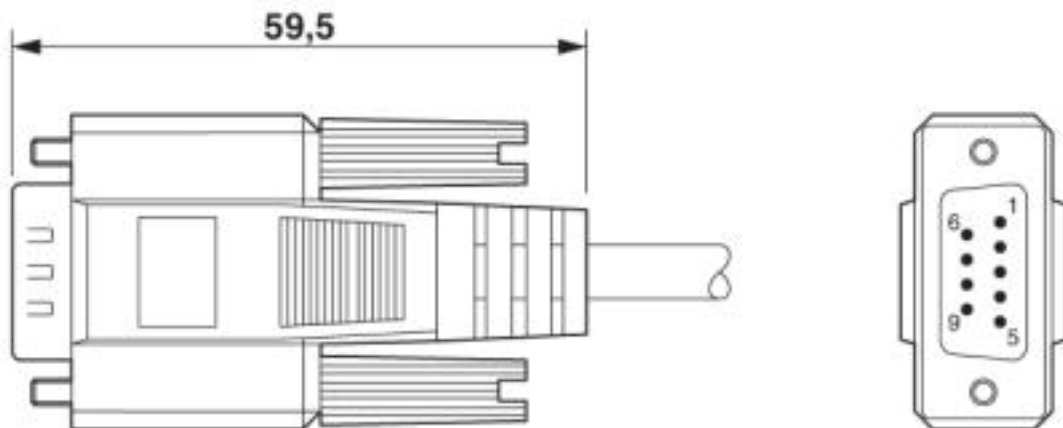
China RoHS	Environmentally friendly use period: unlimited = EFUP-e
	No hazardous substances above threshold values

## Drawings

Dimensional drawing



Dimensional drawing



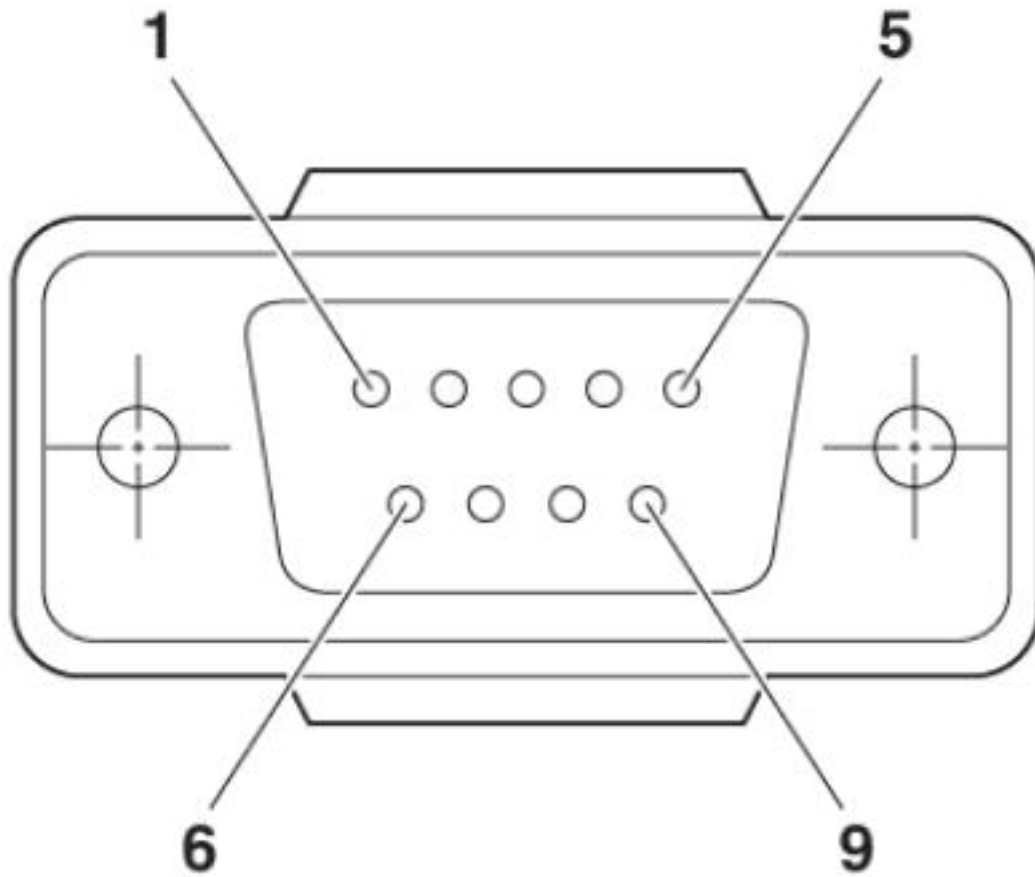
# D-SUB cable - VS-09-DSUB-20-LI-5,0 - 1656259

Circuit diagram



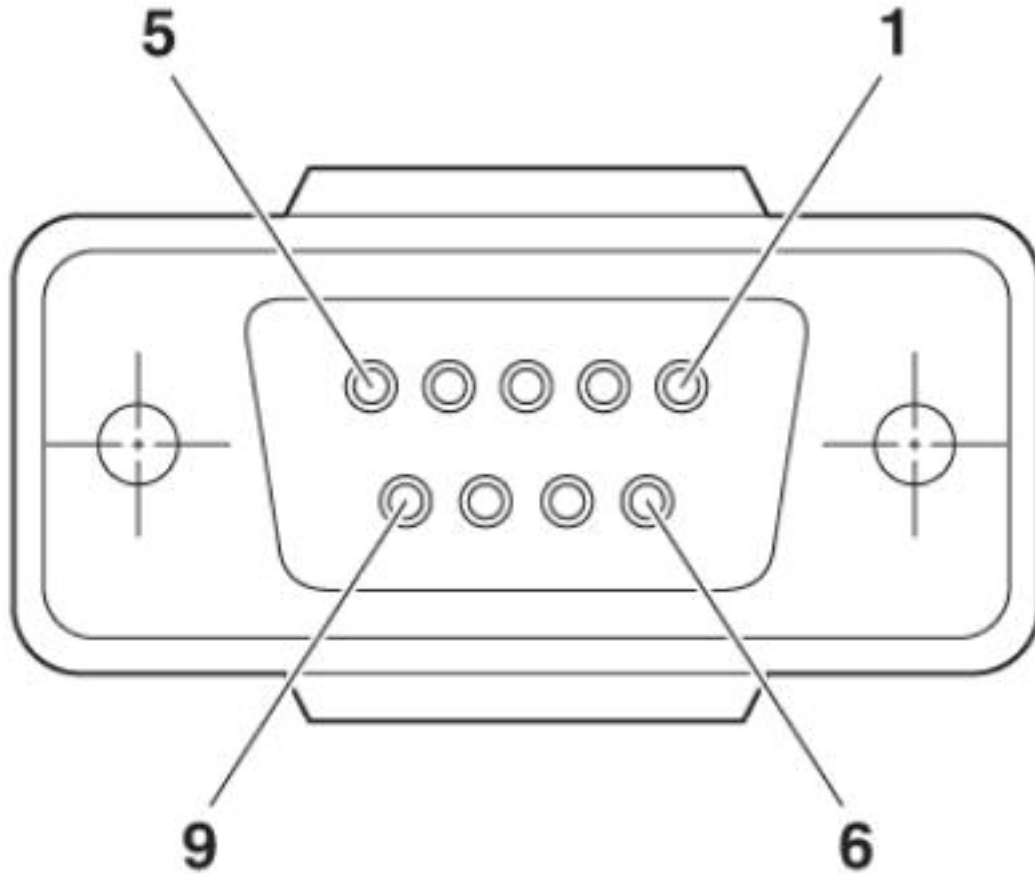
## D-SUB cable - VS-09-DSUB-20-LI-5,0 - 1656259

Schematic diagram



# D-SUB cable - VS-09-DSUB-20-LI-5,0 - 1656259

Schematic diagram



Approvals

Approvals

---

Approvals

EAC / EAC

---

Ex Approvals

---

Approval details

EAC		B.01742
-----	--	---------

## D-SUB cable - VS-09-DSUB-20-LI-5,0 - 1656259

### Approvals

EAC



B.00767

Phoenix Contact 2019 © - all rights reserved  
<http://www.phoenixcontact.com>

PHOENIX CONTACT GmbH & Co. KG  
Flachsmarktstr. 8  
32825 Blomberg  
Germany  
Tel. +49 5235 300  
Fax +49 5235 3 41200  
<http://www.phoenixcontact.com>