

## Housing screw connection - SACC-M12-SCO NUT L 90 - 1432460

Please be informed that the data shown in this PDF Document is generated from our Online Catalog. Please find the complete data in the user's documentation. Our General Terms of Use for Downloads are valid (<http://phoenixcontact.com/download>)




M12-SPEEDCON housing screw connection for M12 female inserts, with flat gasket, for all Speedcon-compatible THR and wave soldering contact carriers

### Your advantages

- ✓ Easy device integration, thanks to mechanical port screw connections with threaded fastening
- ✓ Flexible PCB assembly: two-piece connectors for wave and THR soldering
- ✓ SPEEDCON fast locking system reduces cabling times



### Key Commercial Data

|                        |   |
|------------------------|---|
| Packing unit           | 10 pc   |
| Minimum order quantity | 10 pc   |
| GTIN                   | <br>4 046356 410731 |
| GTIN                   | 4046356410731   |

### Technical data

#### Ambient conditions

|                                 |   |
|---------------------------------|---|
| Ambient temperature (operation) | -25 °C ... 85 °C (Plug / socket)                |
|                                 | -40 °C ... 85 °C (without mechanical actuation) |
|                                 | -25 °C ... 85 °C (Plug / socket)                |
| Degree of protection            | IP67 (correctly plugged in and locked)          |

#### General

|                       |                                     |
|-----------------------|-------------------------------------|
| Standards/regulations | IEC 61076-2-101                     |
| Torque                | 1.5 Nm ... 2 Nm (Installation-side) |
| Mounting type         | M12 x 1                             |
| Thread type           | M12 x 1                             |

#### Material

|                  |      |
|------------------|------|
| Contact material | CuZn |
|------------------|------|

# Housing screw connection - SACC-M12-SCO NUT L 90 - 1432460

## Technical data

### Material

|                          |                               |
|--------------------------|-------------------------------|
| Contact surface material | Ni/Au                         |
| Contact carrier material | PA 6.6                        |
| Material of grip body    | Zinc die-cast, nickel-plated  |
| Material, knurts         | Zinc die-cast, nickel-plated  |
| Material                 | Zinc die-cast (nickel-plated) |
| Sealing material         | EPDM (Internal O-ring)        |
|                          | HNBR (Flat gasket)            |

### Cable

|                                 |   |
|---------------------------------|---|
| Standards/specifications        | IEC 61076-2-101                                 |
| Ambient temperature (operation) | -40 °C ... 85 °C (cable, fixed installation)    |
|                                 | -25 °C ... 85 °C (Cable, flexible installation) |

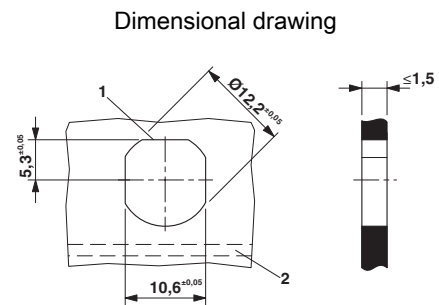
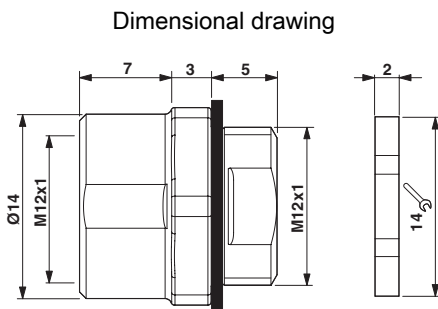
### Standards and Regulations

|                          |                 |
|--------------------------|-----------------|
| Standards/specifications | IEC 61076-2-101 |
|--------------------------|-----------------|

### Environmental Product Compliance

|            |  |
|------------|--|
| REACH SVHC | Lead 7439-92-1   |
| China RoHS | Environmentally Friendly Use Period = 50 years   |
|            | For information on hazardous substances, refer to the manufacturer's declaration available under "Downloads" |

## Drawings



Housing cutout for M12 fastening thread, mounting panel with feed-through hole (alternative with surface as protection against rotation)

## Classifications

### eCl@ss

|               |          |
|---------------|----------|
| eCl@ss 10.0.1 | 27440102 |
| eCl@ss 11.0   | 27440102 |
| eCl@ss 4.0    | 27140800 |
| eCl@ss 4.1    | 27140800 |
| eCl@ss 5.0    | 27143400 |

# Housing screw connection - SACC-M12-SCO NUT L 90 - 1432460

## Classifications

### eCl@ss

|            |          |
|------------|----------|
| eCl@ss 5.1 | 27143400 |
| eCl@ss 6.0 | 27279200 |
| eCl@ss 7.0 | 27440103 |
| eCl@ss 9.0 | 27440102 |

### ETIM

|          |          |
|----------|----------|
| ETIM 3.0 | EC002350 |
| ETIM 4.0 | EC002350 |
| ETIM 6.0 | EC002061 |
| ETIM 7.0 | EC002635 |

### UNSPSC

|               |          |
|---------------|----------|
| UNSPSC 6.01   | 31251501 |
| UNSPSC 7.0901 | 31251501 |
| UNSPSC 11     | 31251501 |
| UNSPSC 12.01  | 31251501 |
| UNSPSC 13.2   | 39121413 |
| UNSPSC 18.0   | 39121413 |
| UNSPSC 19.0   | 39121413 |
| UNSPSC 20.0   | 39121413 |

## Approvals

### Approvals

---

#### Approvals


EAC

---

#### Ex Approvals

---

### Approval details

|     |   |         |
|-----|---|---------|
| EAC |  | B.01687 |
|-----|---|---------|

---

Phoenix Contact 2022 © - all rights reserved  
<http://www.phoenixcontact.com>

PHOENIX CONTACT GmbH & Co. KG  
Flachsmarktstr. 8  
32825 Blomberg  
Germany  
Tel. +49 5235 300  
Fax +49 5235 3 41200  
<http://www.phoenixcontact.com>