

# Sensor/actuator cable - SAC-4P-10,0-PUR/DTFS - 1415011


Please be informed that the data shown in this PDF Document is generated from our Online Catalog. Please find the complete data in the user's documentation. Our General Terms of Use for Downloads are valid (<http://phoenixcontact.com/download>)



Sensor/actuator cable, 4-position, PUR halogen-free, black-gray RAL 7021, free cable end, on Socket straight DEUTSCH DT06-4S Clip locking, cable length: 10 m

RoHS

## Key Commercial Data

Packing unit	1 pc
GTIN	 4 055626 036878
GTIN	4055626036878

## Technical data

### Dimensions

Length of cable	10 m
-----------------	------

### Ambient conditions

Ambient temperature (operation)	-20 °C ... 80 °C (Plug / socket)
Degree of protection	IP67

### General

Rated current at 40°C	8 A
Rated voltage	48 V AC 48 V DC
Number of positions	4
Color handle area	black
Insulation resistance	≥ 100 MΩ
Coding	A - standard
Status display	No
Protective circuit/component	unwired

### Material

Flammability rating according to UL 94	V2
--	----

# Sensor/actuator cable - SAC-4P-10,0-PUR/DTFS - 1415011

## Technical data

### Material

Contact material	Cu alloy
Contact surface material	Nickel-plated
Contact carrier material	PA 6.6
Material of grip body	PA
Material, knurls	not available
Sealing material	Silicon

### Standards and Regulations

Flammability rating according to UL 94	V2
--	----

### Cable

Cable type	PUR halogen-free black
Cable type (abbreviation)	PUR
Cable abbreviation	Li9Y11Y
UL AWM style	20549 / 10152 (80°C/300 V)
Conductor cross section	4x 0.75 mm <sup>2</sup> (Signal line)
AWG signal line	18
Conductor structure signal line	42x 0.15 mm
Core diameter including insulation	1.69 mm ±0.05 mm (Signal line)
Thickness, insulation	≥ 0.21 mm
Wire colors	brown, blue, black, white
Overall twist	4 wires, twisted
External sheath, color	black-gray RAL 7021
Outer sheath thickness	≥ 0.38 mm
External cable diameter D	5.7 mm ±0.15 mm
Minimum bending radius, fixed installation	5 x D
Minimum bending radius, flexible installation	10 x D
Number of bending cycles	4000000
Bending radius	48 mm
Traversing path	10 m
Traversing rate	3 m/s
Acceleration	10 m/s <sup>2</sup>
Cable weight	51 kg/km
Outer sheath, material	PUR
Material conductor insulation	PP
Conductor material	Bare Cu litz wires
Insulation resistance	≥ 1 GΩ*km (at 20 °C)
Conductor resistance	≤ 26 Ω/km (at 20 °C)
Nominal voltage, cable	≤ 300 V AC
Test voltage, cable	≥ 3000 V AC (Spark test)
Special properties	flexible
	Flexible cable conduit capable

## Sensor/actuator cable - SAC-4P-10,0-PUR/DTFS - 1415011

### Technical data

#### Cable

Flame resistance	according to UL 758/1581 (horizontal)
	in accordance with UL 758/1581 FT2
	according to DIN EN 60332-2-2
Halogen-free	in accordance with DIN VDE 0472 part 815
	in accordance with DIN EN 50267-2-1
Resistance to oil	According to DIN EN 60811-2-1, 168 h at 100°C
	According to UL 758, 168 h at 60°C
Other resistance	hydrolysis and microbe resistant
	partly UV-resistant in accordance with DIN EN ISO 4892-2-A
	Low adhesion
	abrasion-resistant
Ambient temperature (operation)	-40 °C ... 80 °C (cable, fixed installation)
	-25 °C ... 80 °C (cable, flexible installation)

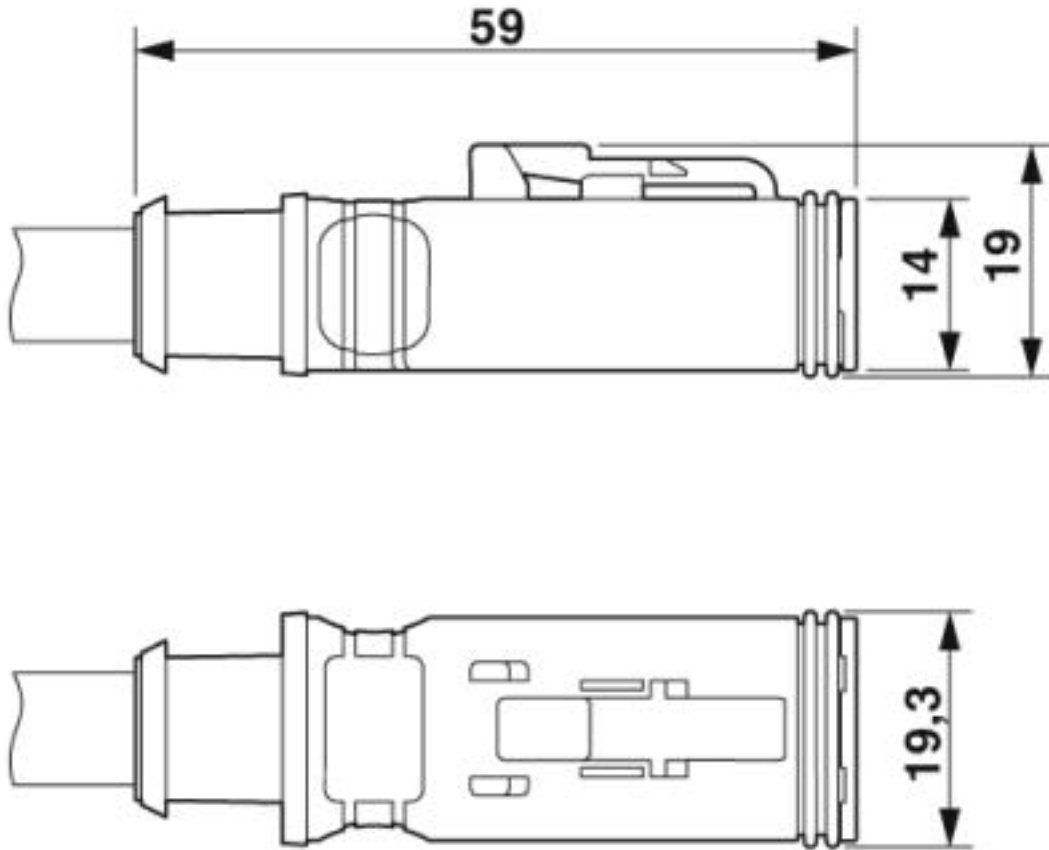
#### Environmental Product Compliance

China RoHS	Environmentally friendly use period: unlimited = EFUP-e
	No hazardous substances above threshold values

#### Drawings

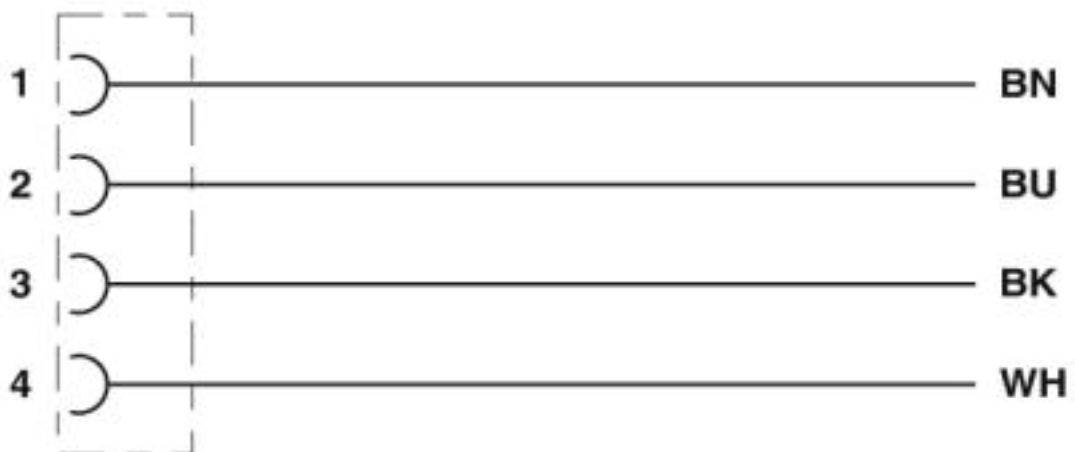
# Sensor/actuator cable - SAC-4P-10,0-PUR/DTFS - 1415011

Dimensional drawing



DEUTSCH DT06-4S, top view and side view

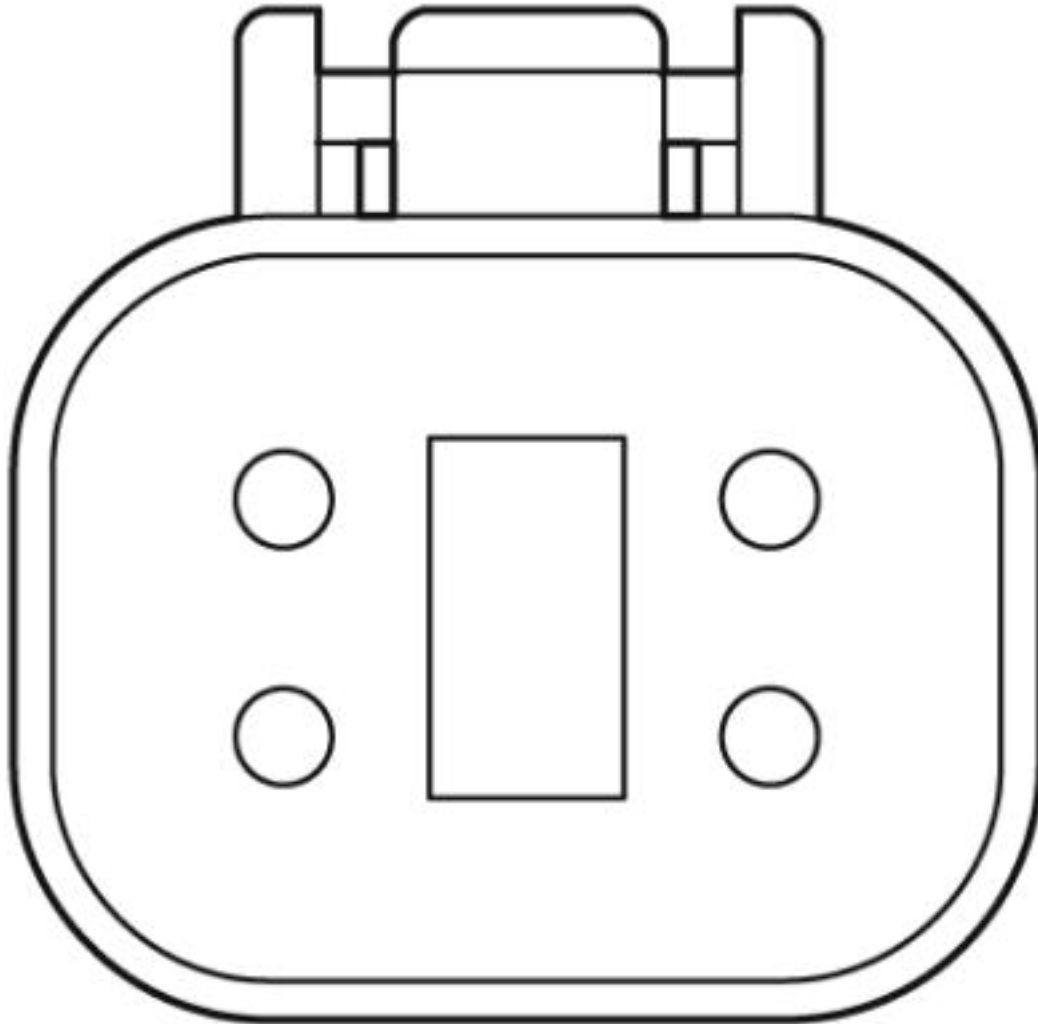
Circuit diagram



Contact assignment of the DEUTSCH DT06-4S

## Sensor/actuator cable - SAC-4P-10,0-PUR/DTFS - 1415011

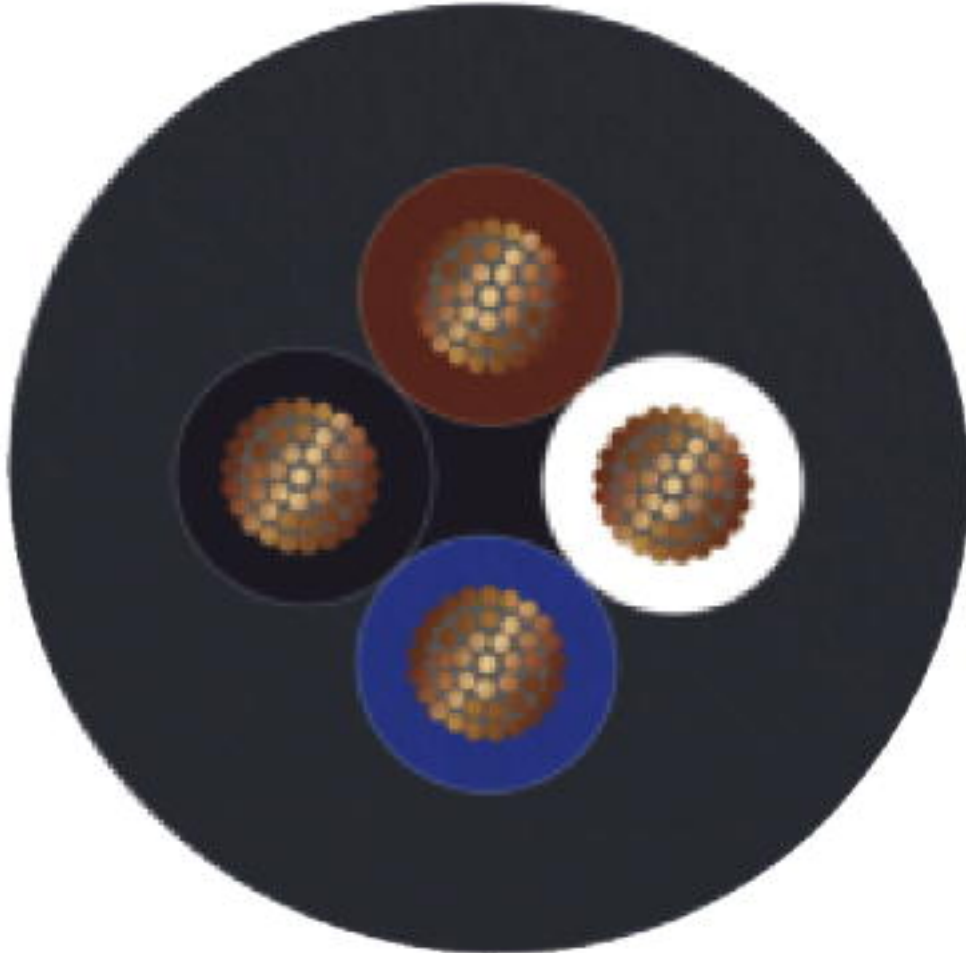
Schematic diagram



DEUTSCH DT06-4S pin assignment

## Sensor/actuator cable - SAC-4P-10,0-PUR/DTFS - 1415011

Cable cross section



PUR halogen-free black [PUR]

---

Phoenix Contact 2019 © - all rights reserved  
<http://www.phoenixcontact.com>

PHOENIX CONTACT GmbH & Co. KG  
Flachsmarktstr. 8  
32825 Blomberg  
Germany  
Tel. +49 5235 300  
Fax +49 5235 3 41200  
<http://www.phoenixcontact.com>